



Technical Data

End Suction Pump - EAZS80/26-75002

Revision no. _____

Page: 1

Receiver	From

Company name
 Respons. Department
 Person in charge
 Phone number
 Fax no
 E-mail address

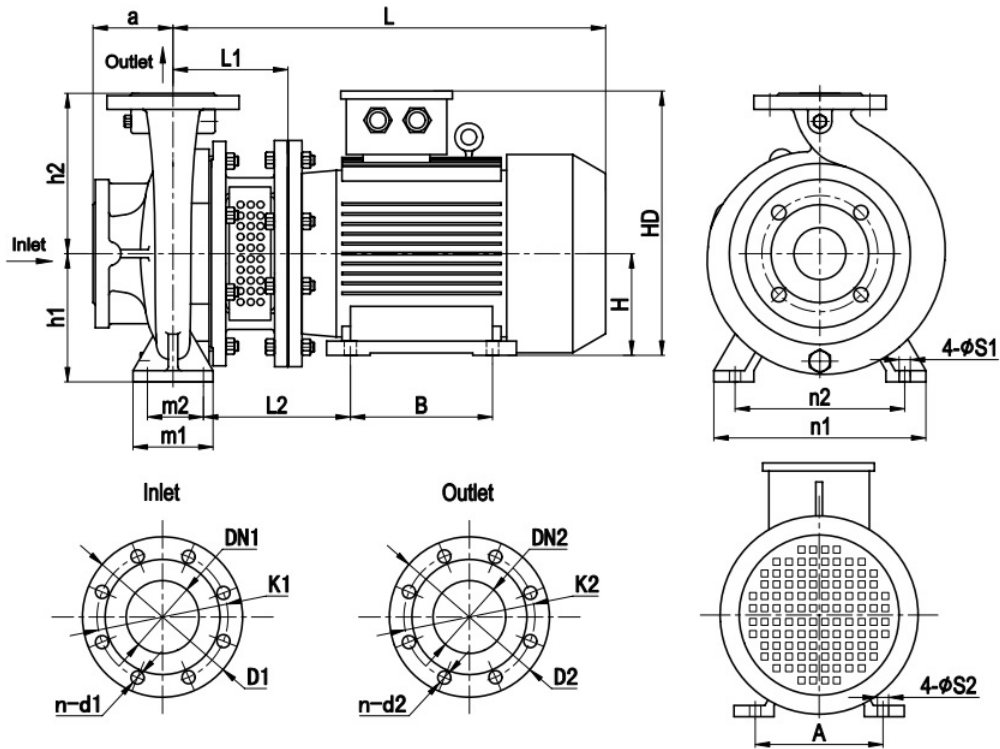


Brand: Gol Pumps
Model: EAZS80/26-75002

Motor (B35)	
Model	hp
Y2-280S-2	100

Weight (lb)		
Pump	Motor	Pump & motor
231	1069	1299

Dimensions:



ISO7005.2 DIN2501 PN16 GB/T17241.6 PN1.6									
DN1 / DN2	1.25	1.5	2	2.5	3	4	5	6	8
D1 / D2	5.51	5.91	6.50	7.28	7.87	8.66	9.84	11.22	13.39
K1 / K2	3.94	4.33	4.92	5.71	6.30	7.09	8.27	9.45	11.61
n-d1 / n-d2	4-Ø18	4-Ø18	4-Ø18	4-Ø18	8-Ø18	8-Ø18	8-Ø18	8-Ø22	12-Ø22

Inlet and outlet flange	
DN1	DN2
4	3

Pump installation size (inch)															
a	h1	h2	L1	L2	L	A	B	H	HD	m1	m2	n1	n2	S1	S2
4.9	7.9	11	10.7	15.8	44	18	14.5	11	26.8	6.3	4.7	15.7	12.4	0.7	0.9

Project	Project ID	Created by	Created on	Last update
---------	------------	------------	------------	-------------



Performance Curves

End Suction Pump - EAZS80/26-75002

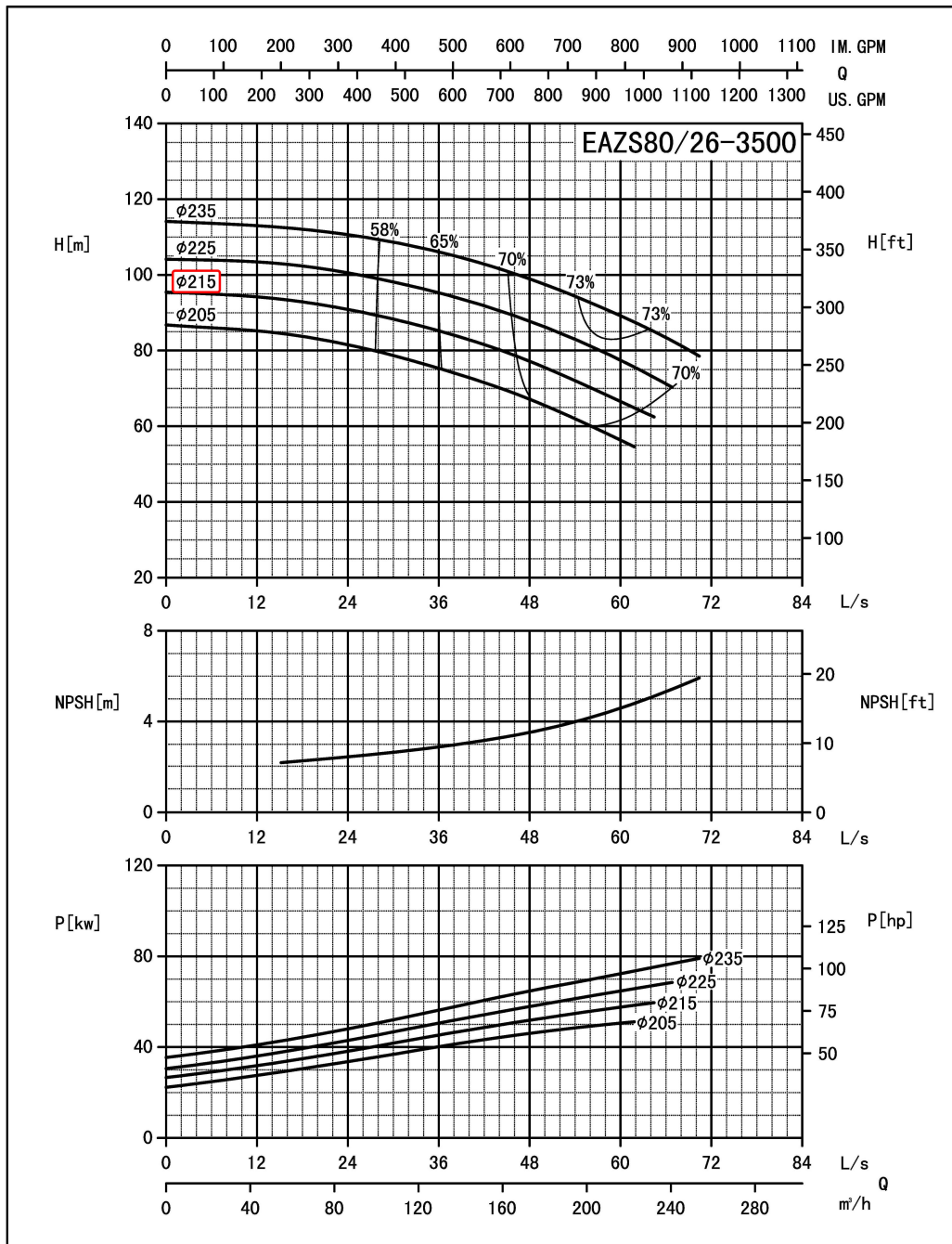
Revision no. _____

Page: 2

Receiver	From

Company name _____
 Respons. Department _____
 Person in charge _____
 Phone number _____
 Fax no _____
 E-mail address _____

Model	Capacity		Head	Speed	Power (kw)		Motor (hp)	Efficiency	Impeller Diam.	(NPSH) r
	m ³ /h	gpm	ft	r/min	Shaft	Motor		%	inch	ft
EAZS80/26-75002	112.1	493.4	287.2	3500	43.8	55	75	61	8.5	12.8
	186.8	822.3	240.4		52.8	75	100	70.5		16.4
	224.1	986.7	212.7		56.5	75	100	70		19.7



Performance to ISO9906 Grade 2 for clean cold water only

EF•A01/1406

Project	Project ID	Created by	Created on	Last update