



# Technical Data

## End Suction Pump - EAZS80/40-30004

Revision no. \_\_\_\_\_

Page: 1

Company name  
 Respons. Department  
 Person in charge  
 Phone number  
 Fax no  
 E-mail address

Receiver

From

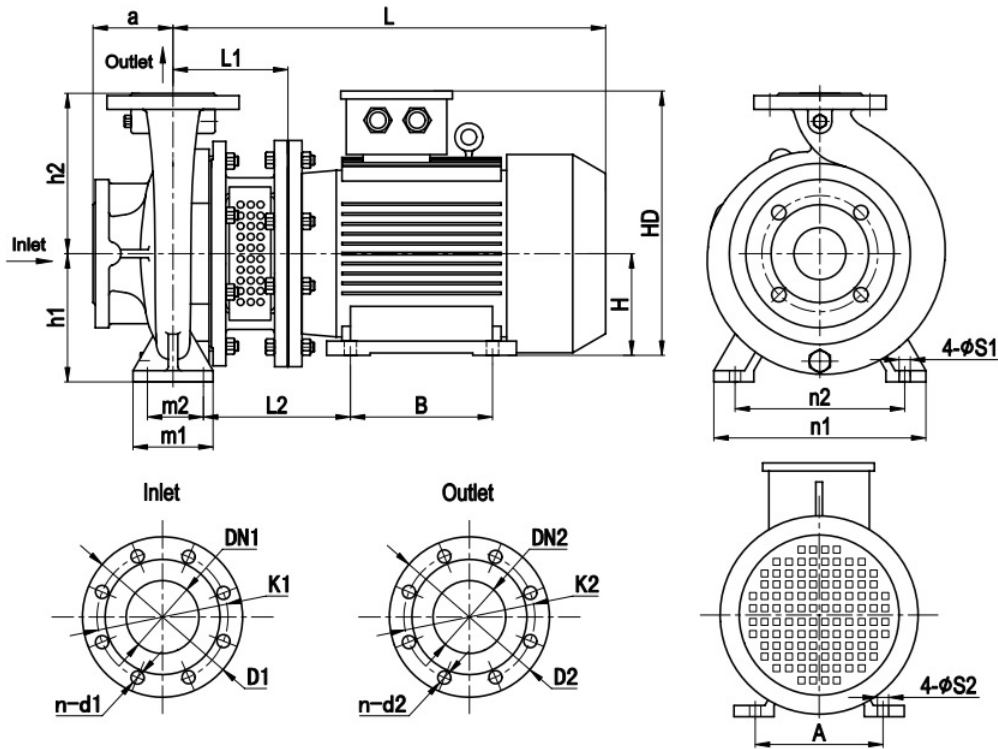


**Brand: Gol Pumps**  
**Model: EAZS80/40-30004**

| Motor (B35) |    |
|-------------|----|
| Model       | hp |
| Y2-200L-4   | 40 |

| Weight (lb) |       |              |
|-------------|-------|--------------|
| Pump        | Motor | Pump & motor |
| 326         | 528   | 855          |

### Dimensions:



| ISO7005.2 DIN2501 PN16 GB/T17241.6 PN1.6 |       |       |       |       |       |       |       |       |        |
|--|-------|-------|-------|-------|-------|-------|-------|-------|--------|
| DN1 / DN2                                | 1.25  | 1.5   | 2     | 2.5   | 3     | 4     | 5     | 6     | 8      |
| D1 / D2                                  | 5.51  | 5.91  | 6.50  | 7.28  | 7.87  | 8.66  | 9.84  | 11.22 | 13.39  |
| K1 / K2                                  | 3.94  | 4.33  | 4.92  | 5.71  | 6.30  | 7.09  | 8.27  | 9.45  | 11.61  |
| n-d1 / n-d2                              | 4-Ø18 | 4-Ø18 | 4-Ø18 | 4-Ø18 | 8-Ø18 | 8-Ø18 | 8-Ø18 | 8-Ø22 | 12-Ø22 |

| Inlet and outlet flange |     |
|-------------------------|-----|
| DN1                     | DN2 |
| 4                       | 3   |

| Pump installation size (inch) |    |    |     |      |      |      |    |     |      |     |     |      |      |     |     |
|-------------------------------|----|----|-----|------|------|------|----|-----|------|-----|-----|------|------|-----|-----|
| a                             | h1 | h2 | L1  | L2   | L    | A    | B  | H   | HD   | m1  | m2  | n1   | n2   | S1  | S2  |
| 4.9                           | 11 | 14 | 9.8 | 12.7 | 35.8 | 12.5 | 12 | 7.9 | 19.9 | 6.3 | 4.7 | 15.7 | 13.4 | 0.7 | 0.7 |

|         |            |            |            |             |
|---------|------------|------------|------------|-------------|
| Project | Project ID | Created by | Created on | Last update |
|---------|------------|------------|------------|-------------|



# Performance Curves

## End Suction Pump - EAZS80/40-30004

Revision no.

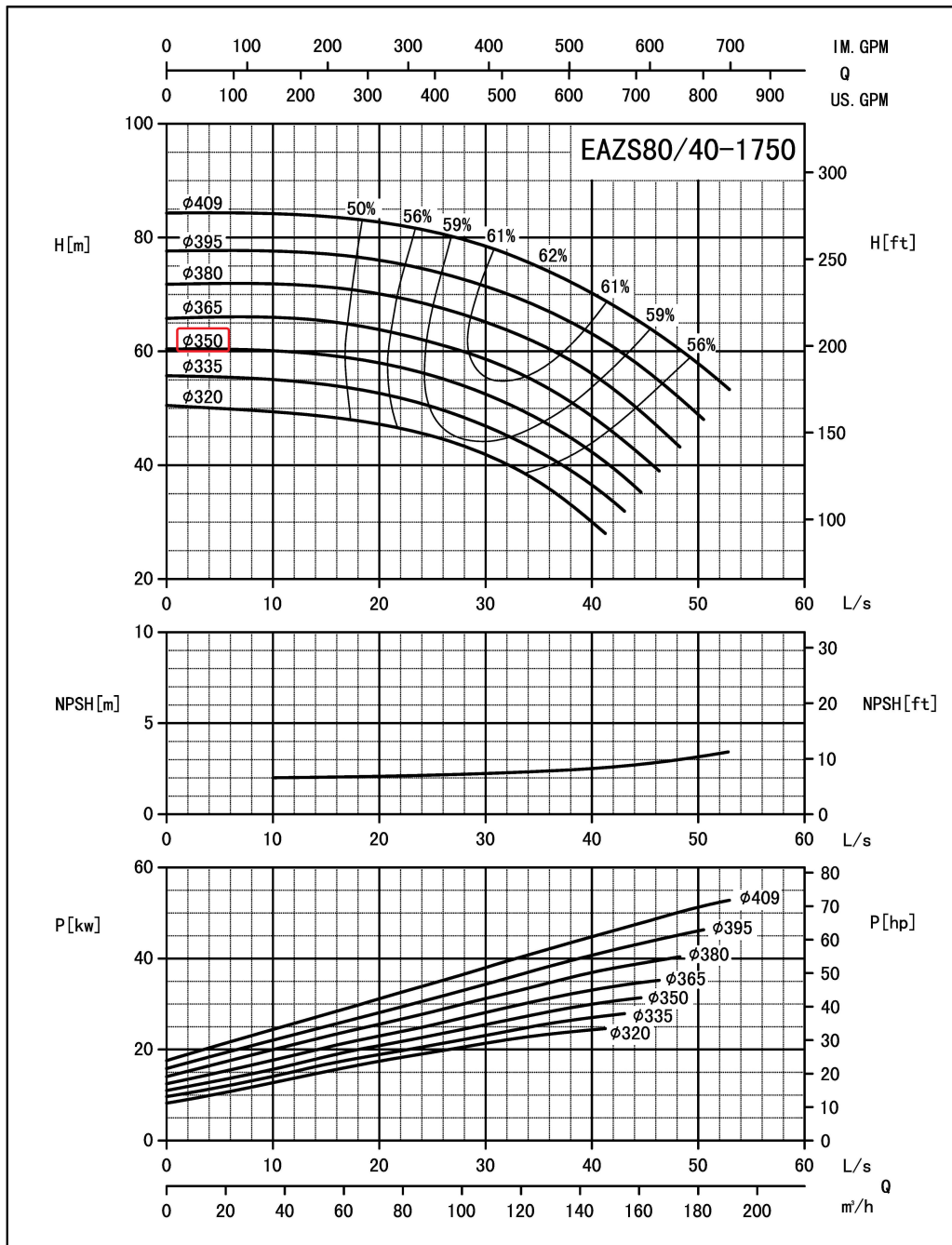
 Page:  
2

Receiver

From

 Company name  
 Respons. Department  
 Person in charge  
 Phone number  
 Fax no  
 E-mail address

| Model           | Capacity          |       | Head<br>ft | Speed<br>r/min | Power (kw) |       | Motor (hp) | Efficiency<br>% | Impeller Diam.<br>inch | (NPSH) r<br>ft |
|-----------------|-------------------|-------|------------|----------------|------------|-------|------------|-----------------|------------------------|----------------|
|                 | m <sup>3</sup> /h | gpm   |            |                | Shaft      | Motor |            |                 |                        |                |
| EAZS80/40-30004 | 62                | 272.9 | 192.1      | 1750           | 19.4       | 30    | 7          | 51              | 13.8                   | 7.2            |
|                 | 103.3             | 454.8 | 174.4      |                | 24.8       | 30    | 10         | 60.4            |                        | 7.6            |
|                 | 123.9             | 545.7 | 159.1      |                | 27.7       | 30    | 10         | 59.2            |                        | 9.2            |



Performance to ISO9906 Grade 2 for clean cold water only

EF•A01/1406

Project

Project ID

Created by

Created on

Last update