



Technical Data

Vertical In-line Pump - EG100-8016-04004

Revision no.

Page:
 1

Company name
 Respons. Department
 Person in charge
 Phone number
 Fax no
 E-mail address

Receiver

From

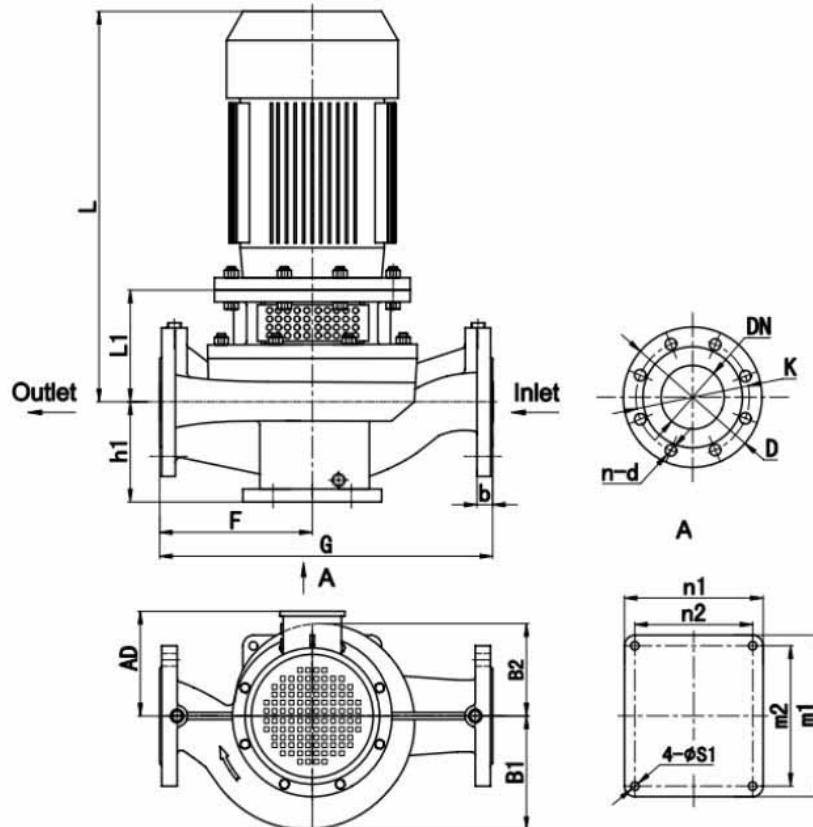


Brand: Gol Pumps
Model: EG100-8016-04004

Motor (V1)	
Model	hp
Y2-112M-4	5.5

Weight (lb)		
Pump	Motor	Pump & motor
128	104	231

Dimensions:



Pump installation size (inch)															
h1	L1	F	G	L	AD	B1	B2	n2 x m2	n1 x m1	s1	DN	D	K	n - d	b
7.4	6.5	10.2	21.3	19.8	7.5	6.6	5.4	6.7 x 7.9	7.9 x 9.1	0.6	3.9	8.7	7.1	8-φ18	0.9

Project	Project ID	Created by	Created on	Last update
---------	------------	------------	------------	-------------



Performance Curves

Vertical In-line Pump - EG100-8016-04004

Revision no.

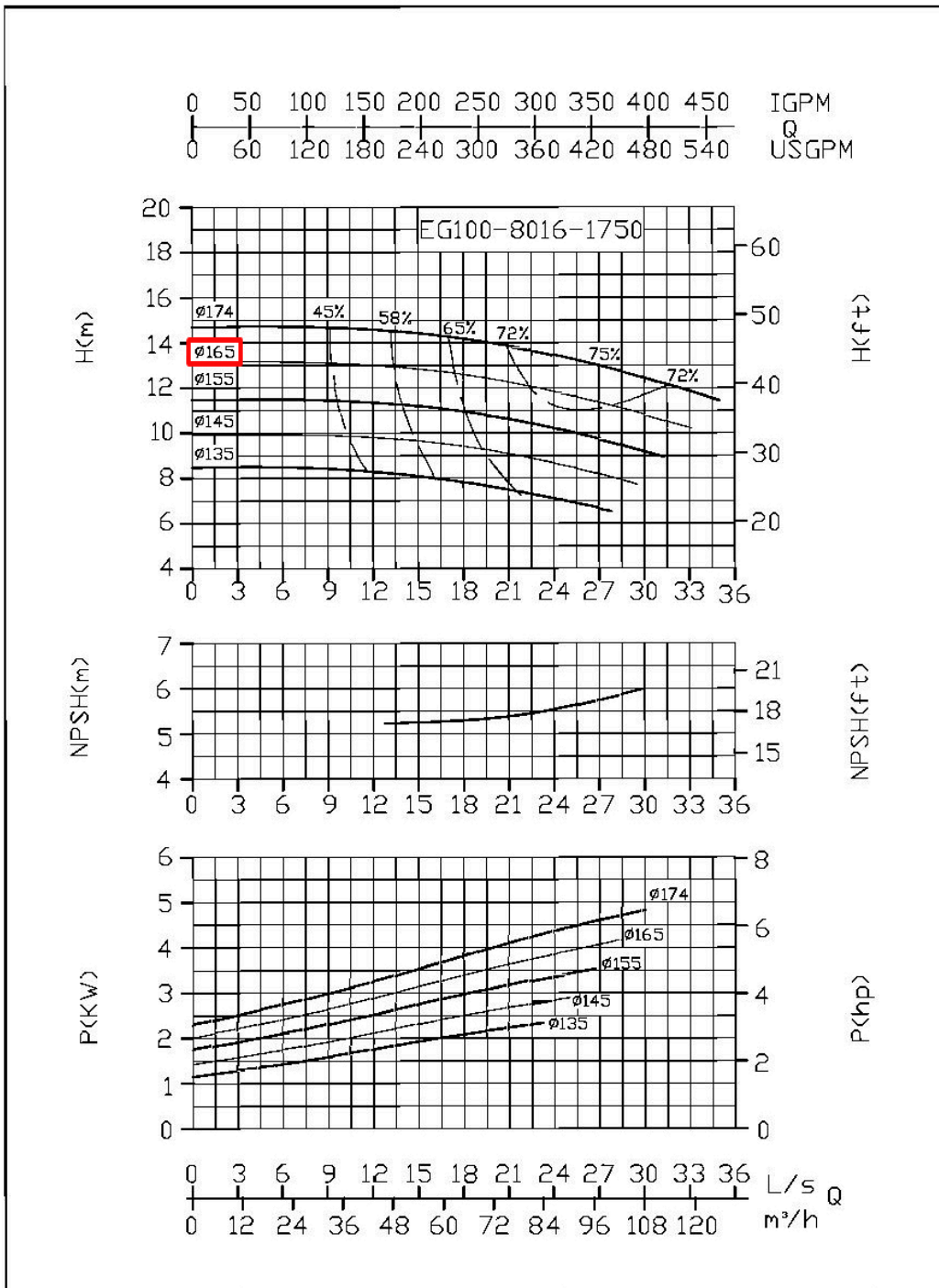
Page:
 2

Receiver

From

Company name
 Respons. Department
 Person in charge
 Phone number
 Fax no
 E-mail address

Model	Capacity			Head		Speed	Motor	Voltage	Phase	Impeller Diam.	
	m ³ /h	l/s	gpm	m	ft	r/min	hp	v		mm	inch
EG100-8016-04004	45.5	15.3	200.3	13	42	1750	4	230	1	165	6.5
	76	25.4	334.6	11	36		5.5				
	91	30.5	400.7	9.5	31.1		5.5				



Project	Project ID	Created by	Created on	Last update
---------	------------	------------	------------	-------------