



Technical Data

Vertical In-line Pump - EG100-8026-11004

Revision no.

 Page:
1

Receiver

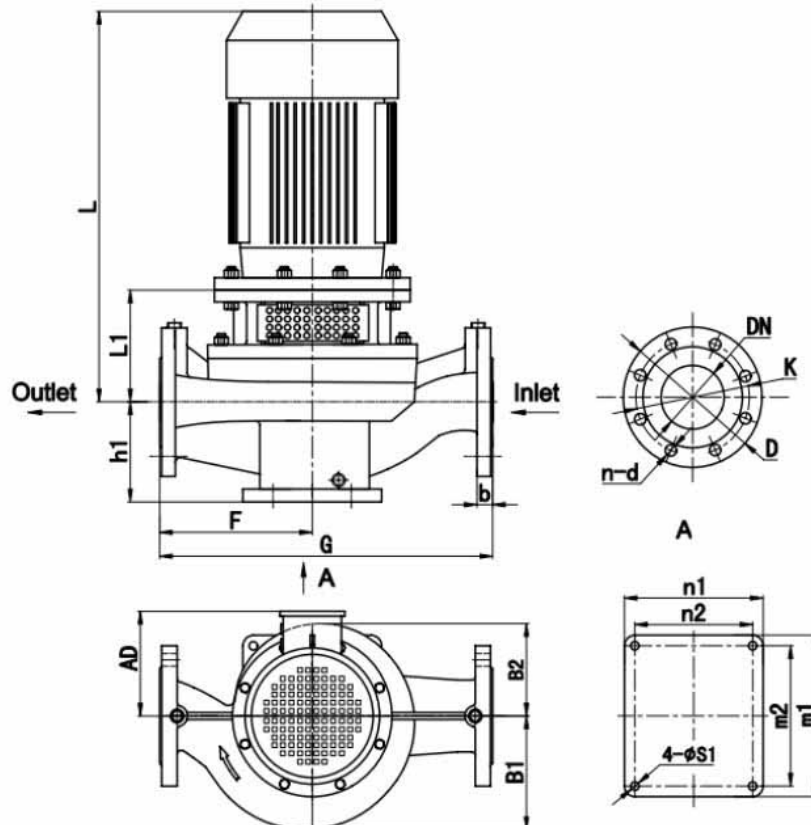
From

 Company name
 Respons. Department
 Person in charge
 Phone number
 Fax no
 E-mail address

 Brand: Gol Pumps
 Model: EG100-8026-11004

Motor (V1)	
Model	hp
Y2-160M-4	15

Weight (lb)		
Pump	Motor	Pump & motor
217.8	237.6	455.4

Dimensions:


Pump installation size (inch)

h1	L1	F	G	L	AD	B1	B2	n2 x m2	n1 x m1	s1	DN	D	K	n - d	b
7.4	9.2	12.2	24.8	29.1	10	8.2	7.2	6.7 x 7.9	7.9 x 9.1	0.6	3.9	8.7	7.1	8 - φ18	0.9

Project

Project ID

Created by

Created on

Last update



Performance Curves

Vertical In-line Pump - EG100-8026-11004

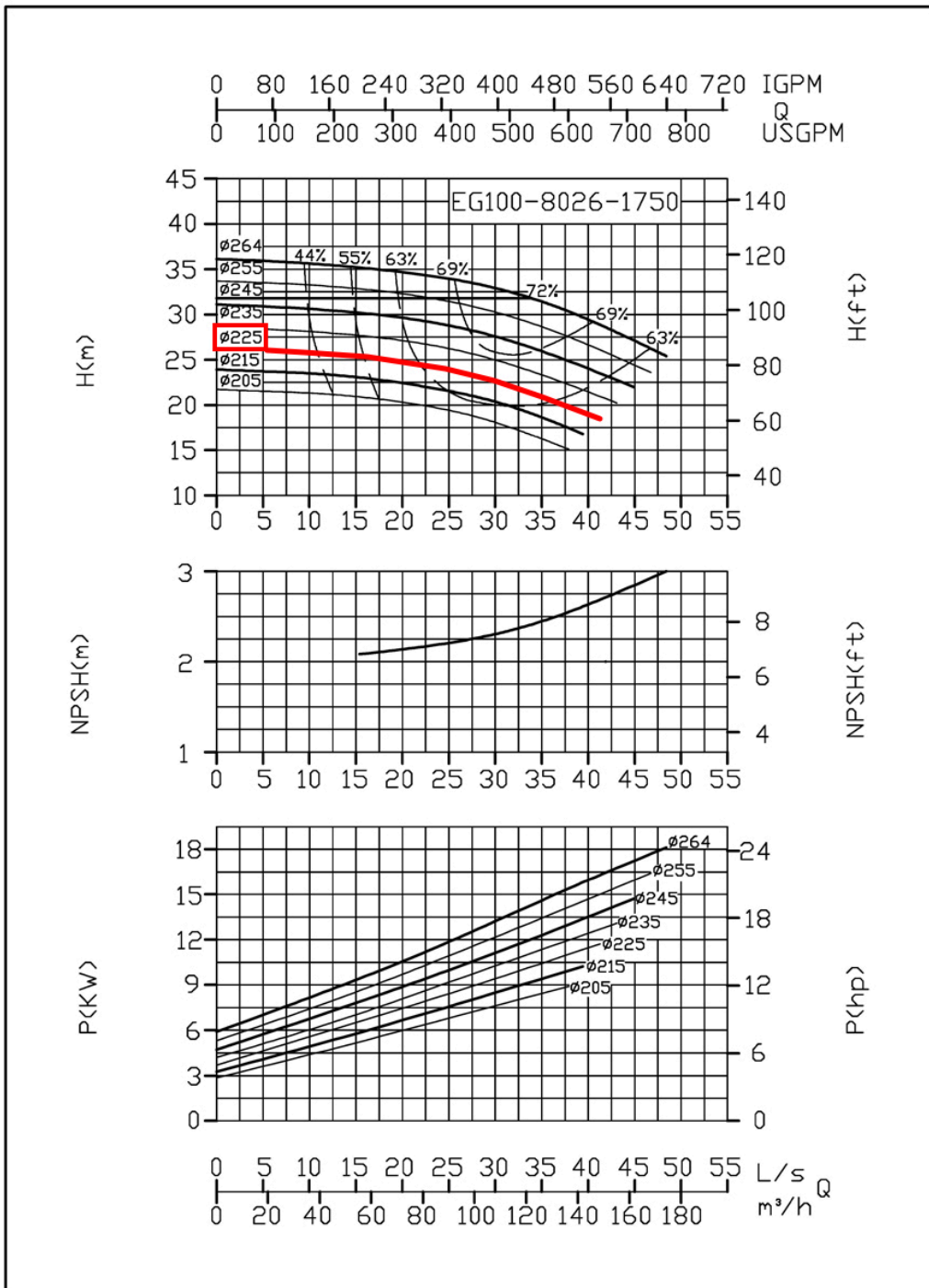
Revision no.

Page:
 2

Receiver From

Company name
 Respons. Department
 Person in charge
 Phone number
 Fax no
 E-mail address

Model	Capacity			Head		Speed	Motor	Voltage	Phase	Impeller Diam.	
	m ³ /h	l/s	gpm	m	ft	r/min	hp	v		mm	inch
EG100-8026-11004	48.6	16.3	214	25.6	84	1750	10	460	3	225	8.9
	81	27.1	356.6	22	72.2		15				
	97.2	32.57	428	19.2	63		15				



Project	Project ID	Created by	Created on	Last update
---------	------------	------------	------------	-------------