



Technical Data

Vertical In-line Pump - EG100-8040-30004

Revision no.

 Page:
1

Receiver

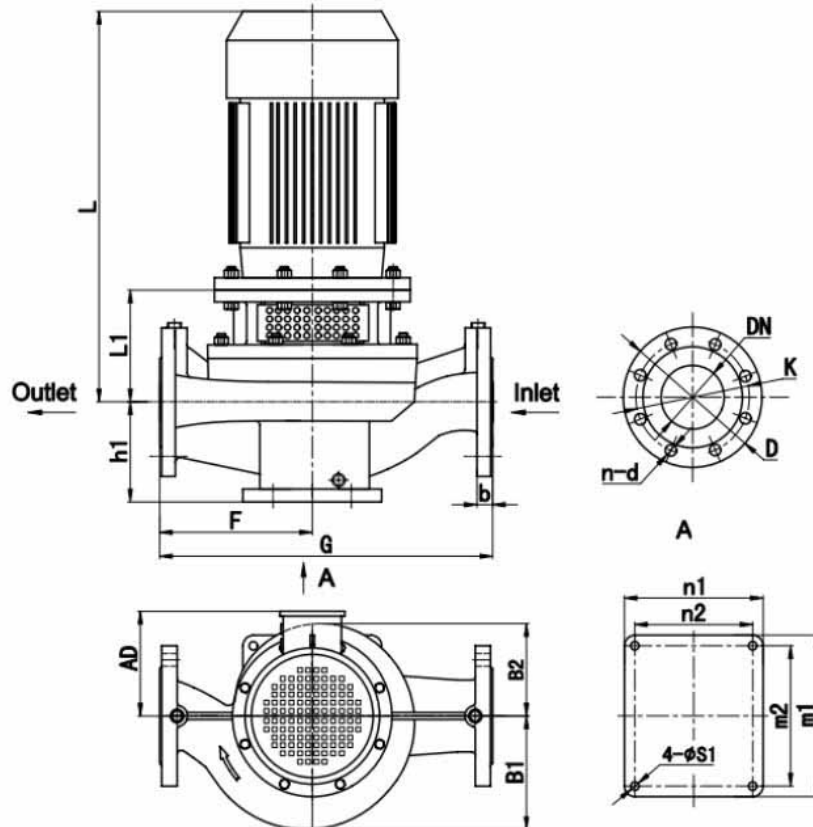
From

 Company name
 Respons. Department
 Person in charge
 Phone number
 Fax no
 E-mail address

 Brand: Gol Pumps
 Model: EG100-8040-30004

Motor (V1)	
Model	hp
Y2-200L-4	40

Weight (lb)		
Pump	Motor	Pump & motor
434	529	963

Dimensions:


Pump installation size (inch)

h1	L1	F	G	L	AD	B1	B2	n2 x m2	n1 x m1	s1	DN	D	K	n - d	b
8.7	9.8	15.7	31.5	35.8	12	10.4	9.8	12.2 x 12.2	14.6 x 14.6	0.7	3.9	8.7	7.1	8 - $\phi 18$	0.9

Project

Project ID

Created by

Created on

Last update



Performance Curves

Vertical In-line Pump - EG100-8040-30004

Revision no.

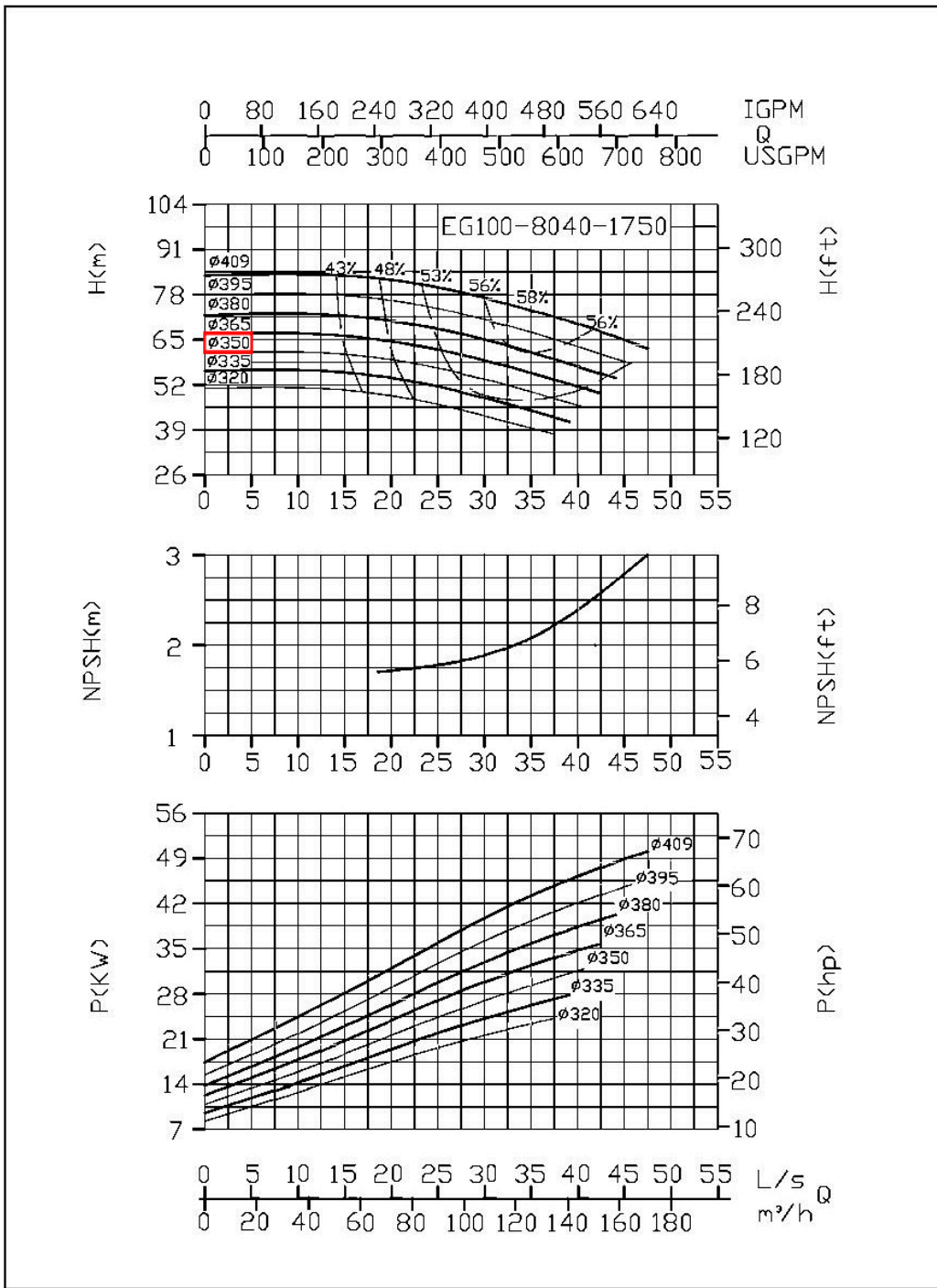
Page:
 2

Receiver

From

Company name
 Respons. Department
 Person in charge
 Phone number
 Fax no
 E-mail address

Model	Capacity			Head		Speed	Motor	Voltage	Phase	Impeller Diam.	
	m ³ /h	l/s	gpm	m	ft	r/min	hp	v		mm	inch
EG100-8040-30004	62	17.2	272.9	59	192.1	1750	40	460	3	350	13.8
	103.3	29	454.8	53.2	174.4		40				
	124	34.4	545.9	48.5	159.1		40				



Project	Project ID	Created by	Created on	Last update
---------	------------	------------	------------	-------------