



Technical Data

Vertical In-line Pump - EG125-10020-07504

Revision no.

Page:
 1

Company name
 Respons. Department
 Person in charge
 Phone number
 Fax no
 E-mail address

Receiver

| |
|--|
| |
| |
| |
| |
| |
| |

From

| |
|--|
| |
| |
| |
| |
| |
| |

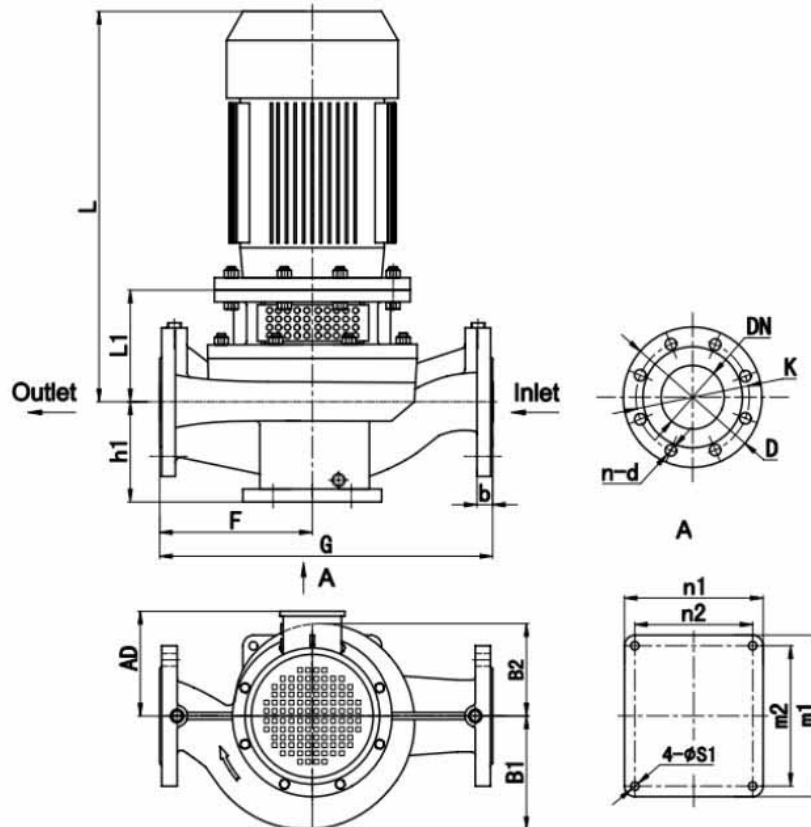


Brand: Gol Pumps
Model: EG125-10020-07504

| Motor (V1) | |
|------------|----|
| Model | hp |
| Y2-132M-4 | 10 |

| Weight (lb) | | |
|-------------|-------|--------------|
| Pump | Motor | Pump & motor |
| 218 | 174 | 392 |

Dimensions:



| Pump installation size (inch) | | | | | | | | | | | | | | | |
|-------------------------------|----|----|------|------|-----|-----|-----|-----------|------------|-----|-----|-----|-----|---------|---|
| h1 | L1 | F | G | L | AD | B1 | B2 | n2 x m2 | n1 x m1 | s1 | DN | D | K | n - d | b |
| 8.7 | 8 | 13 | 26.8 | 24.9 | 8.3 | 8.2 | 6.7 | 7.9 x 9.8 | 9.8 x 11.8 | 0.7 | 4.9 | 9.8 | 8.3 | 8 - φ18 | 1 |

| | | | | |
|---------|------------|------------|------------|-------------|
| Project | Project ID | Created by | Created on | Last update |
|---------|------------|------------|------------|-------------|



Performance Curves

Vertical In-line Pump - EG125-10020-07504

Revision no.

Page:
 2

Receiver

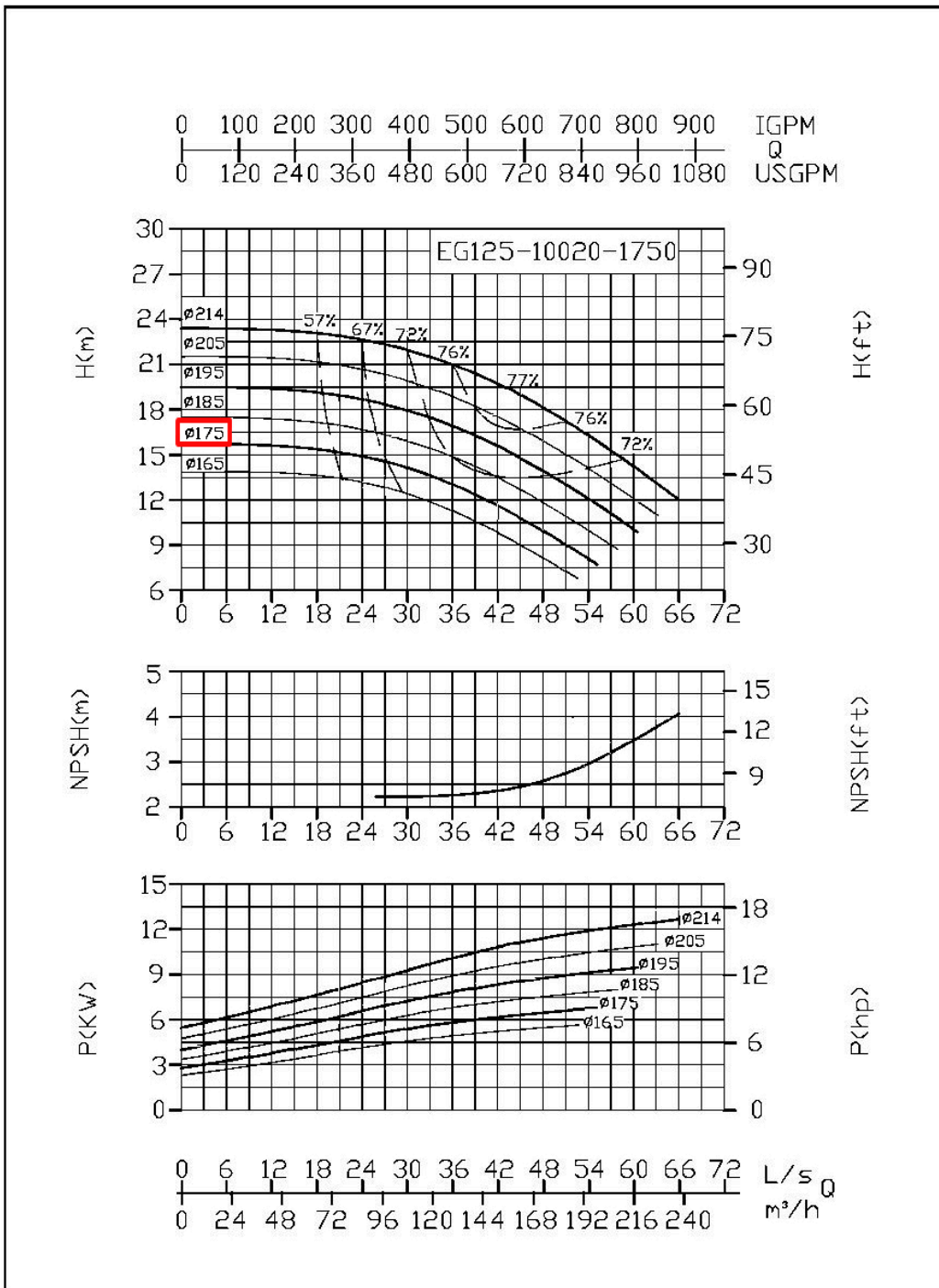
From

Company name
 Respons. Department
 Person in charge
 Phone number
 Fax no
 E-mail address

| |
|--|
| |
| |
| |
| |
| |

| |
|--|
| |
| |
| |
| |
| |

| Model | Capacity | | | Head | | Speed | Motor | Voltage | Phase | Impeller Diam. | |
|-------------------|-------------------|------|-------|------|------|-------|-------|---------|-------|----------------|------|
| | m ³ /h | l/s | gpm | m | ft | r/min | hp | v | | mm | inch |
| EG125-10020-07504 | 84.1 | 23.4 | 370.3 | 13.8 | 45.4 | 1750 | 7.5 | 460 | 3 | 175 | 6.9 |
| | 140.1 | 38.9 | 616.8 | 10.6 | 35 | | 10 | | | | |
| | 168.2 | 46.7 | 740.6 | 8.3 | 27.2 | | 10 | | | | |



| | | | | |
|---------|------------|------------|------------|-------------|
| Project | Project ID | Created by | Created on | Last update |
|---------|------------|------------|------------|-------------|