



Technical Data

Vertical In-line Pump - EG125-10020-15004

Revision no.

Page:
 1

Receiver	From

Company name
 Respons. Department
 Person in charge
 Phone number
 Fax no
 E-mail address

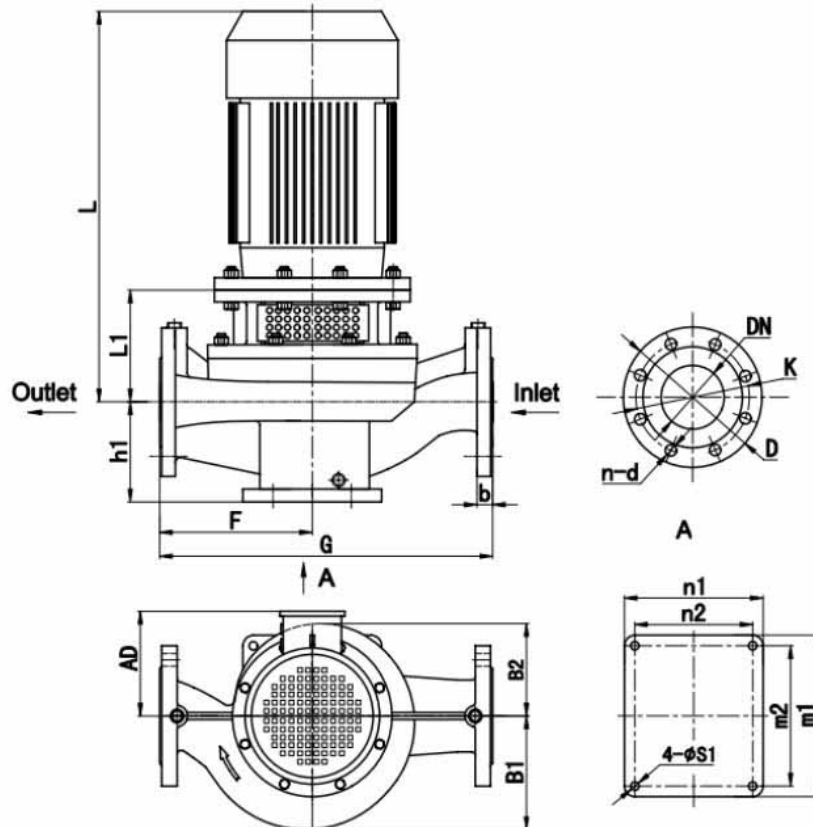


Brand: Gol Pumps
Model: EG125-10020-15004

Motor (V1)	
Model	hp
Y2-160L-4	20

Weight (lb)		
Pump	Motor	Pump & motor
227	282	509

Dimensions:



Pump installation size (inch)															
h1	L1	F	G	L	AD	B1	B2	n2 x m2	n1 x m1	s1	DN	D	K	n - d	b
8.7	9.2	13	26.8	31.3	10	8.2	6.7	7.9 x 9.8	9.8 x 11.8	0.7	4.9	9.8	8.3	8 - φ18	1

Project	Project ID	Created by	Created on	Last update
---------	------------	------------	------------	-------------



Performance Curves

Vertical In-line Pump - EG125-10020-15004

Revision no.

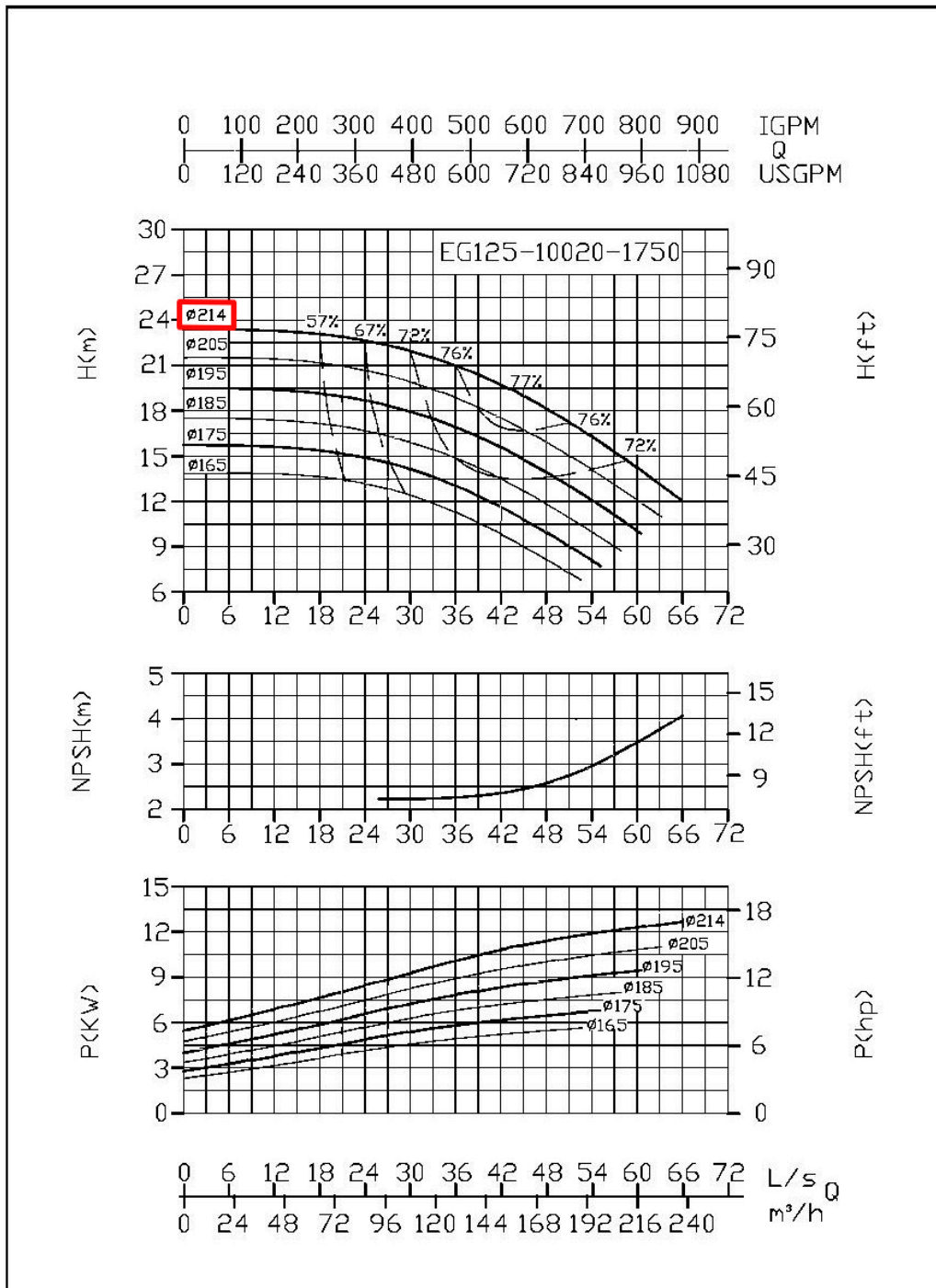
 Page:
2

Receiver

From

 Company name
 Respons. Department
 Person in charge
 Phone number
 Fax no
 E-mail address

Model	Capacity			Head		Speed	Motor	Voltage	Phase	Impeller Diam.	
	m ³ /h	l/s	gpm	m	ft	r/min	hp	v		mm	inch
EG125-10020-15004	102.8	28.6	452.6	22	71	1750	15	460	3	214	8.4
	171.4	47.6	754.7	19	62		20				
	205.6	57.1	905.2	16.2	53		20				



Project

Project ID

Created by

Created on

Last update