



# Technical Data

## Vertical In-line Pump - EG50-3216-01504

Revision no.

Page:  
 1

Receiver	From

Company name  
 Respons. Department  
 Person in charge  
 Phone number  
 Fax no  
 E-mail address

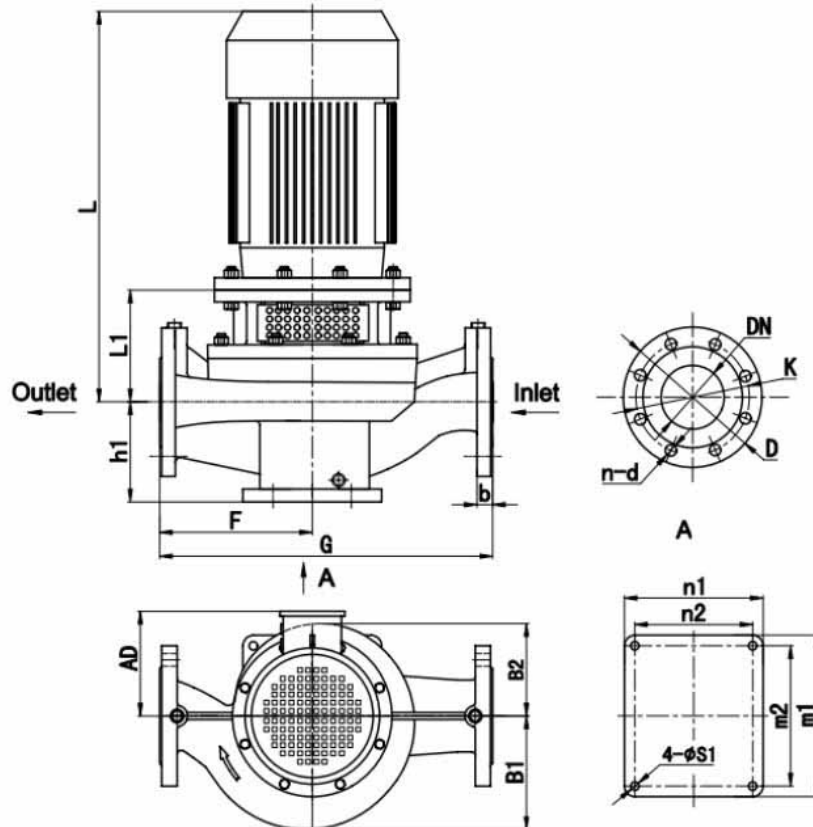


**Brand: Gol Pumps**  
**Model: EG50-3216-01504**

Motor (V1)	
Model	hp
Y2-90L-4	2

Weight (lb)		
Pump	Motor	Pump & motor
79	60	139

**Dimensions:**



Pump installation size (inch)															
h1	L1	F	G	L	AD	B1	B2	n2 x m2	n1 x m1	s1	DN	D	K	n - d	b
4.6	6	6.3	12.6	17.6	6.1	4.5	4.5	6.7 x 7.9	7.9 x 9.1	0.6	2	6.5	4.9	4 - φ18	0.8

Project	Project ID	Created by	Created on	Last update
---------	------------	------------	------------	-------------



# Performance Curves

## Vertical In-line Pump - EG50-3216-01504

Revision no. \_\_\_\_\_  
 \_\_\_\_\_

Page: 2

Receiver \_\_\_\_\_

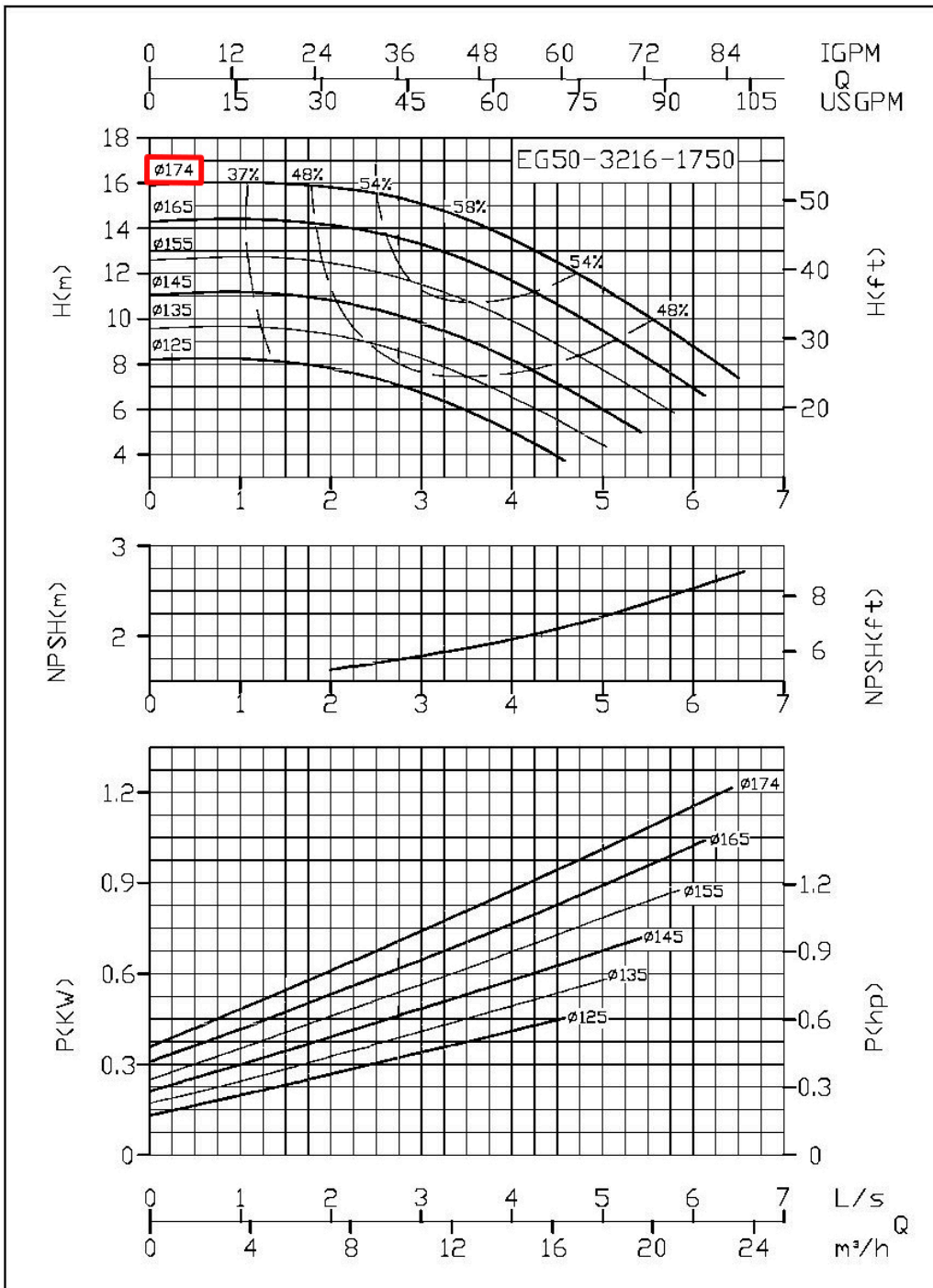
From \_\_\_\_\_

Company name \_\_\_\_\_  
 Respons. Department \_\_\_\_\_  
 Person in charge \_\_\_\_\_  
 Phone number \_\_\_\_\_  
 Fax no \_\_\_\_\_  
 E-mail address \_\_\_\_\_

\_\_\_\_\_

\_\_\_\_\_

Model	Capacity			Head		Speed	Motor	Voltage	Phase	Impeller Diam.	
	m <sup>3</sup> /h	l/s	gpm	m	ft	r/min	hp	v		mm	inch
EG50-3216-01504	5.2	2	22.9	15.4	51	1750	1.5	115	1	174	6.8
	9	3	39.6	15	48.3		2				
	10.4	3.5	45.8	14	45.4		2				



Project _____	Project ID _____	Created by _____	Created on _____	Last update _____
---------------	------------------	------------------	------------------	-------------------