



Technical Data

Vertical In-line Pump - EG50-3216-01504

Revision no.

Page:
 1

Company name
 Respons. Department
 Person in charge
 Phone number
 Fax no
 E-mail address

Receiver

From

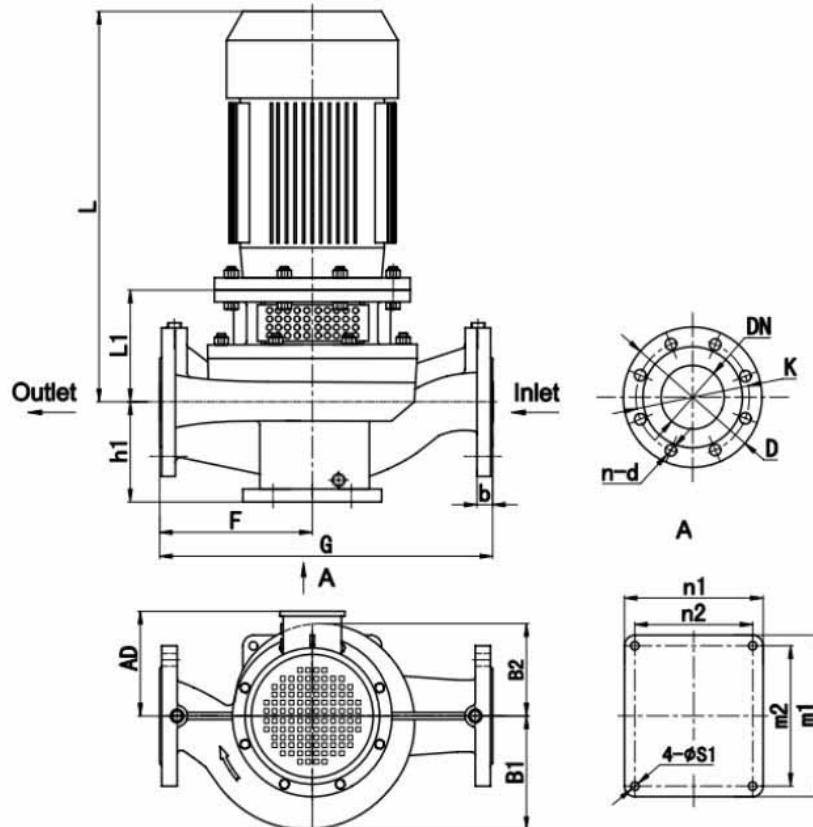


Brand: Gol Pumps
Model: EG50-3216-01504

Motor (V1)	
Model	hp
Y2-90L-4	2

Weight (lb)		
Pump	Motor	Pump & motor
79	60	139

Dimensions:



Pump installation size (inch)															
h1	L1	F	G	L	AD	B1	B2	n2 x m2	n1 x m1	s1	DN	D	K	n - d	b
4.6	6	6.3	12.6	17.6	6.1	4.5	4.5	6.7 x 7.9	7.9 x 9.1	0.6	2	6.5	4.9	4 - φ18	0.8

Project	Project ID	Created by	Created on	Last update
---------	------------	------------	------------	-------------



Performance Curves

Vertical In-line Pump - EG50-3216-01504

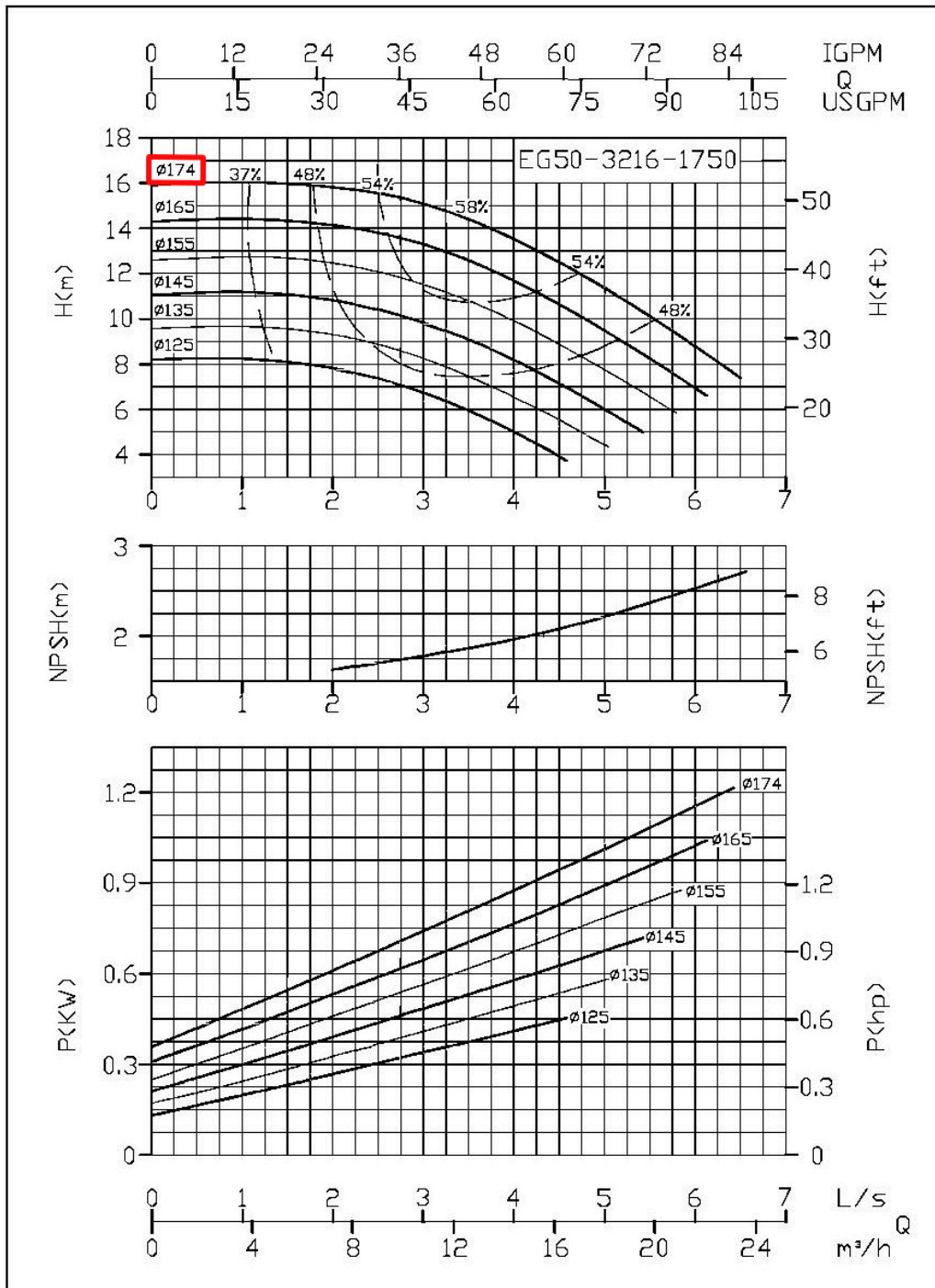
Revision no. _____

Page:
 2

Receiver	From

Company name
 Respons. Department
 Person in charge
 Phone number
 Fax no
 E-mail address

Model	Capacity			Head		Speed	Motor	Voltage	Phase	Impeller Diam.	
	m ³ /h	l/s	gpm	m	ft	r/min	hp	v		mm	inch
EG50-3216-01504	5.2	2	22.9	15.4	51	1750	1.5	265/460	3	174	6.8
	9	3	39.6	15	48.3		2				
	10.4	3.5	45.8	14	45.4		2				



Project	Project ID	Created by	Created on	Last update
---------	------------	------------	------------	-------------