



Technical Data

Vertical In-line Pump - EG50-3220-01104

Revision no.

Page:
 1

Company name
 Respons. Department
 Person in charge
 Phone number
 Fax no
 E-mail address

Receiver

| |
|--|
| |
| |
| |
| |
| |
| |

From

| |
|--|
| |
| |
| |
| |
| |
| |

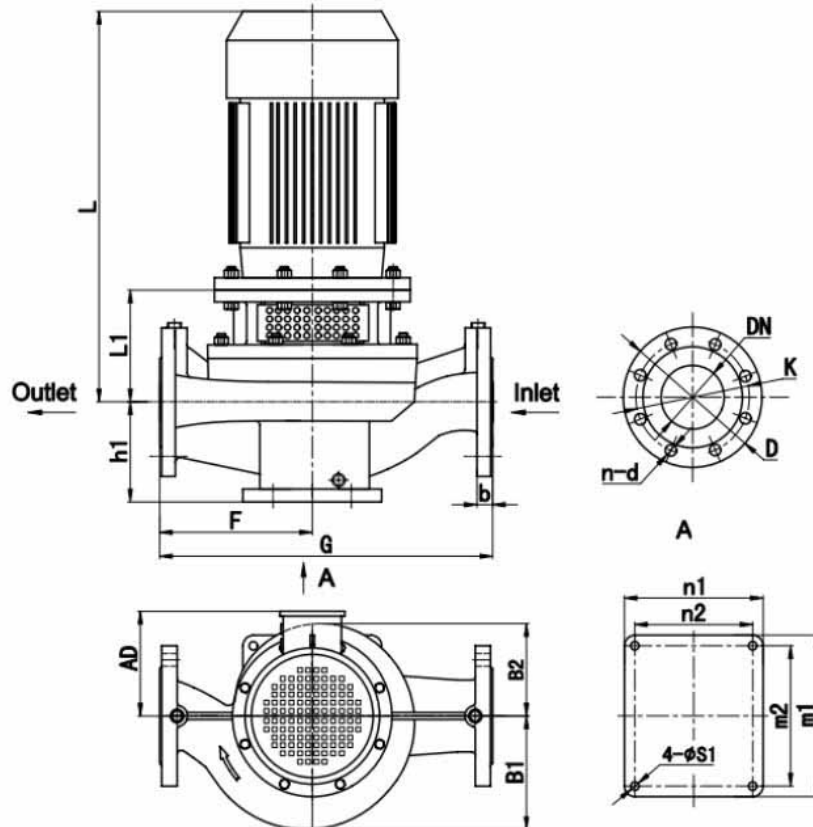


Brand: Gol Pumps
Model: EG50-3220-01104

| Motor (V1) | |
|------------|-----|
| Model | hp |
| Y2-90S-4 | 1.5 |

| Weight (lb) | | |
|-------------|-------|--------------|
| Pump | Motor | Pump & motor |
| 101 | 51 | 152 |

Dimensions:



| Pump installation size (inch) | | | | | | | | | | | | | | | |
|-------------------------------|-----|-----|------|------|-----|-----|-----|-----------|-----------|-----|----|-----|-----|---------|-----|
| h1 | L1 | F | G | L | AD | B1 | B2 | n2 x m2 | n1 x m1 | s1 | DN | D | K | n - d | b |
| 4.6 | 5.9 | 8.3 | 16.5 | 15.6 | 6.1 | 5.4 | 5.3 | 6.7 x 7.9 | 7.9 x 9.1 | 0.6 | 2 | 6.5 | 4.9 | 4 - φ18 | 0.8 |

| | | | | |
|---------|------------|------------|------------|-------------|
| Project | Project ID | Created by | Created on | Last update |
|---------|------------|------------|------------|-------------|



Performance Curves

Vertical In-line Pump - EG50-3220-01104

Revision no.

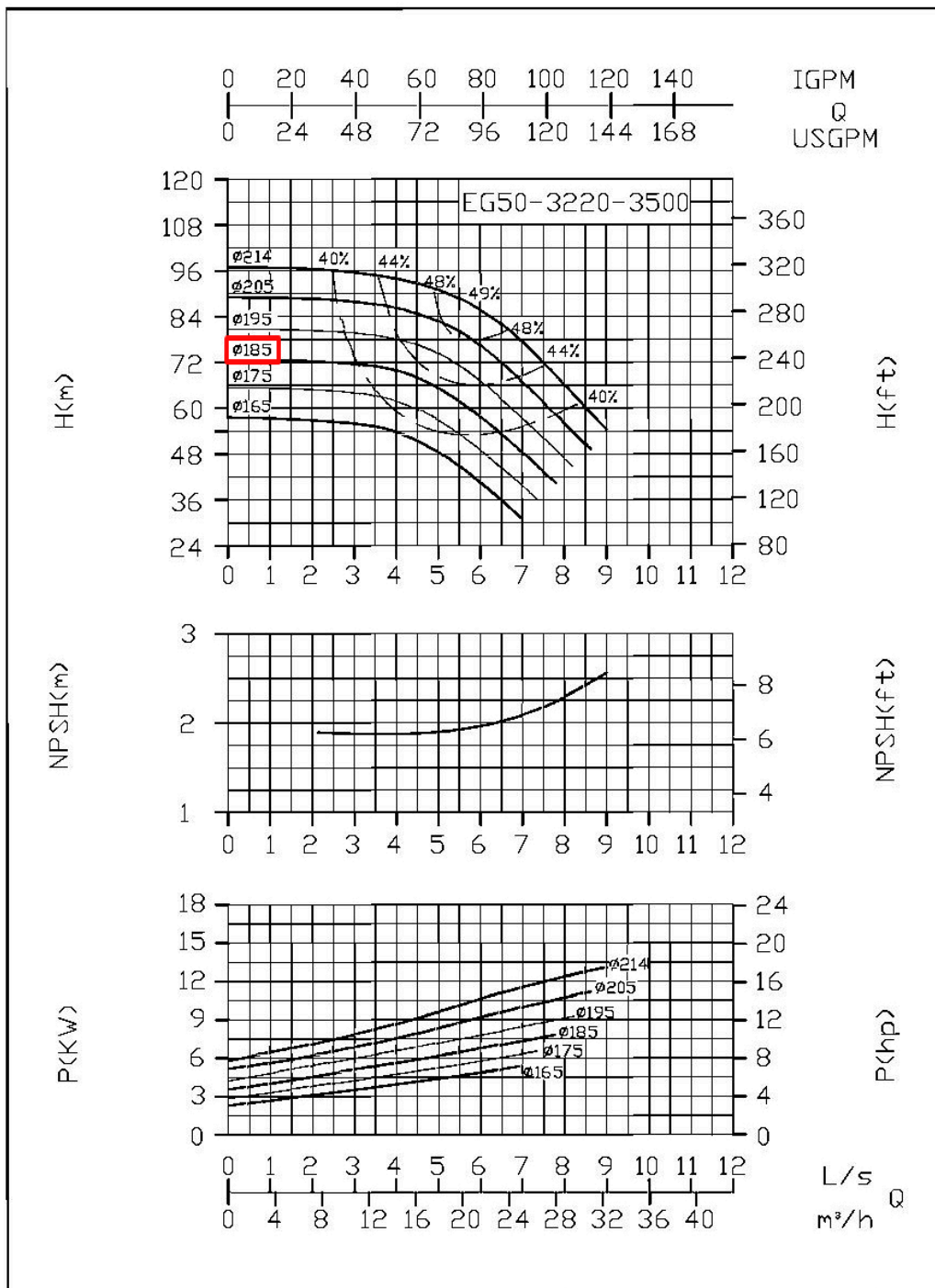
 Page:
2

Receiver

From

 Company name
 Respons. Department
 Person in charge
 Phone number
 Fax no
 E-mail address

| Model | Capacity | | | Head | | Speed | Motor | Voltage | Phase | Impeller Diam. | |
|-----------------|-------------------|-----|------|------|------|-------|-------|---------|-------|----------------|------|
| | m ³ /h | l/s | gpm | m | ft | r/min | hp | v | | mm | inch |
| EG50-3220-01104 | 4.5 | 2 | 19.8 | 17.3 | 57 | 1750 | 1 | 115 | 1 | 185 | 7.3 |
| | 7.5 | 3 | 33 | 16 | 51.5 | | 1.5 | | | | |
| | 9 | 3.5 | 39.6 | 14.4 | 47.2 | | 1.5 | | | | |



Project

Project ID

Created by

Created on

Last update