



Technical Data

Vertical In-line Pump - EG65-4013-00754

Revision no.

Page:
 1

Company name
 Respons. Department
 Person in charge
 Phone number
 Fax no
 E-mail address

Receiver

From

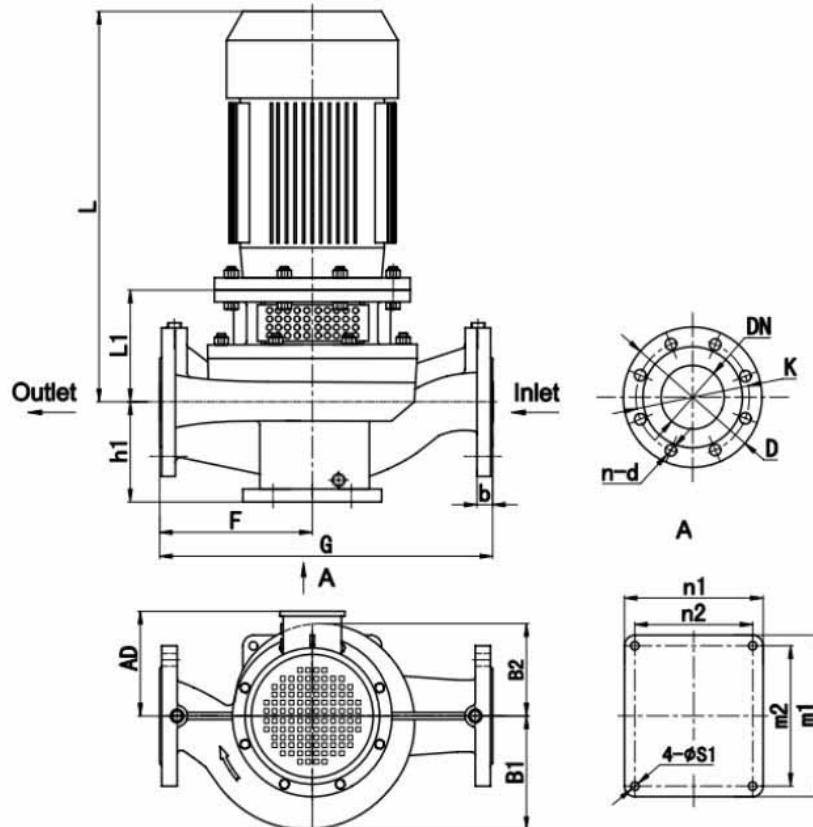


Brand: Gol Pumps
Model: EG65-4013-00754

Motor (V1)	
Model	hp
Y2-802-4	1

Weight (lb)		
Pump	Motor	Pump & motor
84	40	121

Dimensions:



Pump installation size (inch)															
h1	L1	F	G	L	AD	B1	B2	n2 x m2	n1 x m1	s1	DN	D	K	n - d	b
5	6	6.9	14.2	6.9	5.7	4.4	3.9	6.7 x 7.9	7.9 x 9.1	0.5	2.6	7.3	5.7	4 - φ18	0.8

Project	Project ID	Created by	Created on	Last update
---------	------------	------------	------------	-------------



Performance Curves

Vertical In-line Pump - EG65-4013-00754

Revision no.

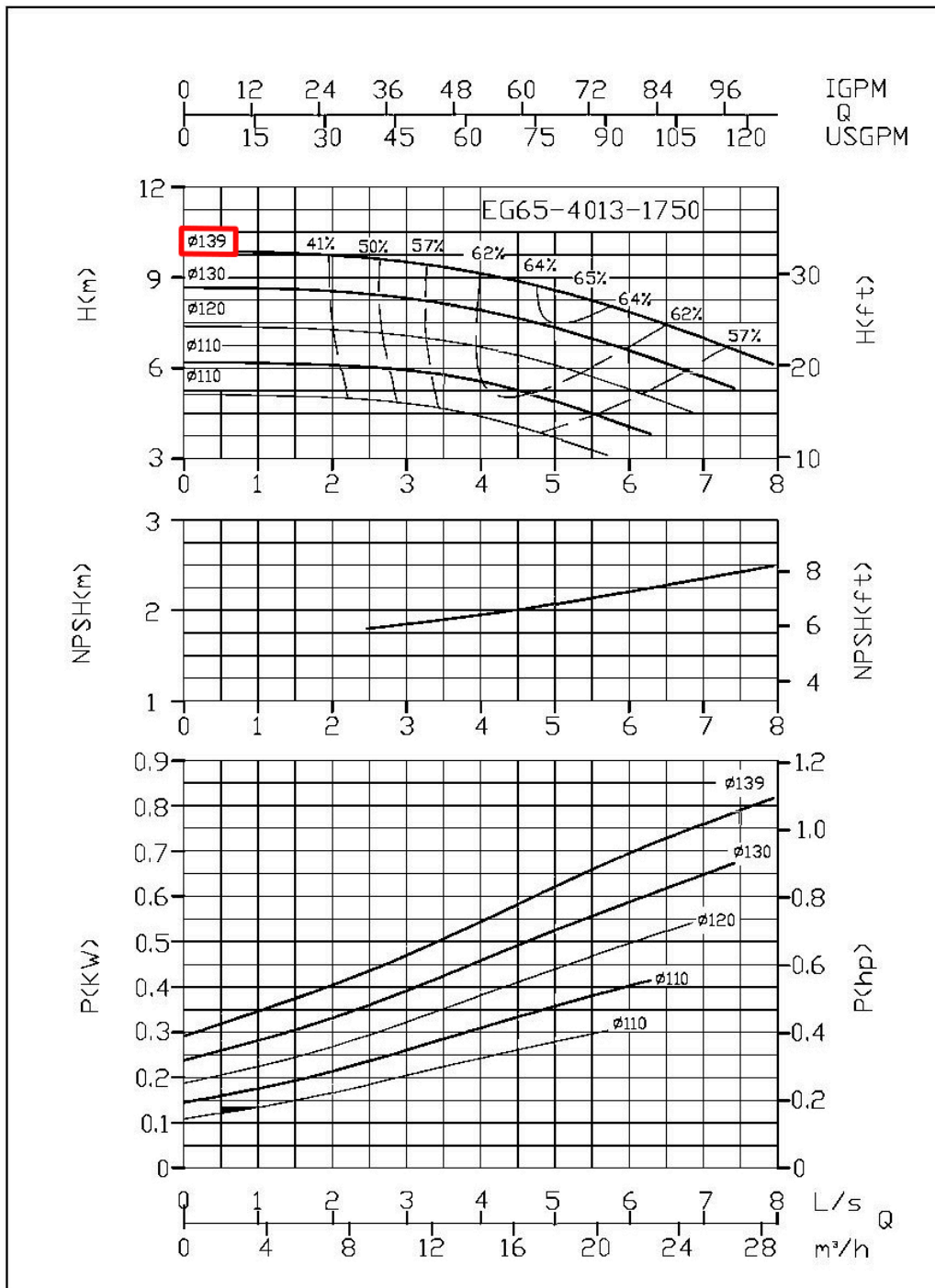
 Page:
2

Receiver

From

 Company name
 Respons. Department
 Person in charge
 Phone number
 Fax no
 E-mail address

Model	Capacity			Head		Speed	Motor	Voltage	Phase	Impeller Diam.	
	m ³ /h	l/s	gpm	m	ft	r/min	hp	v		mm	inch
EG65-4013-00754	9	2.9	39.6	9.3	31	1750	1	265/460	3	139	5.5
	14.5	5	63.8	9	29		1				
	17.4	6	76.6	8.2	27		1				



Project

Project ID

Created by

Created on

Last update