



# Technical Data

## Vertical In-line Pump - EG65-4032-11004

Revision no.

Page:  
 1

Company name  
 Respons. Department  
 Person in charge  
 Phone number  
 Fax no  
 E-mail address

Receiver

---

---

---

---

---

---

From

---

---

---

---

---

---

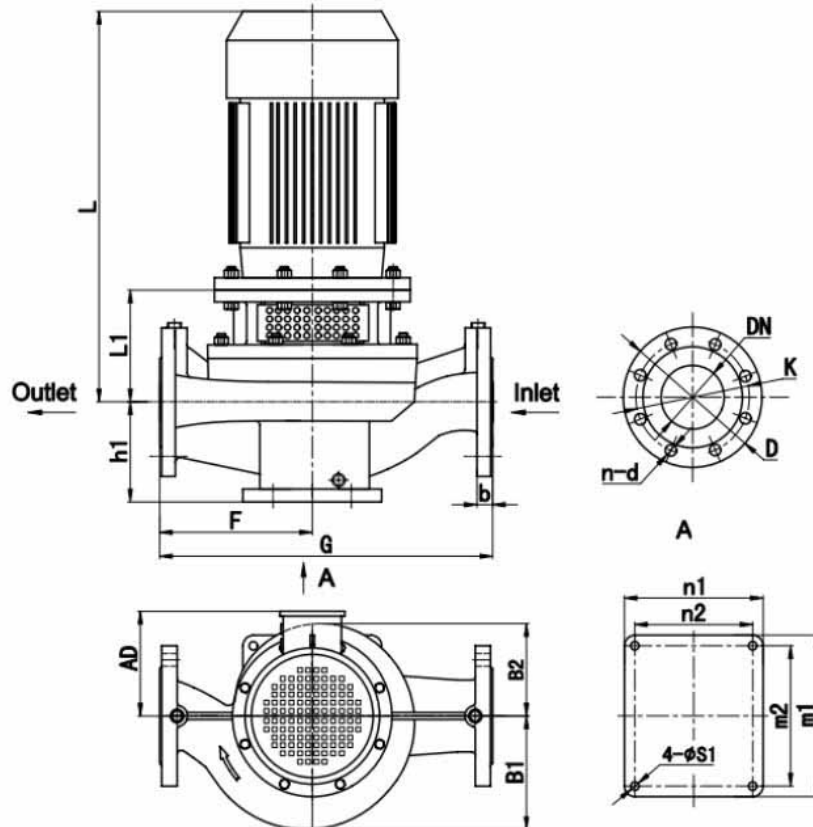


**Brand: Gol Pumps**  
**Model: EG65-4032-11004**

Motor (V1)	
Model	hp
Y2-160M-4	15

Weight (lb)		
Pump	Motor	Pump & motor
218	238	456

**Dimensions:**



Pump installation size (inch)															
h1	L1	F	G	L	AD	B1	B2	n2 x m2	n1 x m1	s1	DN	D	K	n - d	b
5.4	9.1	11.4	22.8	29.3	10	7.9	7.9	6.7 x 7.9	7.9 x 9.1	0.6	2.6	7.3	5.7	4 - φ18	0.8

Project	Project ID	Created by	Created on	Last update
---------	------------	------------	------------	-------------



# Performance Curves

## Vertical In-line Pump - EG65-4032-11004

Revision no.

Page:  
2

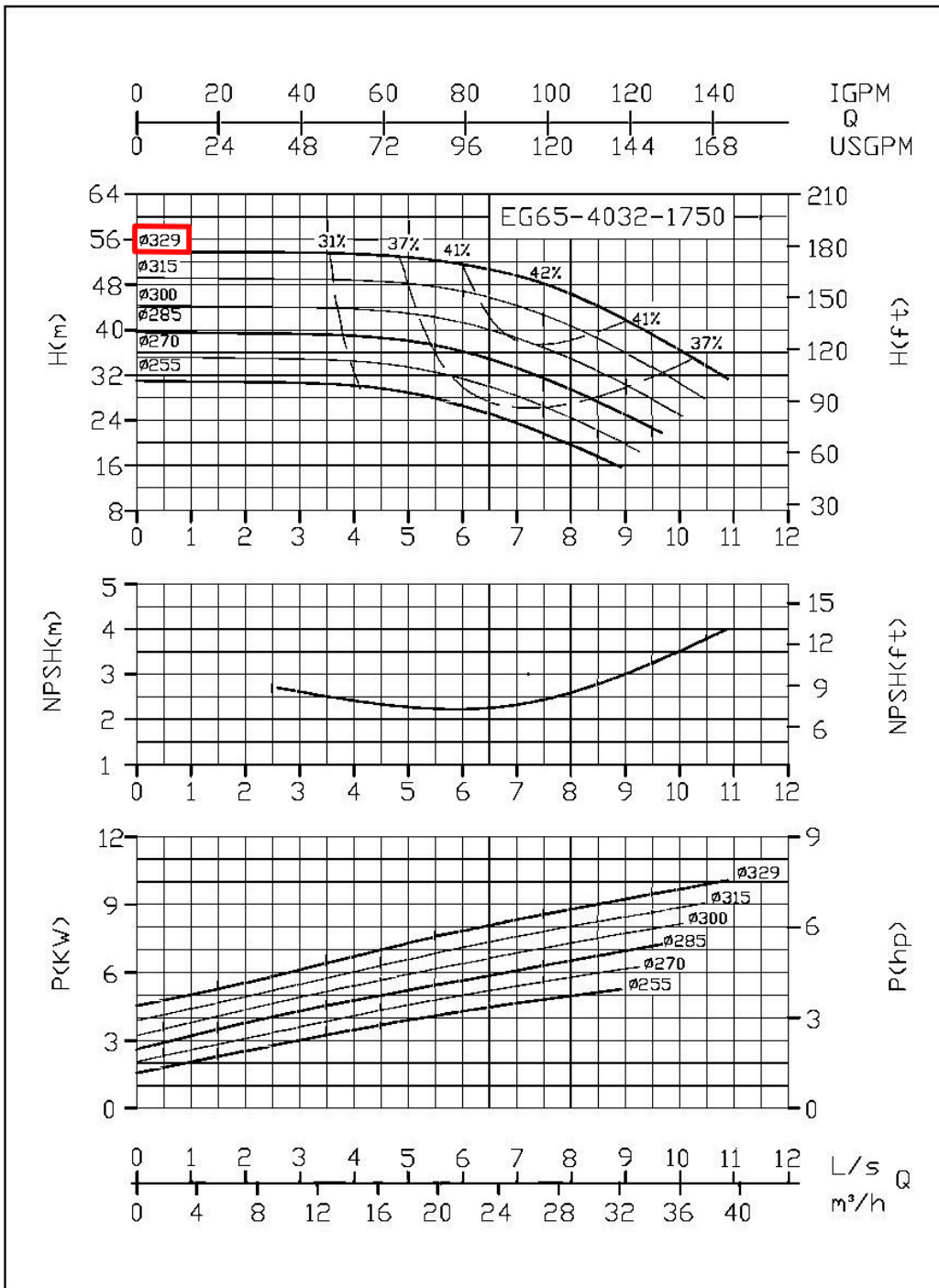
Receiver

From

Company name  
 Respons. Department  
 Person in charge  
 Phone number  
 Fax no  
 E-mail address



Model	Capacity			Head		Speed	Motor	Voltage	Phase	Impeller Diam.	
	m <sup>3</sup> /h	l/s	gpm	m	ft	r/min	hp	v		mm	inch
EG65-4032-11004	11	4	48.4	55	179.2	1750	10	460	3	329	12.9
	18	6	79.3	52	170.1		15				
	22	7.2	96.9	49.2	161.5		15				



Project	Project ID	Created by	Created on	Last update
---------	------------	------------	------------	-------------