



Technical Data

Vertical In-line Pump - EG65-5016-03004

Revision no.

Page:
 1

Company name
 Respons. Department
 Person in charge
 Phone number
 Fax no
 E-mail address

Receiver

From

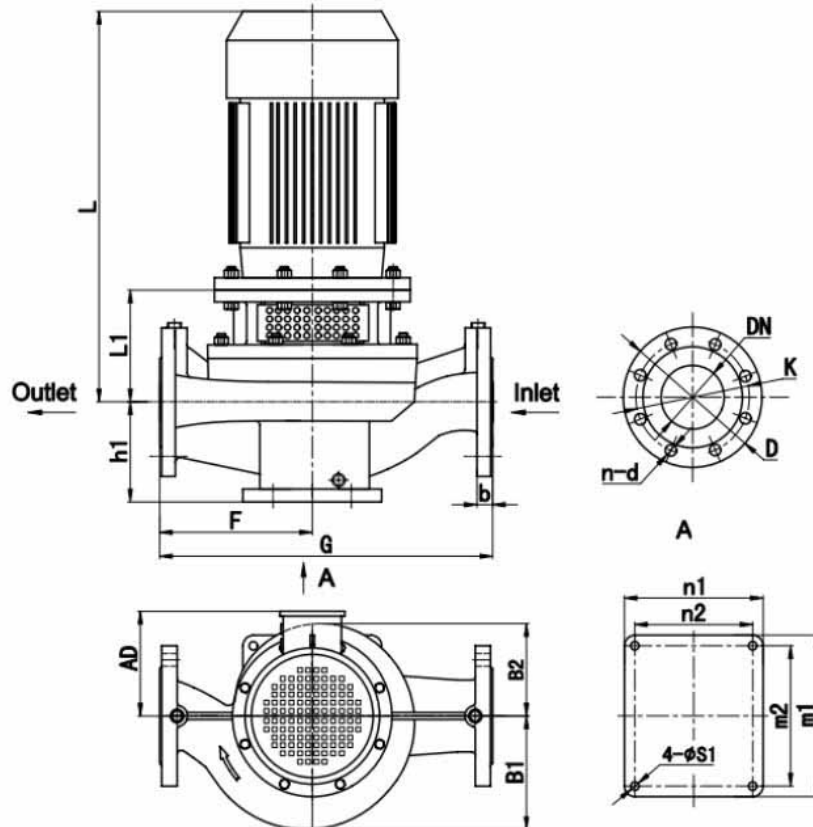


Brand: Gol Pumps
Model: EG65-5016-03004

Motor (V1)	
Model	hp
Y2-100L2-4	4

Weight (lb)		
Pump	Motor	Pump & motor
104	82	185

Dimensions:



Pump installation size (inch)															
h1	L1	F	G	L	AD	B1	B2	n2 x m2	n1 x m1	s1	DN	D	K	n - d	b
5.4	6.5	8.7	17.3	19.3	7.1	5.5	4.7	6.7 x 7.9	7.9 x 9.1	0.5	2.6	7.3	5.7	4 - φ18	0.8

Project	Project ID	Created by	Created on	Last update
---------	------------	------------	------------	-------------



Performance Curves

Vertical In-line Pump - EG65-5016-03004

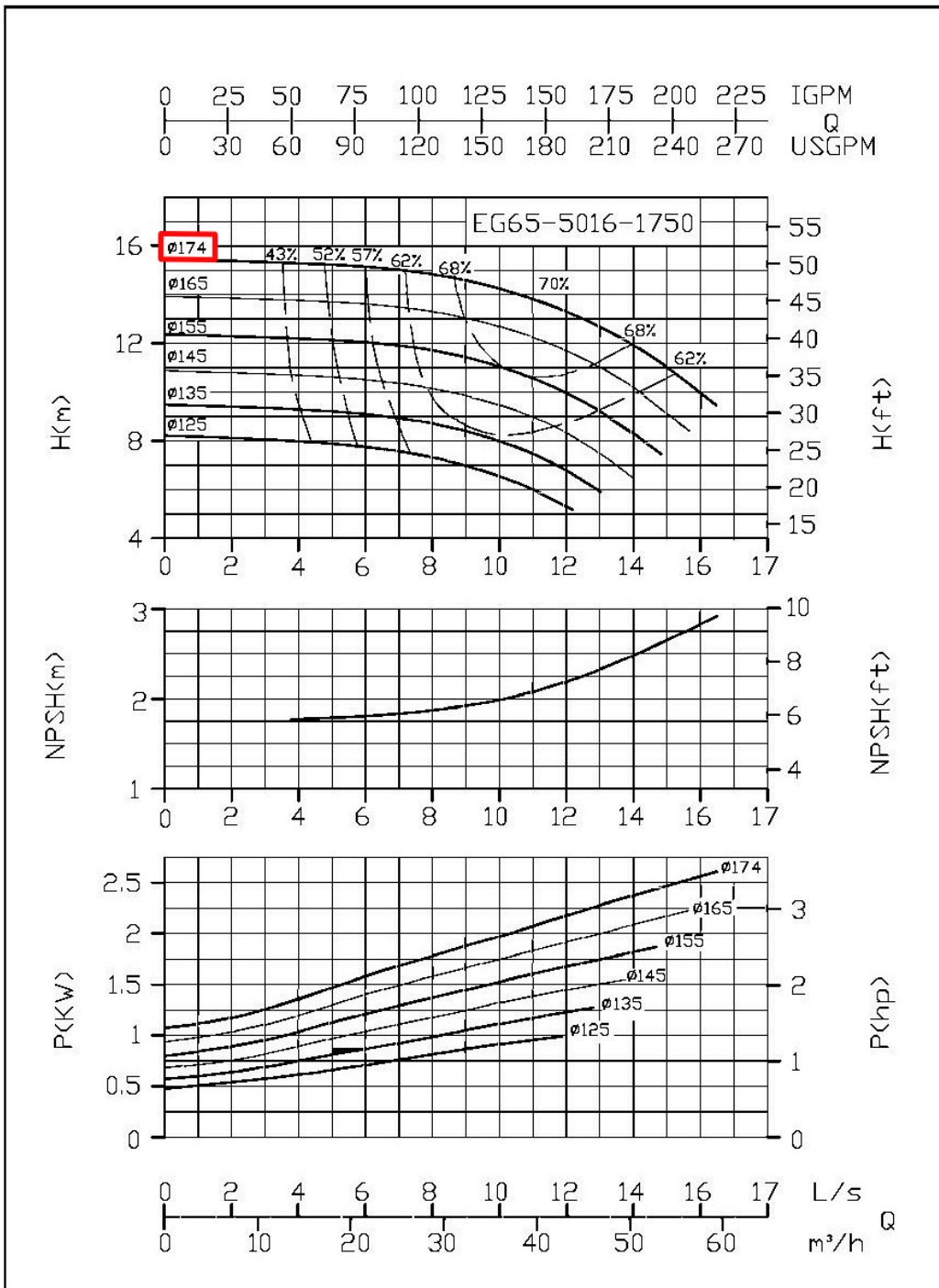
Revision no. _____

Page: 2

Receiver	From

Company name _____
 Respons. Department _____
 Person in charge _____
 Phone number _____
 Fax no _____
 E-mail address _____

Model	Capacity			Head		Speed	Motor	Voltage	Phase	Impeller Diam.	
	m ³ /h	l/s	gpm	m	ft	r/min	hp	v		mm	inch
EG65-5016-03004	18.5	6.2	81.5	15.3	50.2	1750	2	230	1	174	6.8
	31	10	136.5	14	45.4		3				
	37.1	12.4	163.3	13	42		4				



Project	Project ID	Created by	Created on	Last update
---------	------------	------------	------------	-------------