



Technical Data

Vertical In-line Pump - EG65-5020-03004

Revision no.

Page:
 1

Receiver	From

Company name
 Respons. Department
 Person in charge
 Phone number
 Fax no
 E-mail address

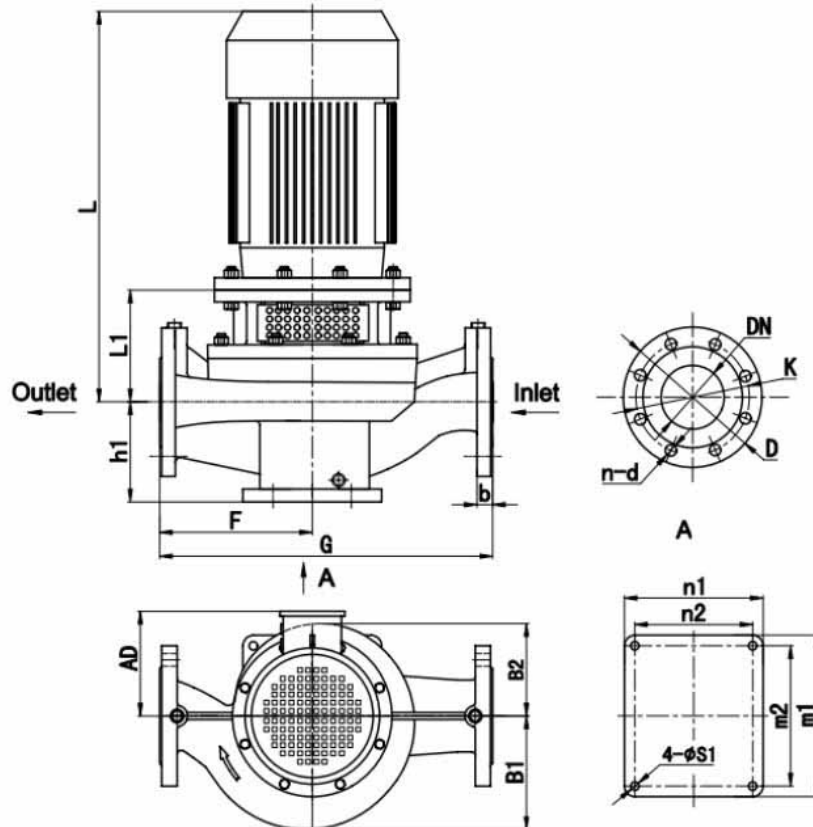


Brand: Gol Pumps
Model: EG65-5020-03004

Motor (V1)	
Model	hp
Y2-100L2-4	4

Weight (lb)		
Pump	Motor	Pump & motor
119	82	198

Dimensions:



Pump installation size (inch)															
h1	L1	F	G	L	AD	B1	B2	n2 x m2	n1 x m1	s1	DN	D	K	n - d	b
5.4	6.5	9.4	18.9	19.7	7.1	6.2	5.6	6.7 x 7.9	7.9 x 9.1	0.6	2.6	7.3	5.7	4 - φ18	0.8

Project	Project ID	Created by	Created on	Last update
---------	------------	------------	------------	-------------



Performance Curves

Vertical In-line Pump - EG65-5020-03004

Revision no.

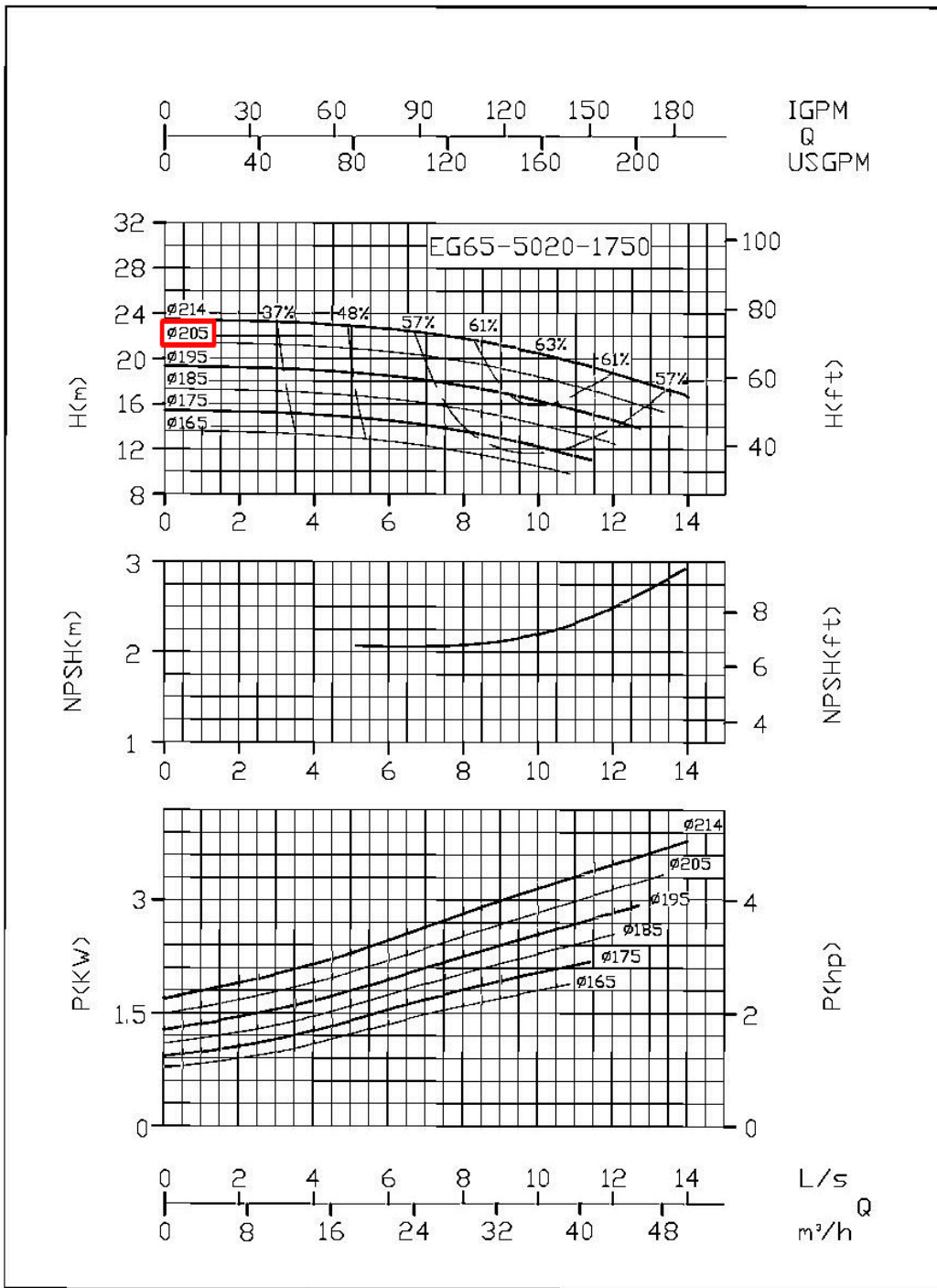
Page:
 2

Receiver

From

Company name
 Respons. Department
 Person in charge
 Phone number
 Fax no
 E-mail address

Model	Capacity			Head		Speed	Motor	Voltage	Phase	Impeller Diam.	
	m ³ /h	l/s	gpm	m	ft	r/min	hp	v		mm	inch
EG65-5020-03004	17.2	5.8	75.7	20.5	67.1	1750	3	460	3	205	8.1
	28.7	9.6	126.4	17.5	57.3		4				
	34.5	11.6	151.9	15.4	50.6		4				



Project	Project ID	Created by	Created on	Last update
---------	------------	------------	------------	-------------