



# Technical Data

## Vertical In-line Pump - EG80-6520-04004

Revision no.

Page:  
 1

Company name  
 Respons. Department  
 Person in charge  
 Phone number  
 Fax no  
 E-mail address

Receiver

|  |
|--|
|  |
|  |
|  |
|  |
|  |

From

|  |
|--|
|  |
|  |
|  |
|  |
|  |

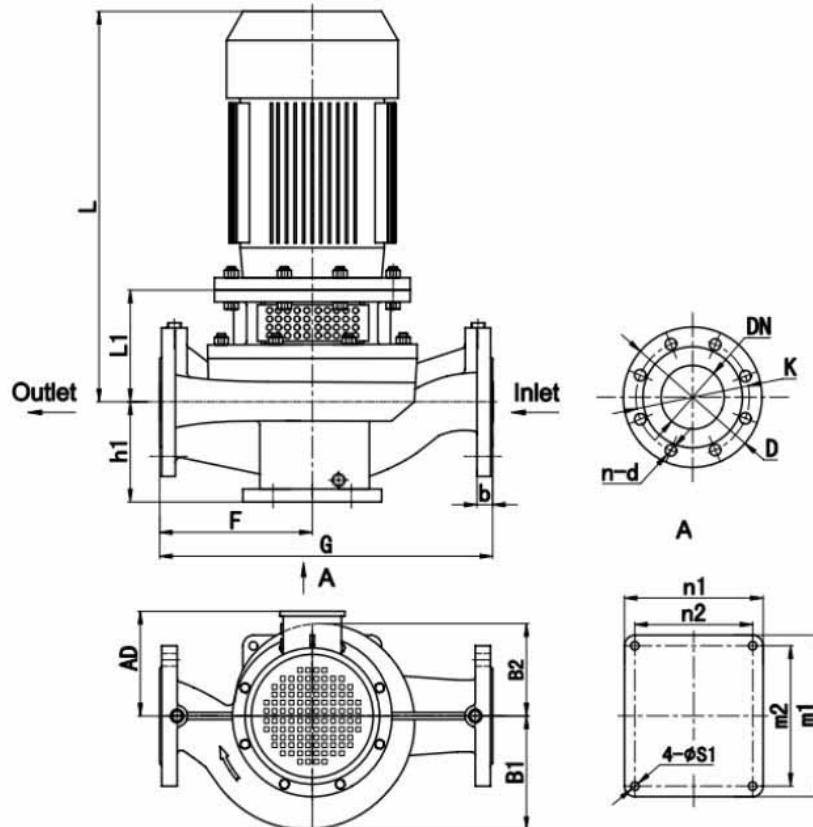


**Brand: Gol Pumps**  
**Model: EG80-6520-04004**

| Motor (V1) |     |
|------------|-----|
| Model      | hp  |
| Y2-112M-4  | 5.5 |

| Weight (lb) |       |              |
|-------------|-------|--------------|
| Pump        | Motor | Pump & motor |
| 137         | 101   | 240          |

**Dimensions:**



| Pump installation size (inch) |     |      |      |      |     |     |     |           |           |     |     |     |     |         |   |
|-------------------------------|-----|------|------|------|-----|-----|-----|-----------|-----------|-----|-----|-----|-----|---------|---|
| h1                            | L1  | F    | G    | L    | AD  | B1  | B2  | n2 x m2   | n1 x m1   | s1  | DN  | D   | K   | n - d   | b |
| 5.9                           | 6.4 | 10.2 | 21.3 | 19.8 | 7.5 | 6.7 | 5.8 | 6.7 x 7.9 | 7.9 x 9.1 | 0.6 | 3.1 | 7.9 | 6.3 | 8 - φ18 | 1 |

|         |            |            |            |             |
|---------|------------|------------|------------|-------------|
| Project | Project ID | Created by | Created on | Last update |
|---------|------------|------------|------------|-------------|



# Performance Curves

## Vertical In-line Pump - EG80-6520-04004

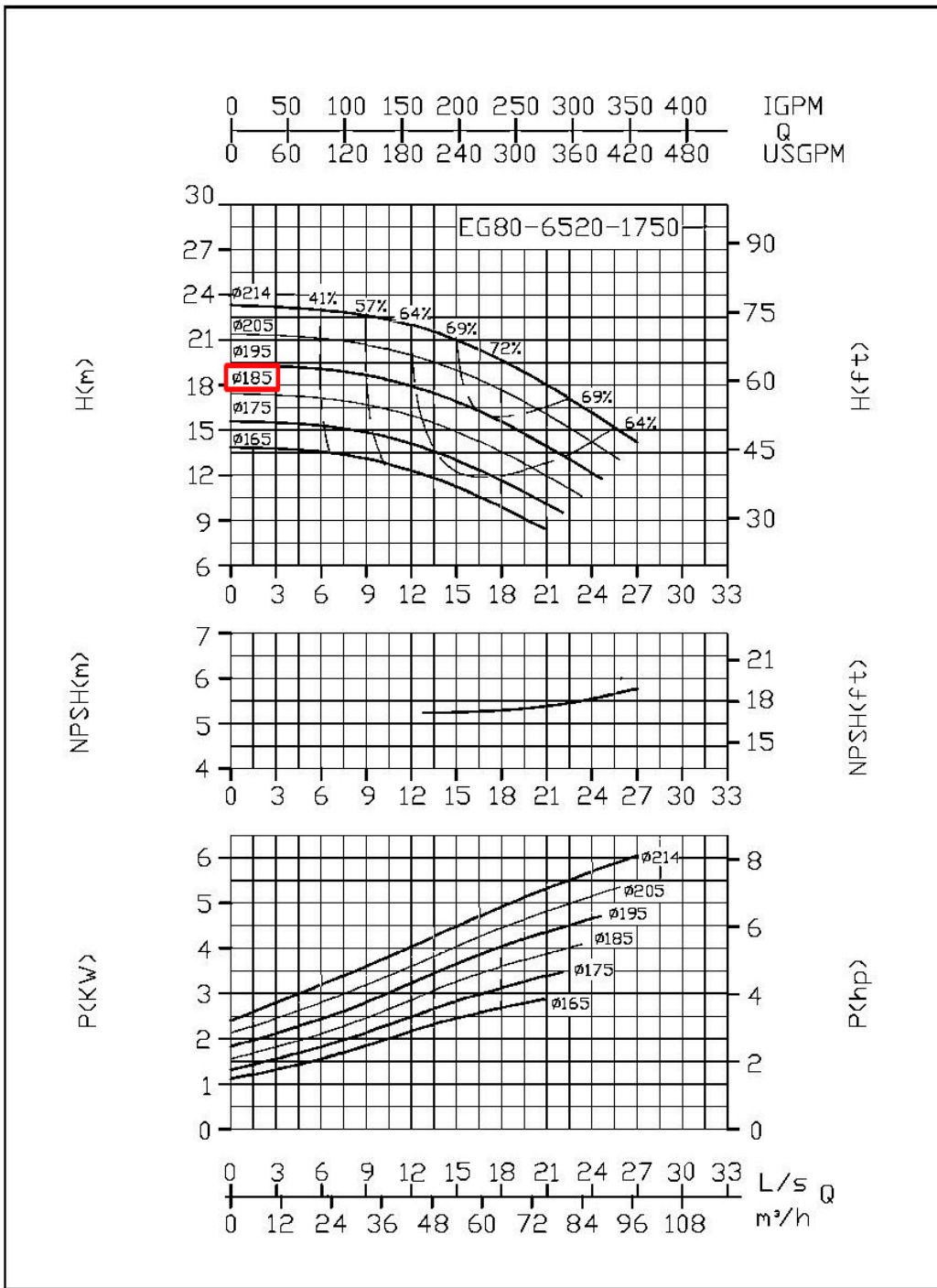
Revision no. \_\_\_\_\_  
 \_\_\_\_\_

Page:  
 2

| Receiver | From |
|----------|------|
|          |      |
|          |      |
|          |      |
|          |      |
|          |      |
|          |      |

Company name  
 Respons. Department  
 Person in charge  
 Phone number  
 Fax no  
 E-mail address

| Model           | Capacity          |      |       | Head |      | Speed | Motor | Voltage | Phase | Impeller Diam. |      |
|-----------------|-------------------|------|-------|------|------|-------|-------|---------|-------|----------------|------|
|                 | m <sup>3</sup> /h | l/s  | gpm   | m    | ft   | r/min | hp    | v       |       | mm             | inch |
| EG80-6520-04004 | 28.5              | 9.6  | 125.5 | 17   | 54.4 | 1750  | 4     | 460     | 3     | 185            | 7.3  |
|                 | 47.5              | 15.9 | 209.1 | 15   | 48   |       | 5.5   |         |       |                |      |
|                 | 57                | 19.1 | 250.9 | 13.2 | 43.2 |       | 5.5   |         |       |                |      |



|         |            |            |            |             |
|---------|------------|------------|------------|-------------|
| Project | Project ID | Created by | Created on | Last update |
|---------|------------|------------|------------|-------------|