



Technical Data

Vertical In-line Pump - EG80-6520-05504

Revision no.

Page:
 1

Company name
 Respons. Department
 Person in charge
 Phone number
 Fax no
 E-mail address

Receiver

From

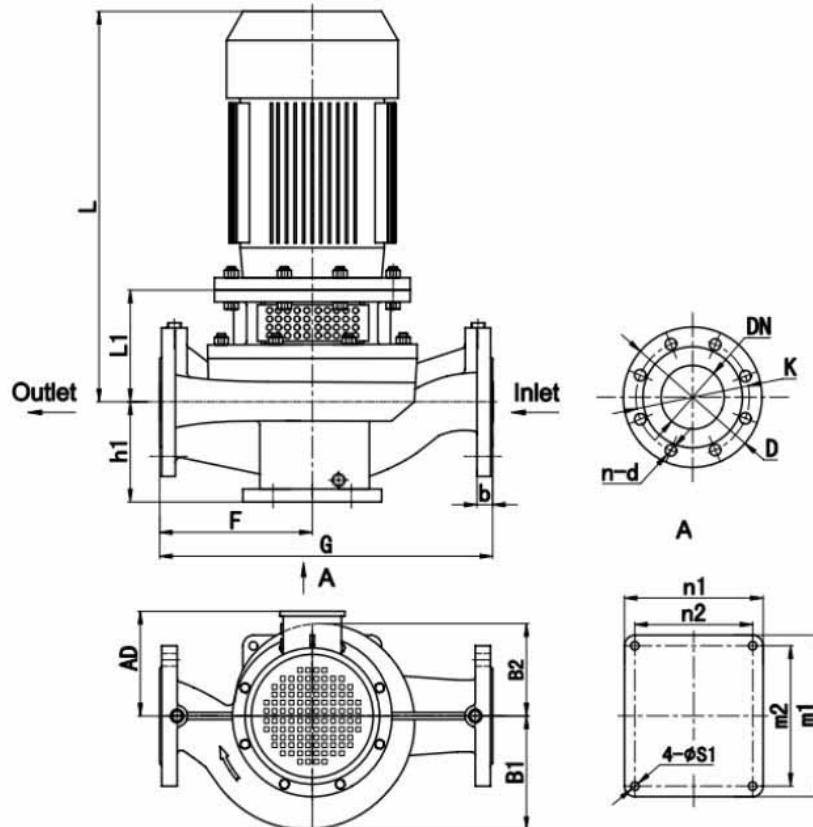


Brand: Gol Pumps
Model: EG80-6520-05504

Motor (V1)	
Model	hp
Y2-132S-4	7.5

Weight (lb)		
Pump	Motor	Pump & motor
143	143	287

Dimensions:



Pump installation size (inch)															
h1	L1	F	G	L	AD	B1	B2	n2 x m2	n1 x m1	s1	DN	D	K	n - d	b
5.9	7.3	10.2	21.3	22.7	8.3	6.7	5.8	6.7 x 7.9	7.9 x 9.1	0.6	3.1	7.9	6.3	8 - φ18	1

Project	Project ID	Created by	Created on	Last update
---------	------------	------------	------------	-------------



Performance Curves

Vertical In-line Pump - EG80-6520-05504

Revision no.

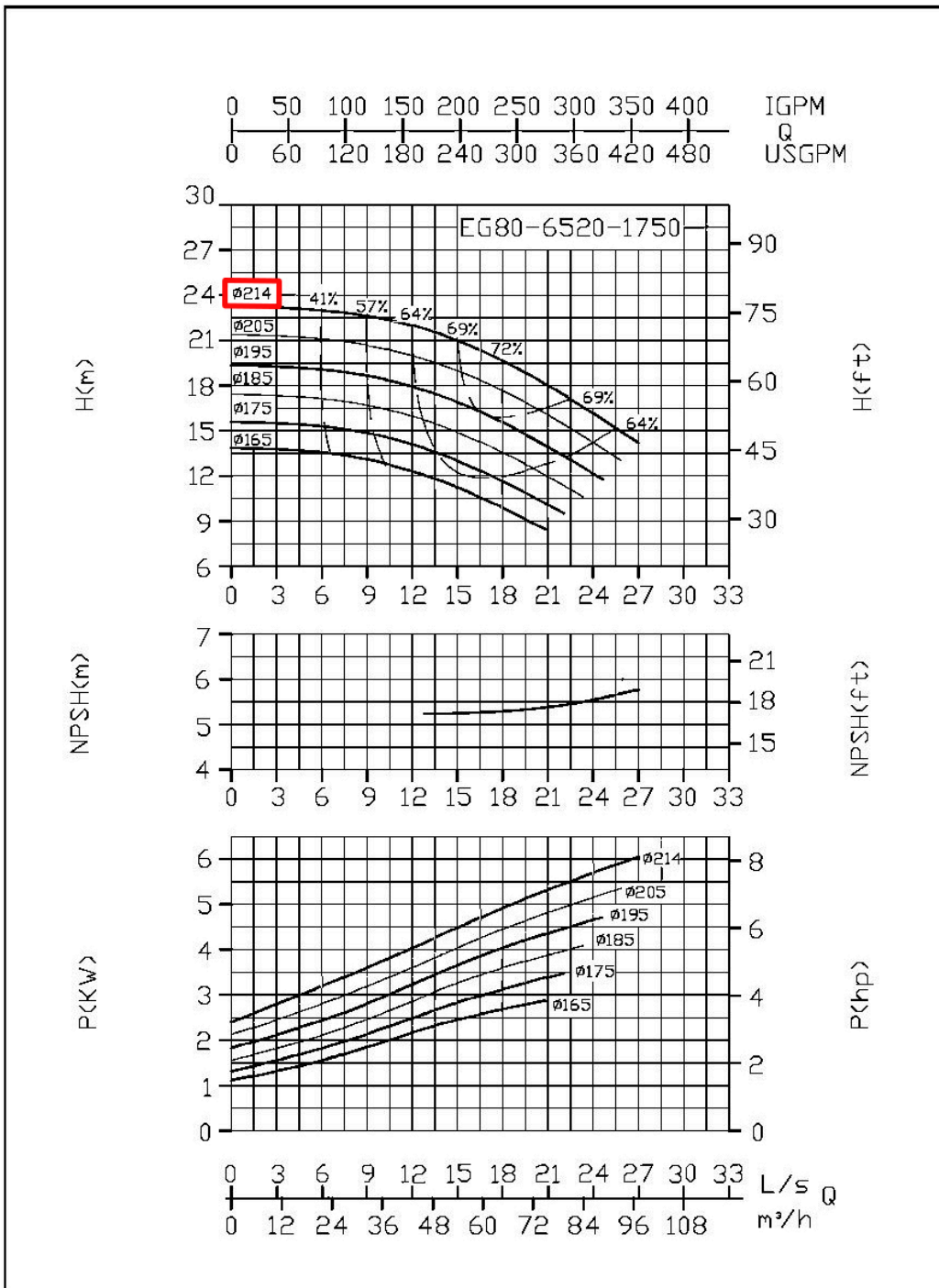
Page:
 2

Receiver

From

Company name
 Respons. Department
 Person in charge
 Phone number
 Fax no
 E-mail address

Model	Capacity			Head		Speed	Motor	Voltage	Phase	Impeller Diam.	
	m ³ /h	l/s	gpm	m	ft	r/min	hp	v		mm	inch
EG80-6520-05504	33	11	145.3	23	74.5	1750	5.5	460	3	214	8.4
	55	18.4	242.2	20	65.5		7.5				
	66	22.1	290.6	17	54.5		7.5				



Project	Project ID	Created by	Created on	Last update
---------	------------	------------	------------	-------------