



Technical Data

Vertical In-line Pump - EG80-6520-22002

Revision no.

Page:
 1

Company name
 Respons. Department
 Person in charge
 Phone number
 Fax no
 E-mail address

Receiver

From

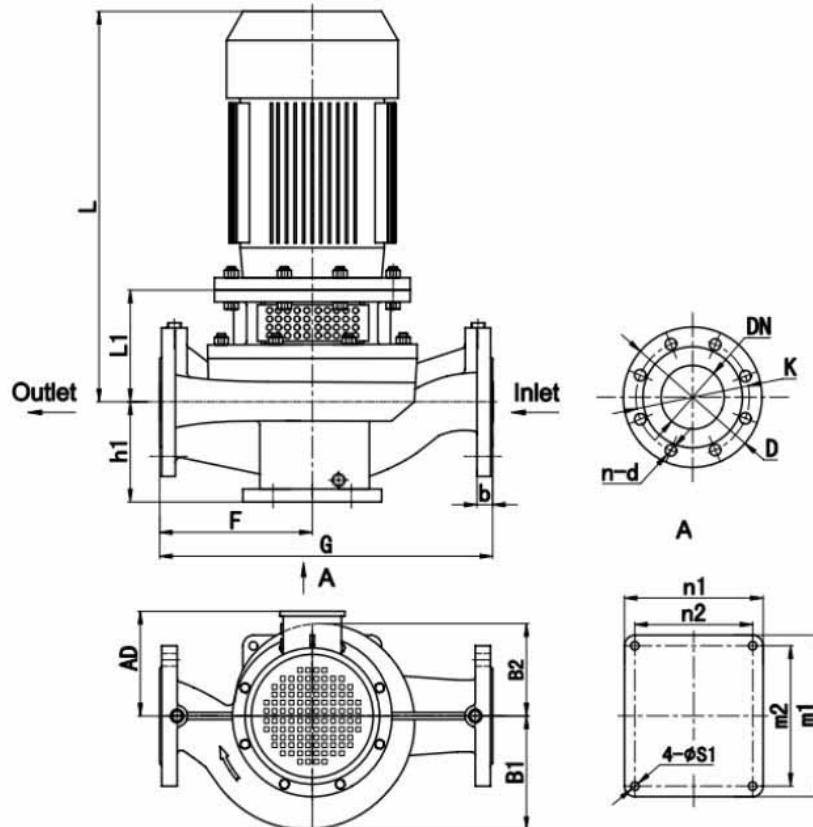


Brand: Gol Pumps
Model: EG80-6520-22002

Motor (V1)	
Model	hp
Y2-200L1-2	40

Weight (lb)		
Pump	Motor	Pump & motor
168	494	661

Dimensions:



Pump installation size (inch)															
h1	L1	F	G	L	AD	B1	B2	n2 x m2	n1 x m1	s1	DN	D	K	n - d	b
5.9	8.7	10.2	21.3	34.7	12	6.7	5.8	6.7 x 7.9	7.9 x 9.1	0.6	3.1	7.9	6.3	8 - φ18	1

Project	Project ID	Created by	Created on	Last update
---------	------------	------------	------------	-------------



Performance Curves

Vertical In-line Pump - EG80-6520-22002

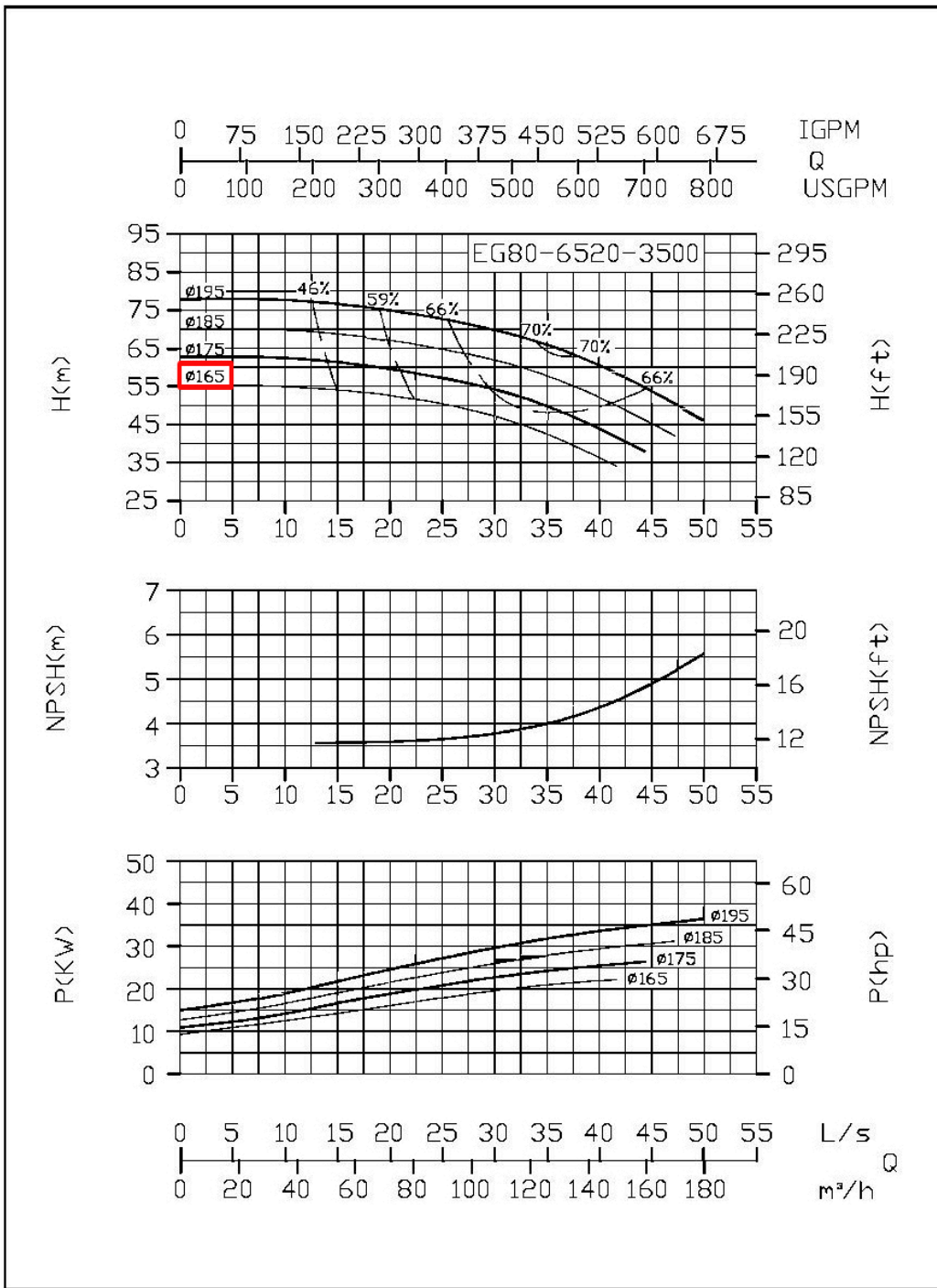
Revision no.

Page:
 2

Receiver	From

Company name
 Respons. Department
 Person in charge
 Phone number
 Fax no
 E-mail address

Model	Capacity			Head		Speed	Motor	Voltage	Phase	Impeller Diam.	
	m ³ /h	l/s	gpm	m	ft	r/min	hp	v		mm	inch
EG80-6520-22002	61.4	17	270.3	53.6	175.8	3500	25	460	3	165	6.5
	102.3	28.4	450.4	46.6	152.9		30				
	122.8	34.1	540.7	40.8	133.8		40				



Project	Project ID	Created by	Created on	Last update
---------	------------	------------	------------	-------------