



Technical Data

Vertical In-line Pump - EG80-6532-18504

Revision no.

Page:
 1

Company name
 Respons. Department
 Person in charge
 Phone number
 Fax no
 E-mail address

Receiver

From

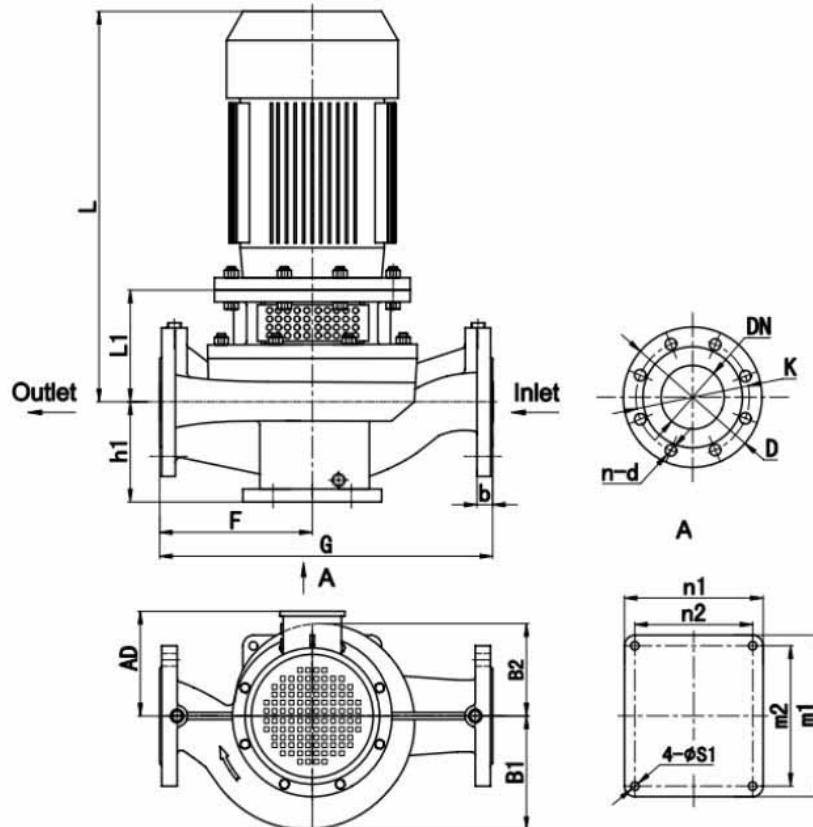


Brand: Gol Pumps
Model: EG80-6532-18504

Motor (V1)	
Model	hp
Y2-180M-4	25

Weight (lb)		
Pump	Motor	Pump & motor
260	346	606

Dimensions:



Pump installation size (inch)															
h1	L1	F	G	L	AD	B1	B2	n2 x m2	n1 x m1	s1	DN	D	K	n - d	b
6.9	9.3	12.2	25.2	32.5	11	8.8	8.3	7.9 x 9.8	9.8 x 11.8	0.7	3.1	7.9	6.3	8 - φ18	0.9

Project	Project ID	Created by	Created on	Last update
---------	------------	------------	------------	-------------



Performance Curves

Vertical In-line Pump - EG80-6532-18504

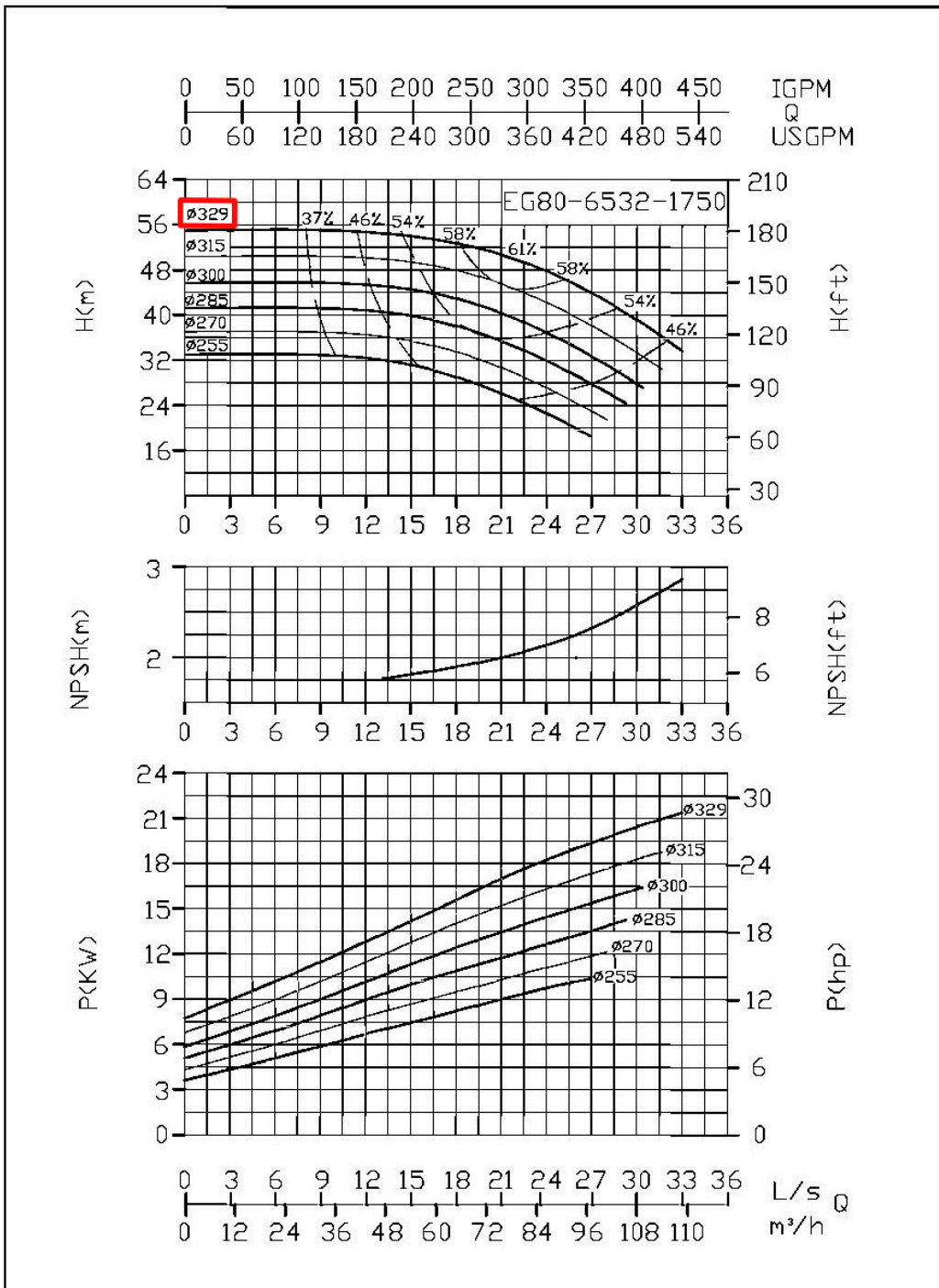
Revision no.

Page:
 2

Receiver _____ From _____

Company name _____
 Respons. Department _____
 Person in charge _____
 Phone number _____
 Fax no _____
 E-mail address _____

Model	Capacity			Head		Speed	Motor	Voltage	Phase	Impeller Diam.	
	m ³ /h	l/s	gpm	m	ft	r/min	hp	v		mm	inch
EG80-6532-18504	39	13.1	171.7	54	177	1750	20	460	3	329	12.9
	65	22	286.2	49.5	162.4		25				
	78	26.2	343.4	46.2	151.5		25				



Project	Project ID	Created by	Created on	Last update
---------	------------	------------	------------	-------------