



# Technical Data

## Vertical In-line Pump - EGM100-8016-03004

Revision no.

Page:

1

Receiver

From

 Company name  
 Respons. Department  
 Person in charge  
 Phone number  
 Fax no  
 E-mail address

--	--

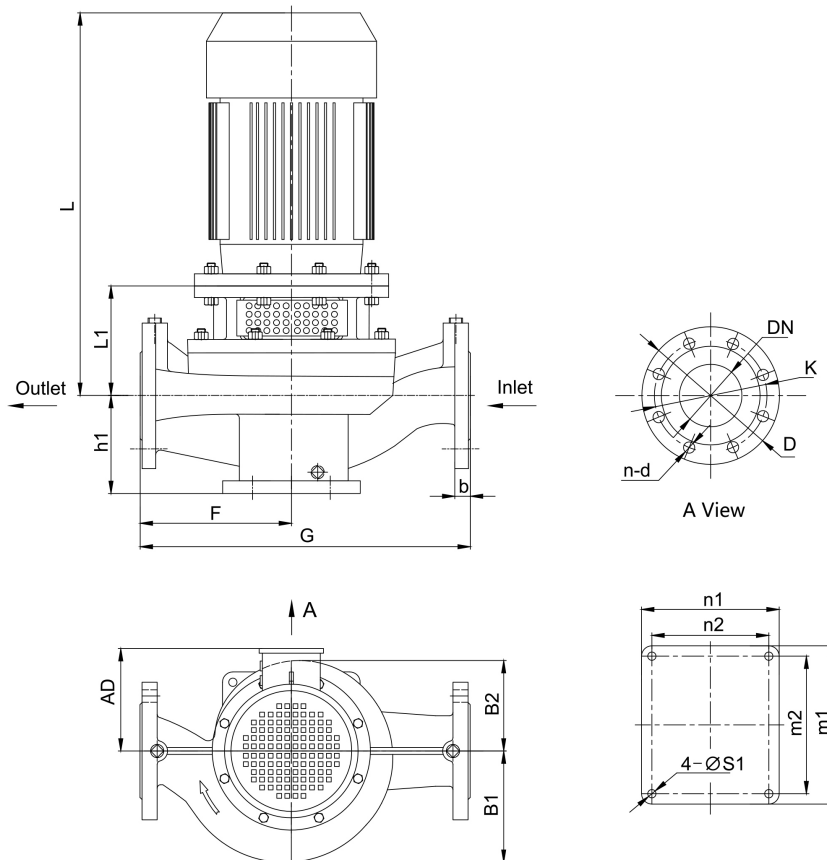


**Brand: Gol Pumps**  
**Model: EGM100-8016-03004**

Motor (V1)	
Model	HP
Y2-100L2-4	4

Weight (lb)		
Pump	Motor	Pump & Motor
127.6	81.4	209

### Dimensions:



### Pump Installation Size (inch)

h1	L1	F	G	L	AD	B1	B2	n2 x m2	n1 x m1	S1	DN	D	K	n - d	b
7.4	6.5	10.2	21.3	19.3	7.1	6.6	5.4	6.7x7.9	7.9x9.1	0.5	4	8.9	7.5	8 - φ0.8	-

Project

Project ID

Created by

Created on

Last update



# Performance Curves

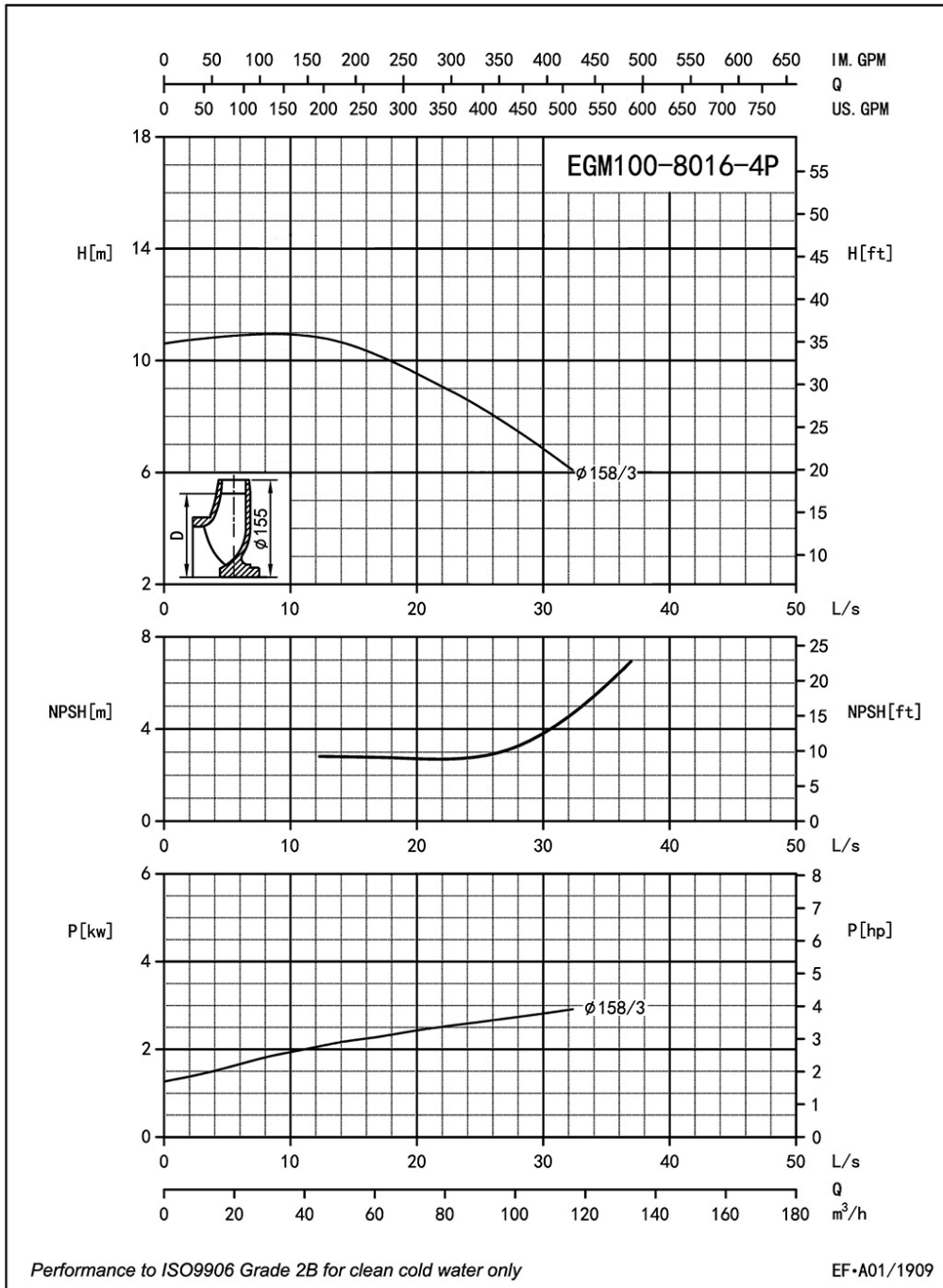
## Vertical In-line Pump - EGM100-8016-03004

Revision no. \_\_\_\_\_  
Page: 2

Receiver	From

Company name  
Respons. Department  
Person in charge  
Phone number  
Fax no  
E-mail address

Model	Capacity			Head		Speed r/min	Motor hp	Voltage v	Phase	Impeller Diam.		Eff. %	(NPSH)r ft
	m <sup>3</sup> /h	l/s	gpm	m	ft					mm	inch		
EGM100-8016-03004	51.8	14.4	228.2	10.5	34	1710	4	230/460	3	158	6.2	69	9.2
	86.4	24	380.4	8.6	28		4					77	9.8
	103.7	28.8	456.5	7.1	23		4					73	14.4



Project	Project ID	Created by	Created on	Last update
---------	------------	------------	------------	-------------



# Parts List

## Vertical In-line Pump - EGM100-8016-03004

Revision no.

Page:  
 3

	Receiver	From
Company name		
Respons. Department		
Person in charge		
Phone number		
Fax no		
E-mail address		

### Parts List

1 Casing	14 Screw
2 Impeller Nut	15 Screw Bolt
3 Flat Washer	16 Screw Nut
4 Spring Washer	17 Screw Bolt
5 Front-Wear Ring	18 1/4 Plug
6 Impeller	19 3/8 Plug
7 Seal Seat	20 Key
8 Mech Seal	21 Screw Nut
9 Casing Gasket	22 Motor
10 Casing Cover	23 Key
11 1/4 Plug	24 Screw
12 Adapter	25 Shaft
13 Guard	

Project	Project ID	Created by	Created on	Last update