



# Technical Data

## Vertical In-line Pump - EGM100-8016-05504

Revision no.

Page:

1

Receiver

From

 Company name  
 Respons. Department  
 Person in charge  
 Phone number  
 Fax no  
 E-mail address



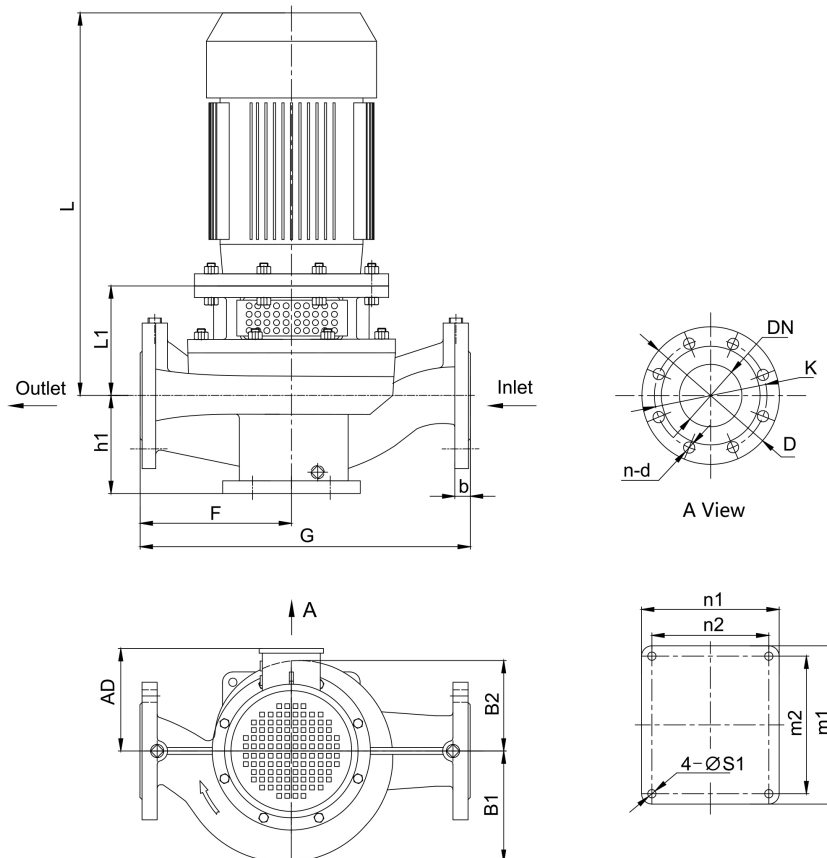


**Brand: Gol Pumps**  
**Model: EGM100-8016-05504**

Motor (V1)	
Model	HP
Y2-132S-4	7.5

Weight (lb)		
Pump	Motor	Pump & Motor
132	143	275

### Dimensions:



### Pump Installation Size (inch)

h1	L1	F	G	L	AD	B1	B2	n2 x m2	n1 x m1	S1	DN	D	K	n - d	b
7.4	7.4	10.2	21.3	22.7	8.3	6.6	5.4	6.7x7.9	7.9x9.1	0.5	4	8.9	7.5	8 - φ0.8	-

Project

Project ID

Created by

Created on

Last update



# Performance Curves

## Vertical In-line Pump - EGM100-8016-05504

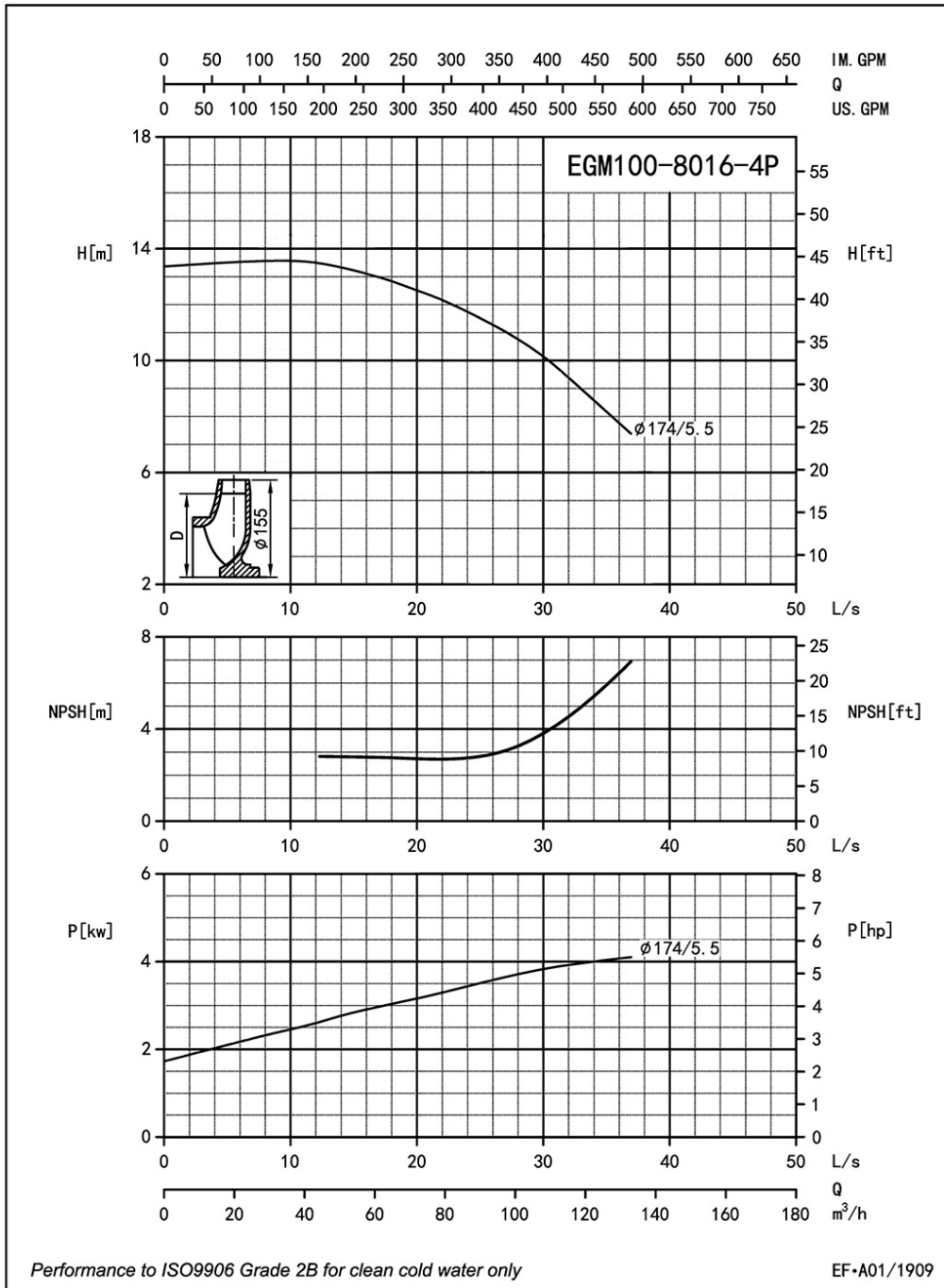
Revision no. \_\_\_\_\_  
 \_\_\_\_\_

Page: 2

Receiver	From

Company name \_\_\_\_\_  
 Respons. Department \_\_\_\_\_  
 Person in charge \_\_\_\_\_  
 Phone number \_\_\_\_\_  
 Fax no \_\_\_\_\_  
 E-mail address \_\_\_\_\_

Model	Capacity			Head		Speed	Motor	Voltage	Phase	Impeller Diam.		Eff.	(NPSH)r
	m <sup>3</sup> /h	l/s	gpm	m	ft	r/min	hp	v		mm	inch	%	ft
EGM100-8016-05504	56.2	15.6	247.3	13.2	43	1710	7.5	230/460	3	174	6.9	69	9.2
	93.6	26	412.1	11.2	37		7.5					80	9.8
	112.3	31.2	494.5	9.7	32		7.5					76	14.4



Project	Project ID	Created by	Created on	Last update
---------	------------	------------	------------	-------------



# Parts List

## Vertical In-line Pump - EGM100-8016-05504

Revision no.

Page:

3

Receiver

From

Company name  
 Respons. Department  
 Person in charge  
 Phone number  
 Fax no  
 E-mail address



### Parts List

1	Cassing	14	Screw
2	Impeller Nut	15	Screw Bolt
3	Flat Washer	16	Screw Nut
4	Spring Washer	17	Screw Bolt
5	Front-Wear Ring	18	1/4 Plug
6	Impeller	19	3/8 Plug
7	Seal Seat	20	Key
8	Mech Seal	21	Screw Nut
9	Casing Gasket	22	Motor
10	Casing Cover	23	Key
11	1/4 Plug	24	Screw
12	Adapter	25	Shaft
13	Guard		

Project	Project ID	Created by	Created on	Last update
---------	------------	------------	------------	-------------