



# Technical Data

## Vertical In-line Pump - EGM100-8026-11004

Revision no.

Page:  
 1

Receiver	From

Company name  
 Respons. Department  
 Person in charge  
 Phone number  
 Fax no  
 E-mail address

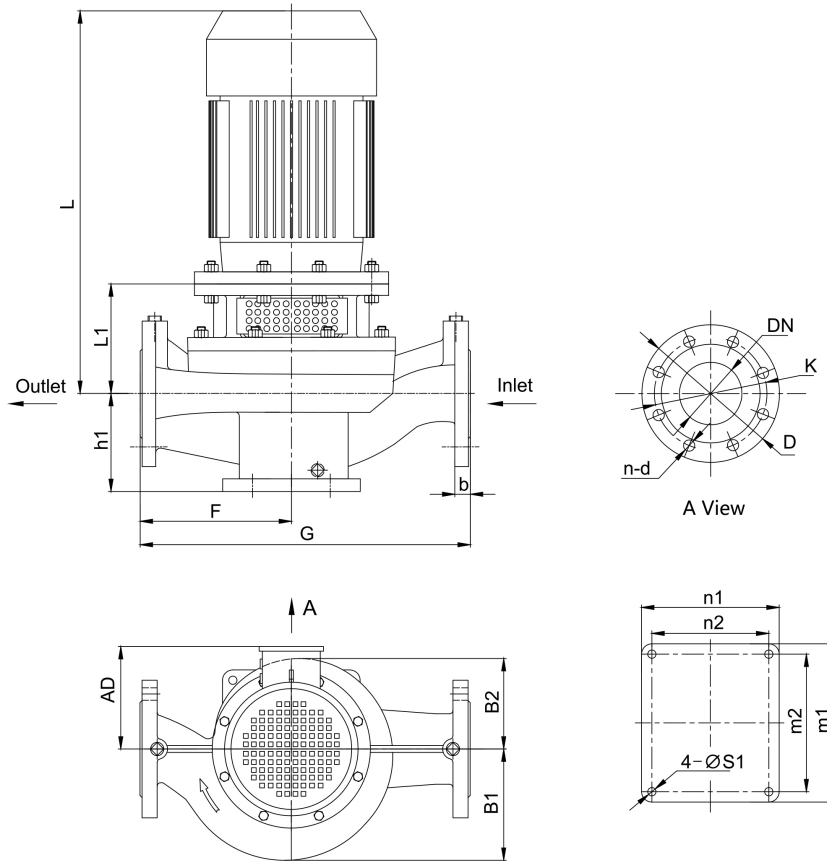


**Brand: Gol Pumps**  
**Model: EGM100-8026-11004**

Motor (V1)	
Model	HP
Y2-160M-4	15

Weight (lb)		
Pump	Motor	Pump & Motor
217.8	237.6	455.4

**Dimensions:**



Pump Installation Size (inch)															
h1	L1	F	G	L	AD	B1	B2	n2 x m2	n1 x m1	S1	DN	D	K	n - d	b
7.4	9.2	12.2	24.8	29.1	10	8.2	7.2	6.7x7.9	7.9x9.1	0.6	4	8.9	7.5	8 - φ0.8	-

Project	Project ID	Created by	Created on	Last update
---------	------------	------------	------------	-------------



# Performance Curves

## Vertical In-line Pump - EGM100-8026-11004

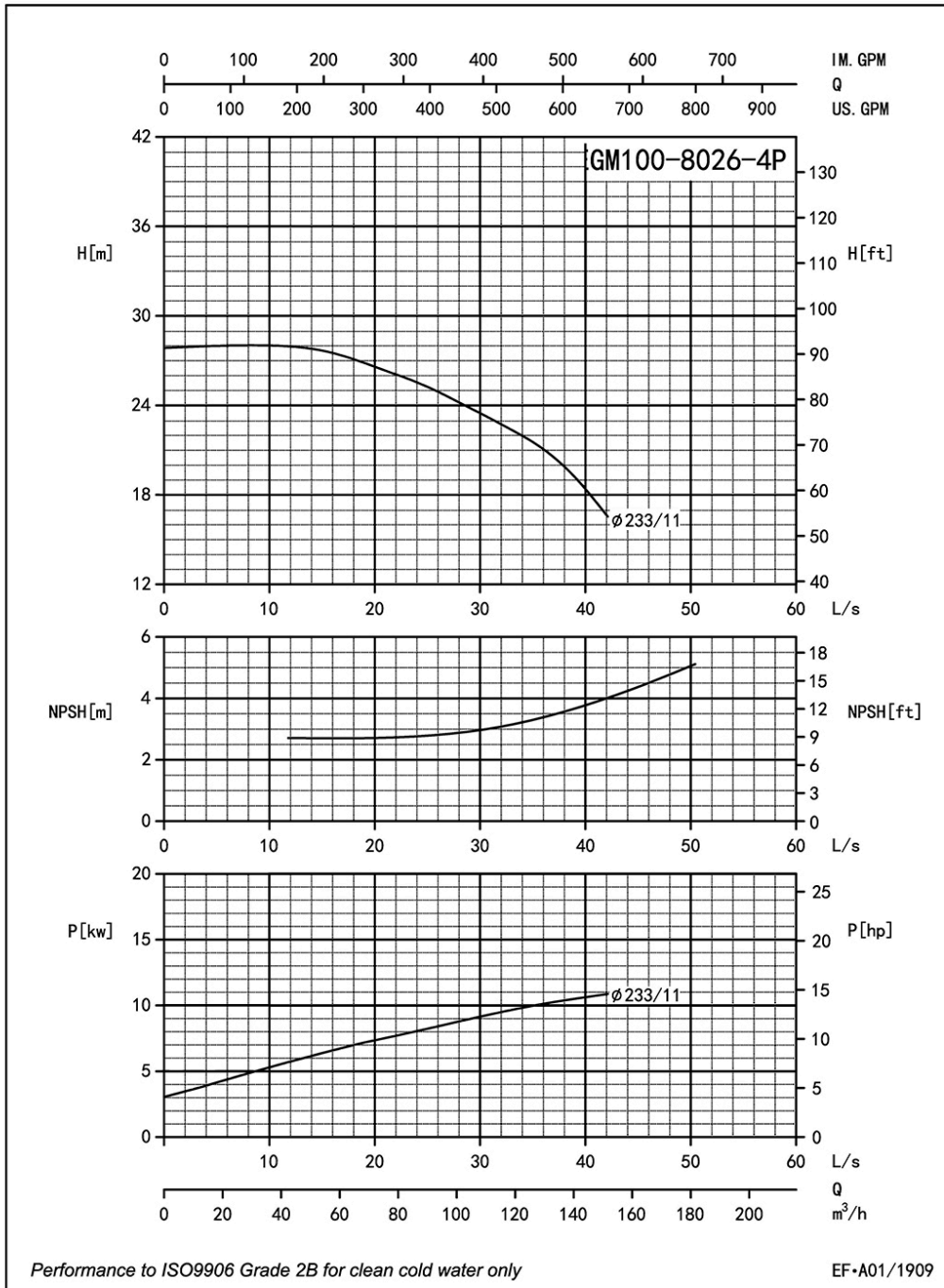
Revision no. \_\_\_\_\_  
 \_\_\_\_\_

Page:  
 2

Receiver	From

Company name  
 Respons. Department  
 Person in charge  
 Phone number  
 Fax no  
 E-mail address

Model	Capacity			Head		Speed	Motor	Voltage	Phase	Impeller Diam.		Eff.	(NPSH)r
	m <sup>3</sup> /h	l/s	gpm	m	ft	r/min	hp	v		mm	inch	%	ft
EGM100-8026-11004	69.1	19.2	304.3	27	89	1760	15	230/460	3	233	9.2	68.5	8.9
	115.2	32	507.2	22.9	75		15					74	11.2
	138.2	38.4	608.7	19.5	64		15					70	13.1



Project	Project ID	Created by	Created on	Last update
---------	------------	------------	------------	-------------



# Parts List

## Vertical In-line Pump - EGM100-8026-11004

Revision no.

Page:  
 3

Receiver

From

Company name  
 Respons. Department  
 Person in charge  
 Phone number  
 Fax no  
 E-mail address



### Parts List

1 Casing	14 Screw
2 Impeller Nut	15 Screw Bolt
3 Flat Washer	16 Screw Nut
4 Spring Washer	17 Screw Bolt
5 Front-Wear Ring	18 1/4 Plug
6 Impeller	19 3/8 Plug
7 Seal Seat	20 Key
8 Mech Seal	21 Screw Nut
9 Casing Gasket	22 Motor
10 Casing Cover	23 Key
11 1/4 Plug	24 Screw
12 Adapter	25 Shaft
13 Guard	

Project	Project ID	Created by	Created on	Last update
---------	------------	------------	------------	-------------