



Technical Data

Vertical In-line Pump - EGM100-8032-18504

Revision no.

Page:

1

Receiver

From

 Company name
 Respons. Department
 Person in charge
 Phone number
 Fax no
 E-mail address

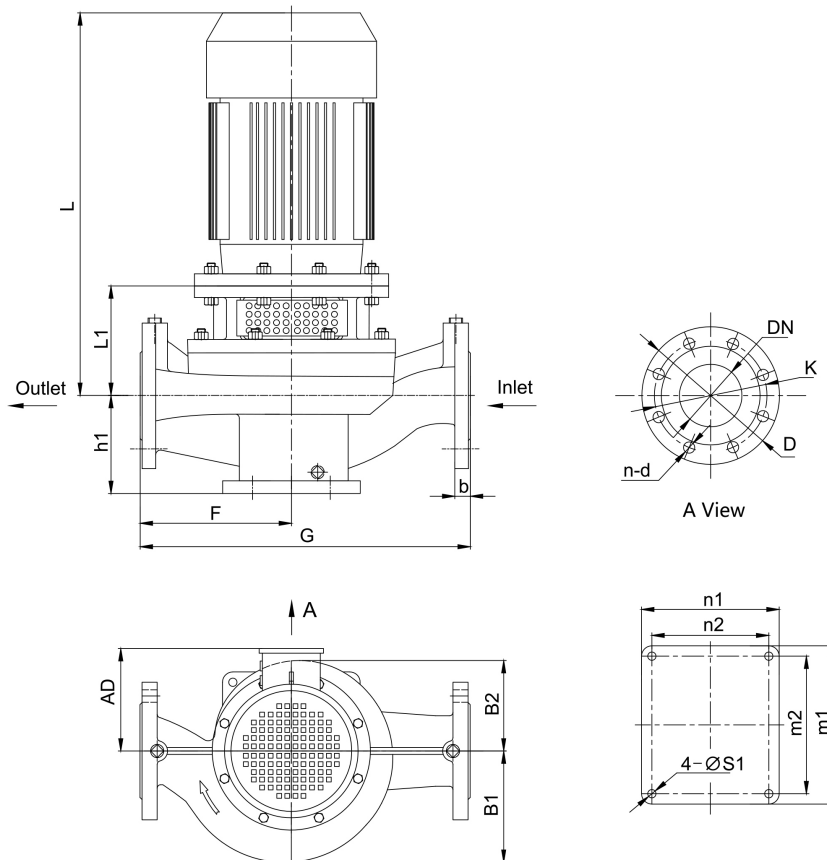


Brand: Gol Pumps
Model: EGM100-8032-18504

Motor (V1)	
Model	HP
Y2-180M-4	25

Weight (lb)		
Pump	Motor	Pump & Motor
281.6	345.4	627

Dimensions:



Pump Installation Size (inch)

h1	L1	F	G	L	AD	B1	B2	n2 x m2	n1 x m1	S1	DN	D	K	n - d	b
7.3	9.3	13.4	27.6	32.5	11	9.3	8.3	7.9x9.8	9.8x11.8	0.7	4	8.9	7.5	8 - φ0.8	-

Project

Project ID

Created by

Created on

Last update



Performance Curves

Vertical In-line Pump - EGM100-8032-18504

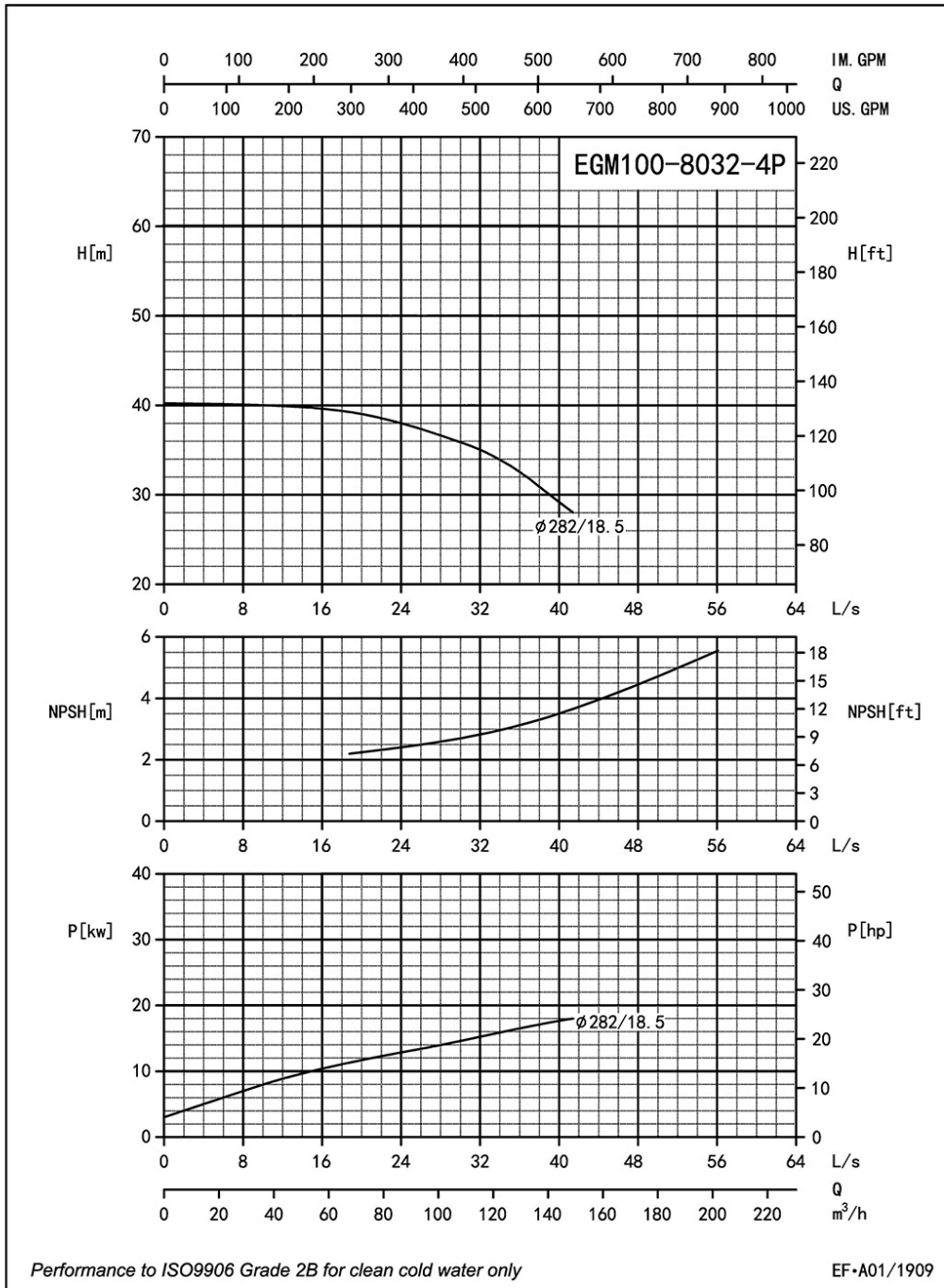
Revision no.

Page:
 2

Receiver	From

Company name
 Respons. Department
 Person in charge
 Phone number
 Fax no
 E-mail address

Model	Capacity			Head		Speed	Motor	Voltage	Phase	Impeller Diam.		Eff.	(NPSH)r
	m ³ /h	l/s	gpm	m	ft	r/min	hp	v		mm	inch	%	ft
EGM100-8032-18504	69.1	19.2	304.3	39	128	1760	25	230/460	3	282	11.1	64	8.2
	115.2	32	507.2	35	115		25					72	11.5
	138.2	38.4	608.7	30.2	99		25					69	14.8



Project	Project ID	Created by	Created on	Last update
---------	------------	------------	------------	-------------



Parts List

Vertical In-line Pump - EGM100-8032-18504

Revision no.

Page:
3

Receiver

From

Company name
Respons. Department
Person in charge
Phone number
Fax no
E-mail address

Parts List

1	Cassing	14	Screw
2	Impeller Nut	15	Screw Bolt
3	Flat Washer	16	Screw Nut
4	Spring Washer	17	Screw Bolt
5	Front-Wear Ring	18	1/4 Plug
6	Impeller	19	3/8 Plug
7	Seal Seat	20	Key
8	Mech Seal	21	Screw Nut
9	Casing Gasket	22	Motor
10	Casing Cover	23	Key
11	1/4 Plug	24	Screw
12	Adapter	25	Shaft
13	Guard		

Project	Project ID	Created by	Created on	Last update
---------	------------	------------	------------	-------------