



# Technical Data

## Vertical In-line Pump - EGM100-8040-45004

Revision no.

Page:  
 1

Company name  
 Respons. Department  
 Person in charge  
 Phone number  
 Fax no  
 E-mail address

Receiver


From

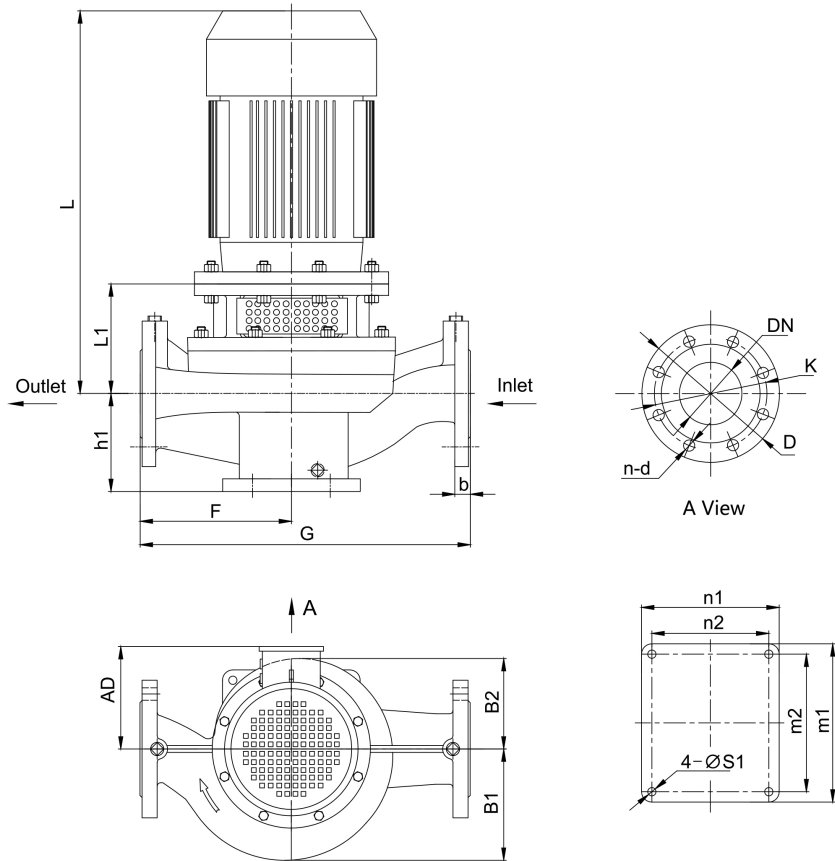



**Brand: Gol Pumps**  
**Model: EGM100-8040-45004**

Motor (V1)	
Model	HP
Y2-225M-4	60

Weight (lb)		
Pump	Motor	Pump & Motor
448.8	686.4	1135.2

**Dimensions:**



Pump Installation Size (inch)															
h1	L1	F	G	L	AD	B1	B2	n2 x m2	n1 x m1	S1	DN	D	K	n - d	b
8.7	11.2	15.7	31.5	38.9	13.2	10.4	9.8	12.2x12.2	14.6x14.6	0.7	4	8.9	7.5	8 - φ0.8	-

Project	Project ID	Created by	Created on	Last update
---------	------------	------------	------------	-------------



# Performance Curves

## Vertical In-line Pump - EGM100-8040-45004

Revision no.

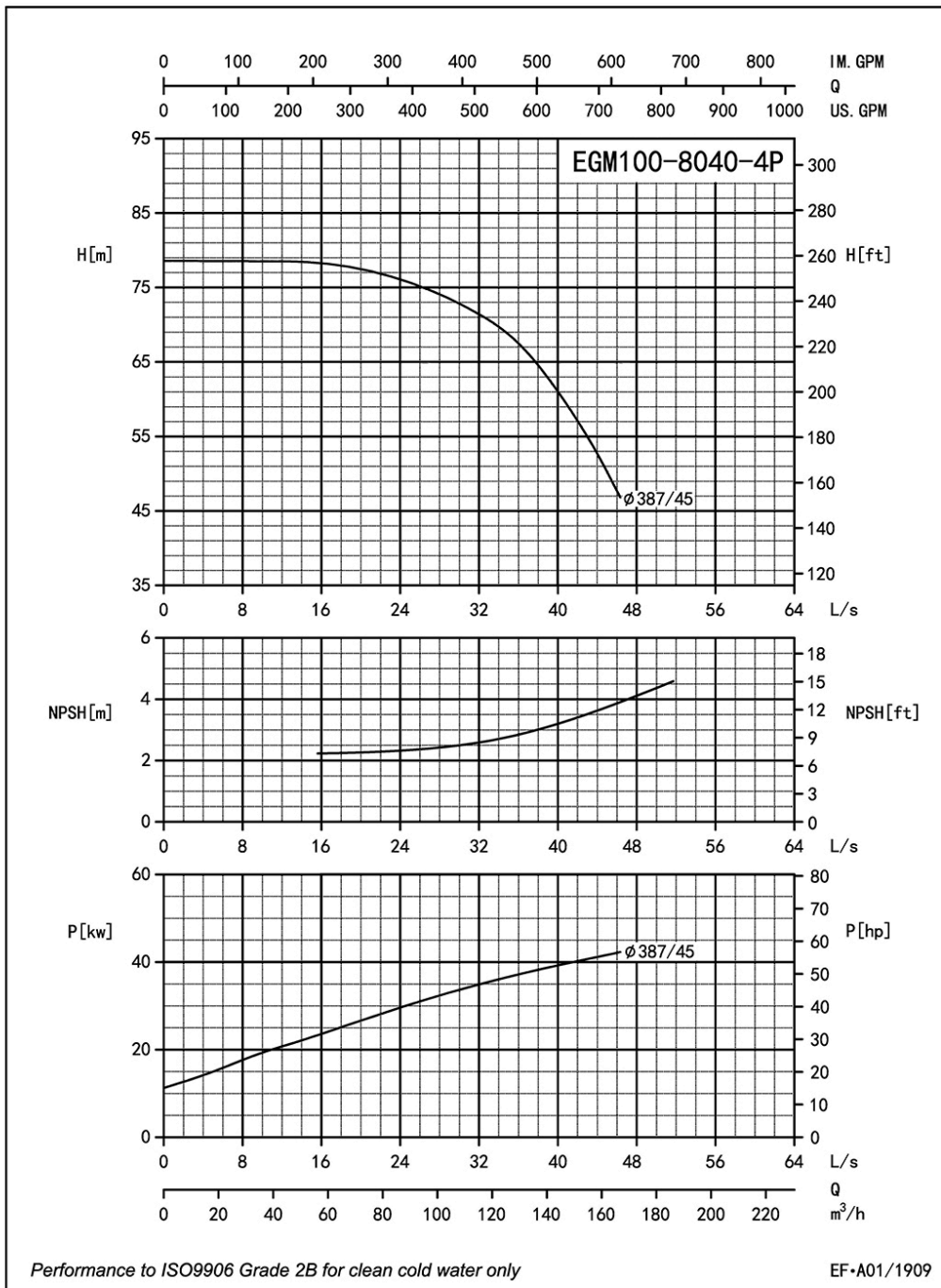
 Page:  
2

Receiver

From

 Company name  
 Respons. Department  
 Person in charge  
 Phone number  
 Fax no  
 E-mail address

Model	Capacity			Head		Speed	Motor	Voltage	Phase	Impeller Diam.		Eff.	(NPSH)r
	m <sup>3</sup> /h	l/s	gpm	m	ft	r/min	hp	v		mm	inch	%	ft
EGM100-8040-45004	73.4	20.4	323.3	77.1	253	1780	60	230/460	3	387	15.2	57	7.5
	122.4	34	538.9	69.5	228		60					64	9.5
	146.9	40.8	646.7	59	194		60					61.5	11.5



Project

Project ID

Created by

Created on

Last update



# Parts List

## Vertical In-line Pump - EGM100-8040-45004

Revision no.

Page:  
3

Receiver

From

Company name  
Respons. Department  
Person in charge  
Phone number  
Fax no  
E-mail address



### Parts List

1 Casing	14 Screw
2 Impeller Nut	15 Screw Bolt
3 Flat Washer	16 Screw Nut
4 Spring Washer	17 Screw Bolt
5 Front-Wear Ring	18 1/4 Plug
6 Impeller	19 3/8 Plug
7 Seal Seat	20 Key
8 Mech Seal	21 Screw Nut
9 Casing Gasket	22 Motor
10 Casing Cover	23 Key
11 1/4 Plug	24 Screw
12 Adapter	25 Shaft
13 Guard	

Project	Project ID	Created by	Created on	Last update
---------	------------	------------	------------	-------------