



# Technical Data

## Vertical In-line Pump - EGM100-8040-55004

Revision no.

 Page:  
1

Receiver

From

 Company name  
 Respons. Department  
 Person in charge  
 Phone number  
 Fax no  
 E-mail address

|  |
|--|
|  |
|  |
|  |
|  |
|  |

|  |
|--|
|  |
|  |
|  |
|  |
|  |

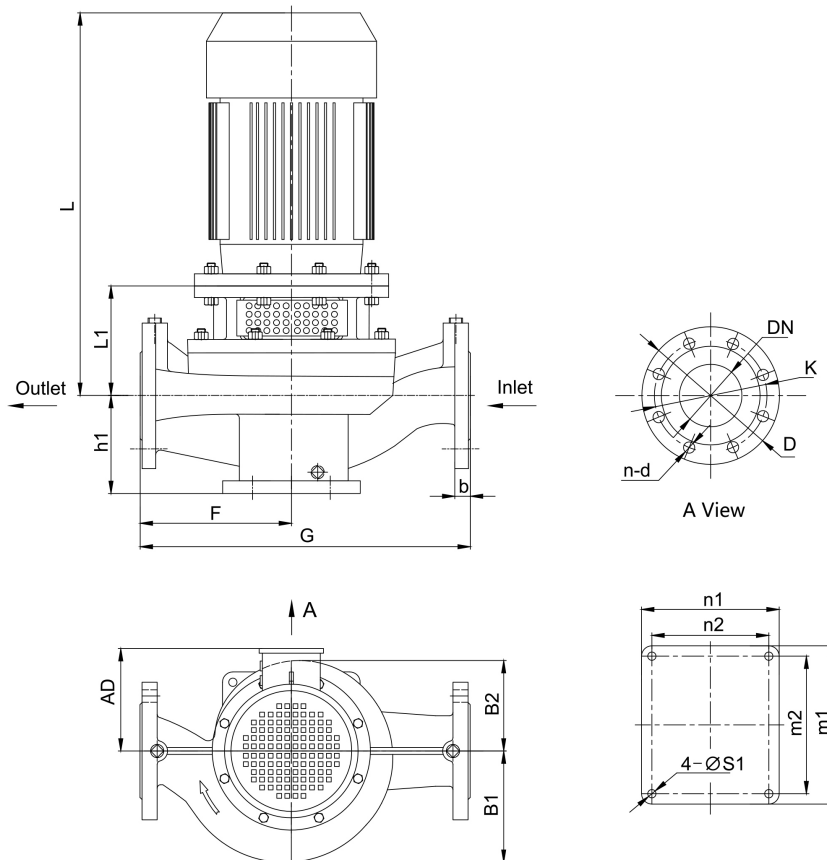


**Brand: Gol Pumps**  
**Model: EGM100-8040-55004**

| Motor (V1) |    |
|------------|----|
| Model      | HP |
| Y2-250M-4  | 75 |

| Weight (lb) |       |              |
|-------------|-------|--------------|
| Pump        | Motor | Pump & Motor |
| 457.6       | 842.6 | 1298         |

### Dimensions:



### Pump Installation Size (inch)

| h1  | L1   | F    | G    | L    | AD   | B1   | B2  | n2 x m2   | n1 x m1   | S1  | DN | D   | K   | n - d          | b |
|-----|------|------|------|------|------|------|-----|-----------|-----------|-----|----|-----|-----|----------------|---|
| 8.7 | 11.2 | 15.7 | 31.5 | 41.5 | 14.6 | 10.4 | 9.8 | 12.2x12.2 | 14.6x14.6 | 0.7 | 4  | 8.9 | 7.5 | 8 - $\phi$ 0.8 | - |

Project

Project ID

Created by

Created on

Last update



# Performance Curves

## Vertical In-line Pump - EGM100-8040-55004

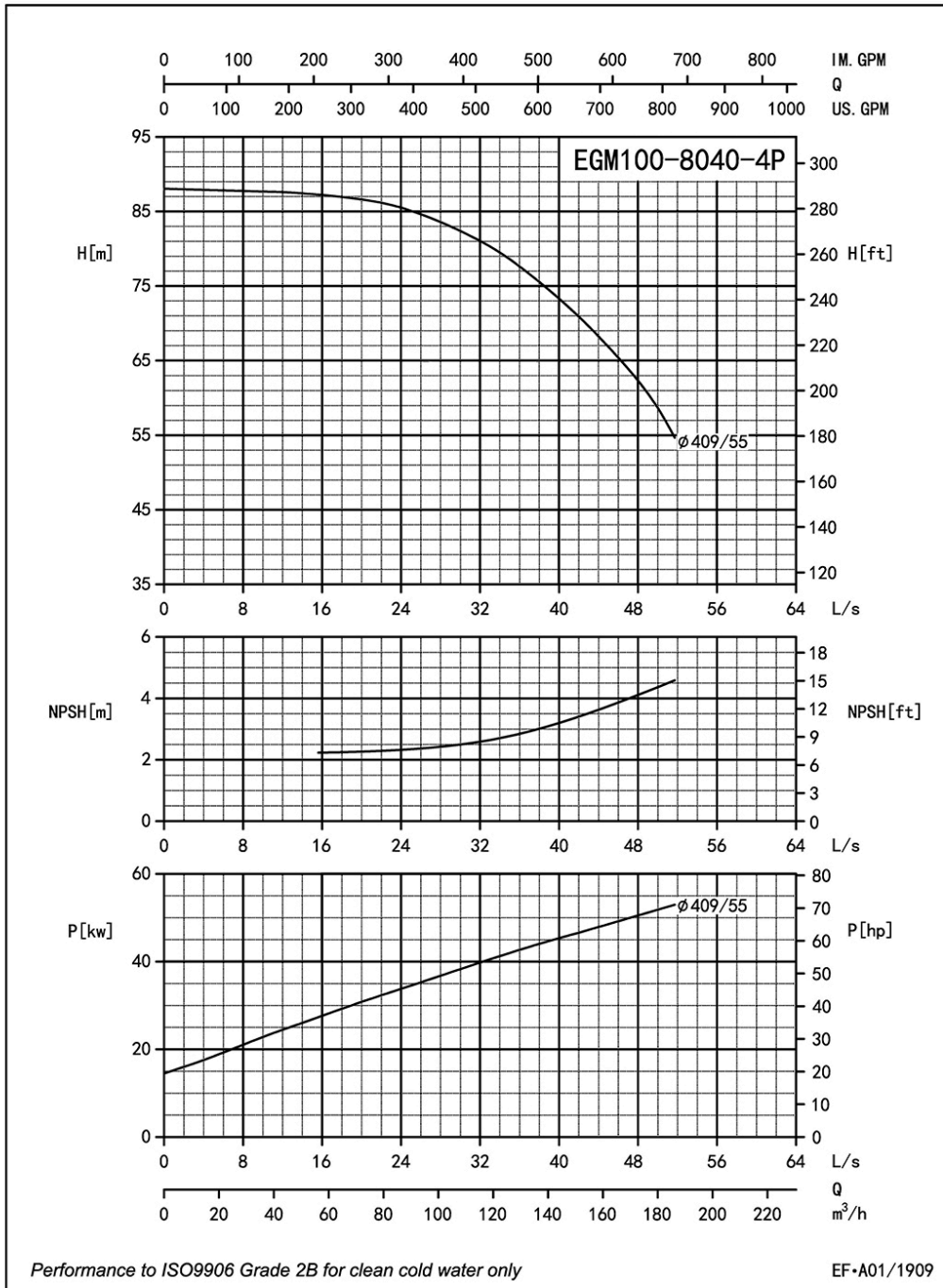
Revision no. \_\_\_\_\_  
 \_\_\_\_\_

Page:  
 2

| Receiver | From |
|----------|------|
|          |      |
|          |      |
|          |      |
|          |      |
|          |      |
|          |      |

Company name  
 Respons. Department  
 Person in charge  
 Phone number  
 Fax no  
 E-mail address

| Model             | Capacity          |      |       | Head |     | Speed<br>r/min | Motor<br>hp | Voltage<br>v | Phase | Impeller Diam. |      | Eff.<br>% | (NPSH)<br>r<br>ft |
|-------------------|-------------------|------|-------|------|-----|----------------|-------------|--------------|-------|----------------|------|-----------|-------------------|
|                   | m <sup>3</sup> /h | l/s  | gpm   | m    | ft  |                |             |              |       | mm             | inch |           |                   |
| EGM100-8040-55004 | 77.8              | 21.6 | 342.4 | 86   | 282 | 1780           | 75          | 230/460      | 3     | 409            | 16.1 | 57        | 7.5               |
|                   | 129.6             | 36   | 570.6 | 77   | 253 |                | 75          |              |       |                |      | 64        | 9.5               |
|                   | 155.5             | 43.2 | 684.7 | 69   | 226 |                | 75          |              |       |                |      | 62        | 11.5              |



|         |            |            |            |             |
|---------|------------|------------|------------|-------------|
| Project | Project ID | Created by | Created on | Last update |
|---------|------------|------------|------------|-------------|



# Parts List

## Vertical In-line Pump - EGM100-8040-55004

Revision no.

Page:  
 3

Receiver

From

Company name  
 Respons. Department  
 Person in charge  
 Phone number  
 Fax no  
 E-mail address

|  |
|--|
|  |
|  |
|  |
|  |
|  |

|  |
|--|
|  |
|  |
|  |
|  |
|  |

### Parts List

|                   |               |
|-------------------|---------------|
| 1 Casing          | 14 Screw      |
| 2 Impeller Nut    | 15 Screw Bolt |
| 3 Flat Washer     | 16 Screw Nut  |
| 4 Spring Washer   | 17 Screw Bolt |
| 5 Front-Wear Ring | 18 1/4 Plug   |
| 6 Impeller        | 19 3/8 Plug   |
| 7 Seal Seat       | 20 Key        |
| 8 Mech Seal       | 21 Screw Nut  |
| 9 Casing Gasket   | 22 Motor      |
| 10 Casing Cover   | 23 Key        |
| 11 1/4 Plug       | 24 Screw      |
| 12 Adapter        | 25 Shaft      |
| 13 Guard          |               |

|         |            |            |            |             |
|---------|------------|------------|------------|-------------|
| Project | Project ID | Created by | Created on | Last update |
|---------|------------|------------|------------|-------------|