



Technical Data

Vertical In-line Pump - EGM50-3216-00554

Revision no.

 Page:
1

Receiver

From

 Company name
 Respons. Department
 Person in charge
 Phone number
 Fax no
 E-mail address

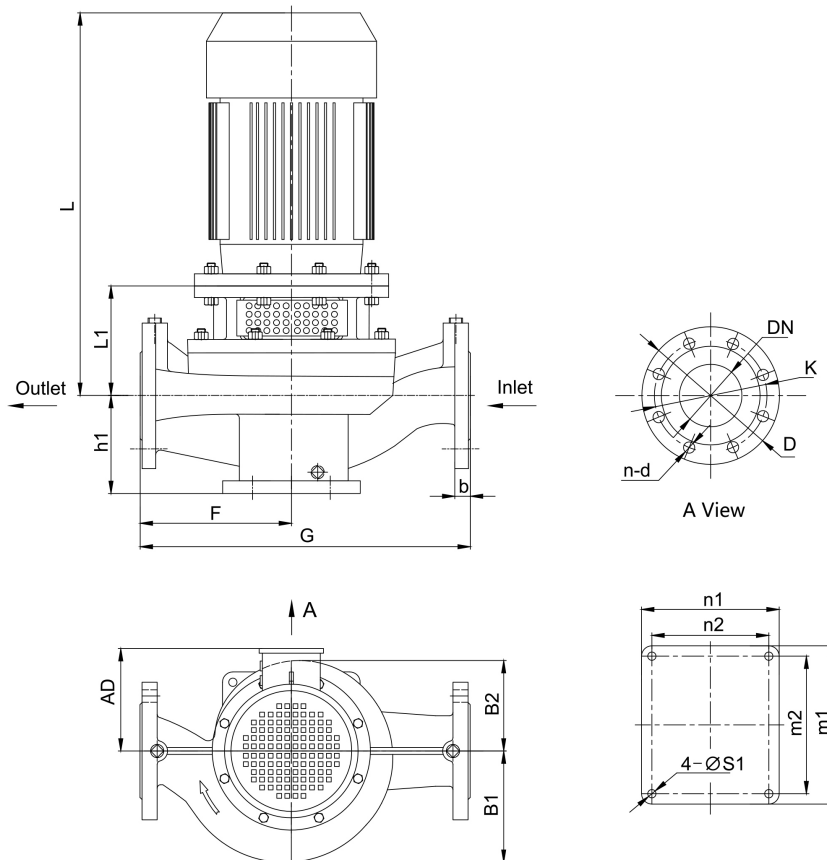


Brand: Gol Pumps
Model: EGM50-3216-00554

Motor (V1)	
Model	HP
Y2-801-4	0.75

Weight (lb)		
Pump	Motor	Pump & Motor
79.2	35.2	114.4

Dimensions:



Pump Installation Size (inch)

h1	L1	F	G	L	AD	B1	B2	n2 x m2	n1 x m1	S1	DN	D	K	n - d	b
4.6	6	6.3	12.6	16	5.7	4.5	4.5	6.7x7.9	7.9x9.1	0.5	2	5.9	4.8	4 - ϕ 0.8	-

Project

Project ID

Created by

Created on

Last update



Performance Curves

Vertical In-line Pump - EGM50-3216-00554

Revision no.

Page:

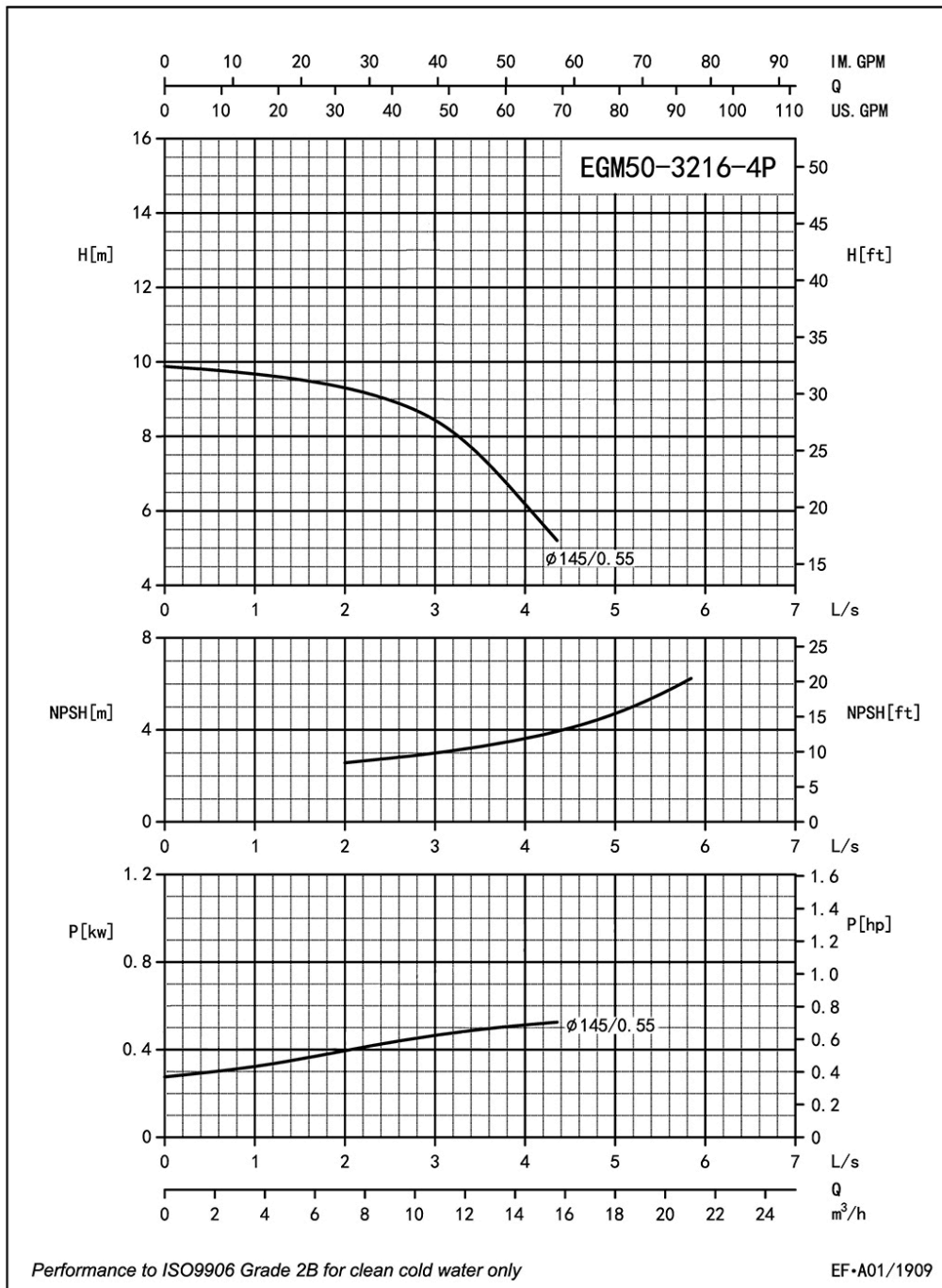
2

Receiver

From

 Company name
 Respons. Department
 Person in charge
 Phone number
 Fax no
 E-mail address

Model	Capacity			Head		Speed	Motor	Voltage	Phase	Impeller Diam.		Eff.	(NPSH)r
	m ³ /h	l/s	gpm	m	ft	r/min	hp	v		mm	inch	%	ft
EGM50-3216-00554	6.8	1.9	30.4	9.4	31	1710	0.75	230/460	3	145	5.7	44	9.5
	11.5	3.2	50.7	8	26		0.75					53	12.5
	13.7	3.8	60.9	6.5	21		0.75					46	16.1



Project

Project ID

Created by

Created on

Last update



Parts List

Vertical In-line Pump - EGM50-3216-00554

Revision no.

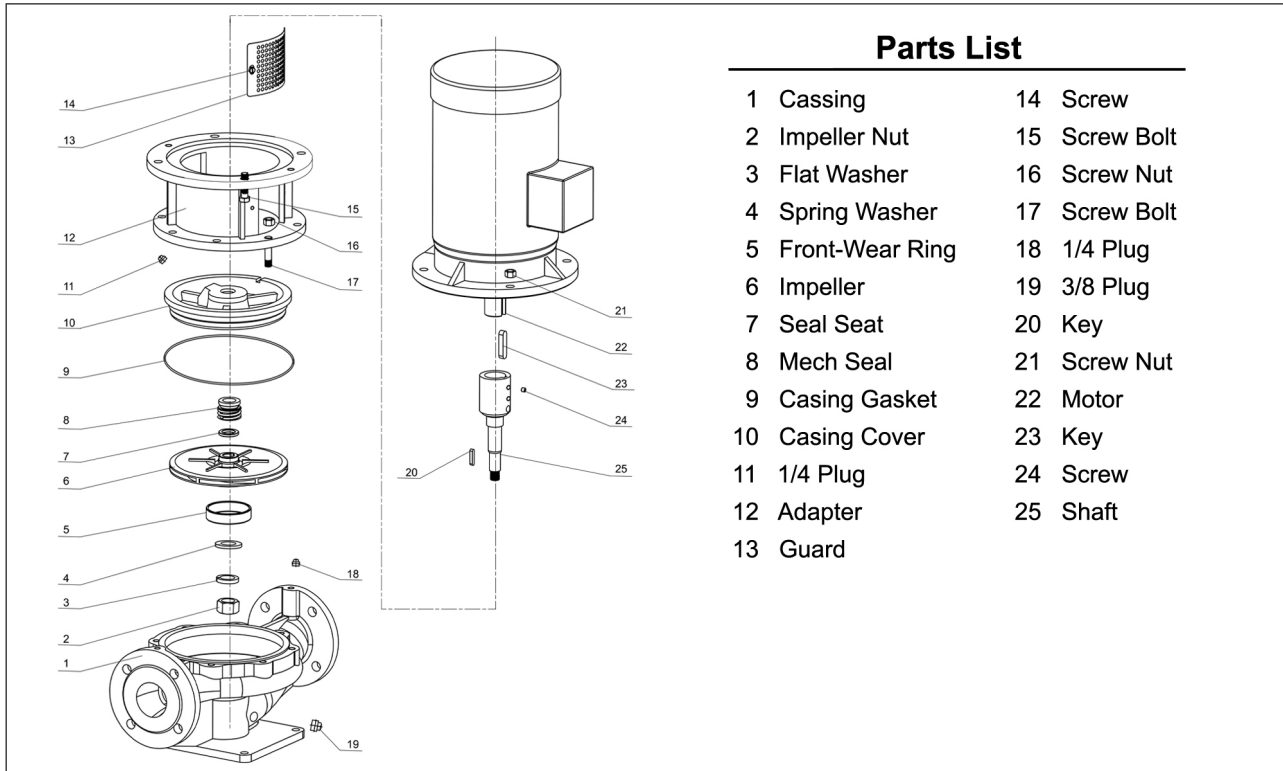
Page:

3

Receiver

From

 Company name
 Respons. Department
 Person in charge
 Phone number
 Fax no
 E-mail address



Project

Project ID

Created by

Created on

Last update