



# Technical Data

## Vertical In-line Pump - EGM50-3220-01504

Revision no.

Page:  
 1

|                     | Receiver | From |
|---------------------|----------|------|
| Company name        |          |      |
| Respons. Department |          |      |
| Person in charge    |          |      |
| Phone number        |          |      |
| Fax no              |          |      |
| E-mail address      |          |      |

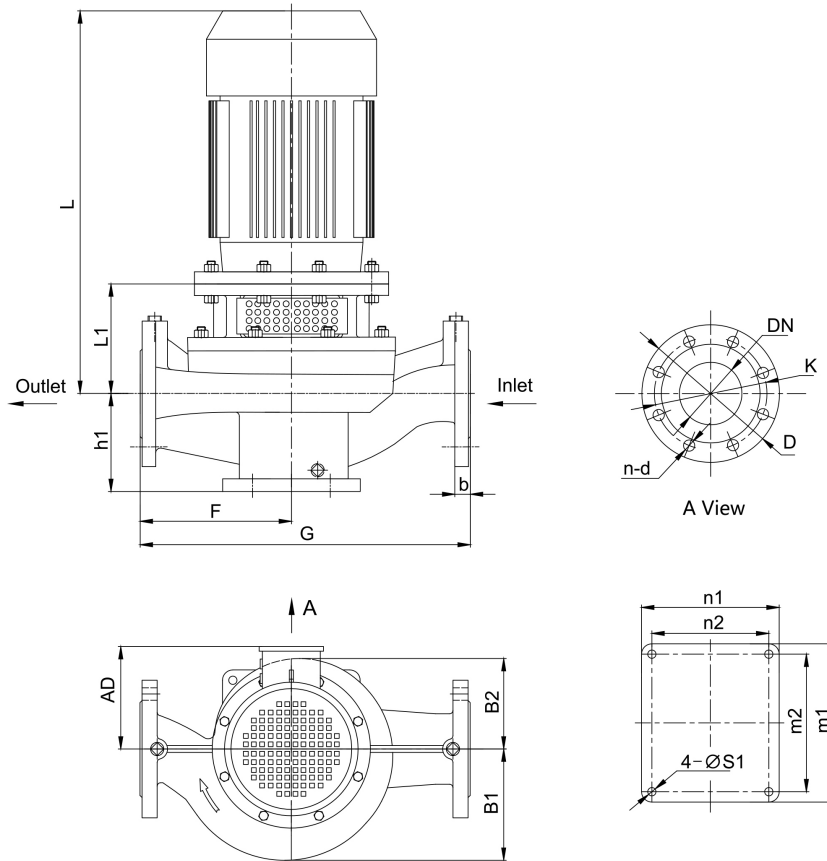


**Brand: Gol Pumps**  
**Model: EGM50-3220-01504**

| Motor (V1) |    |
|------------|----|
| Model      | HP |
| Y2-90L-4   | 2  |

| Weight (lb) |       |              |
|-------------|-------|--------------|
| Pump        | Motor | Pump & Motor |
| 101.2       | 59.4  | 158.4        |

**Dimensions:**



| Pump Installation Size (inch) |     |     |      |      |     |     |     |         |         |     |    |     |     |          |   |
|-------------------------------|-----|-----|------|------|-----|-----|-----|---------|---------|-----|----|-----|-----|----------|---|
| h1                            | L1  | F   | G    | L    | AD  | B1  | B2  | n2 x m2 | n1 x m1 | S1  | DN | D   | K   | n - d    | b |
| 4.6                           | 5.9 | 8.3 | 16.5 | 16.6 | 6.1 | 5.4 | 5.3 | 6.7x7.9 | 7.9x9.1 | 0.6 | 2  | 5.9 | 4.8 | 4 - φ0.8 | - |

|         |            |            |            |             |
|---------|------------|------------|------------|-------------|
| Project | Project ID | Created by | Created on | Last update |
|---------|------------|------------|------------|-------------|



# Performance Curves

## Vertical In-line Pump - EGM50-3220-01504

Revision no.

Page:

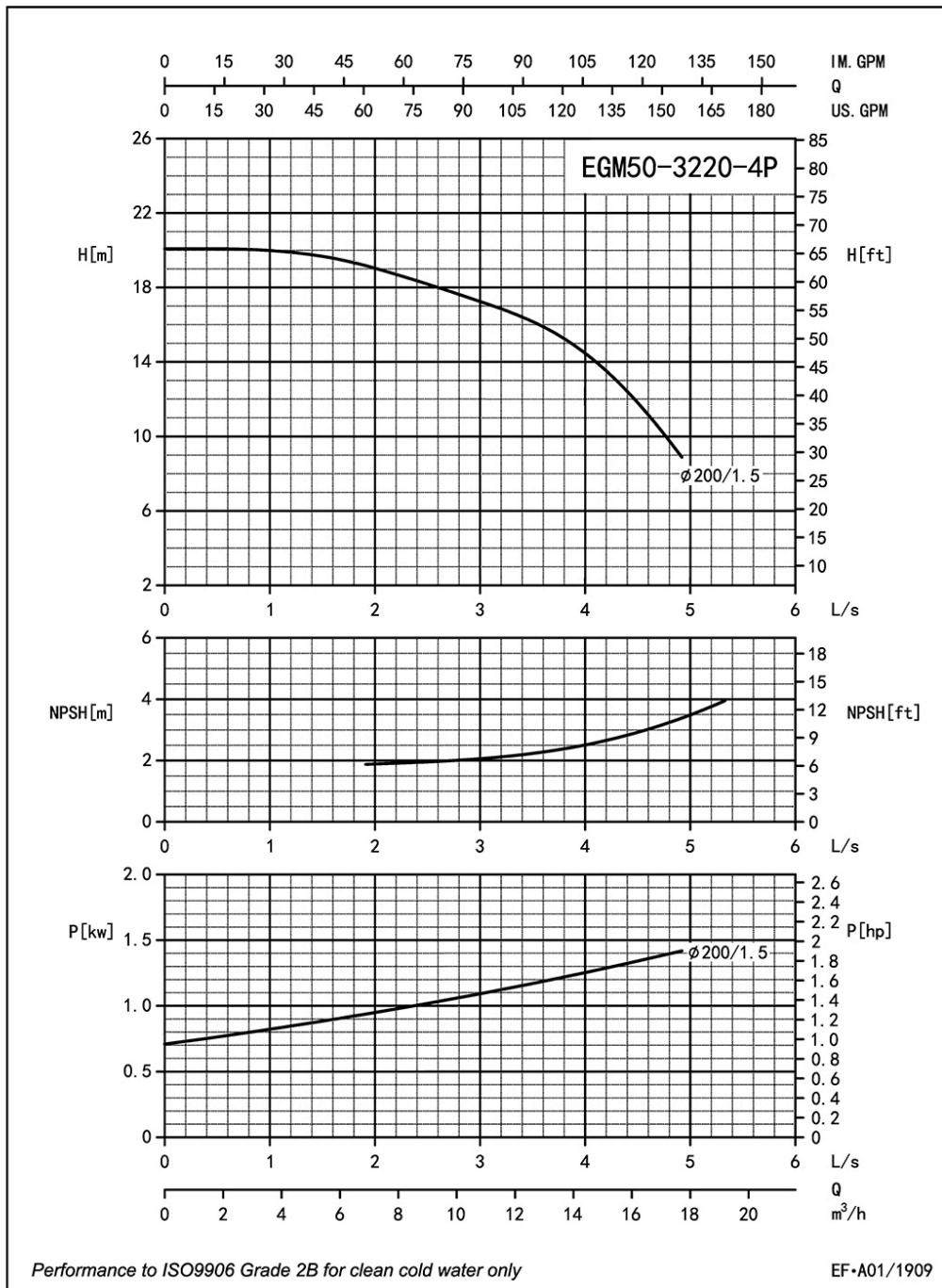
2

Receiver

From

 Company name  
 Respons. Department  
 Person in charge  
 Phone number  
 Fax no  
 E-mail address

| Model            | Capacity          |     |      | Head |    | Speed | Motor | Voltage | Phase | Impeller Diam. |      | Eff. | (NPSH)r |
|------------------|-------------------|-----|------|------|----|-------|-------|---------|-------|----------------|------|------|---------|
|                  | m <sup>3</sup> /h | l/s | gpm  | m    | ft | r/min | hp    | v       |       | mm             | inch | %    | ft      |
| EGM50-3220-01504 | 7.9               | 2.2 | 34.2 | 18.8 | 62 | 1710  | 2     | 230/460 | 3     | 200            | 7.9  | 42   | 6.6     |
|                  | 13                | 3.6 | 57.1 | 16   | 52 |       | 2     |         |       |                |      | 48   | 7.9     |
|                  | 15.5              | 4.3 | 68.5 | 13   | 43 |       | 2     |         |       |                |      | 45   | 9.8     |



Project

Project ID

Created by

Created on

Last update



# Parts List

## Vertical In-line Pump - EGM50-3220-01504

Revision no.

Page:  
 3

|                     | Receiver | From |
|---------------------|----------|------|
| Company name        |          |      |
| Respons. Department |          |      |
| Person in charge    |          |      |
| Phone number        |          |      |
| Fax no              |          |      |
| E-mail address      |          |      |

### Parts List

|                   |               |
|-------------------|---------------|
| 1 Cassing         | 14 Screw      |
| 2 Impeller Nut    | 15 Screw Bolt |
| 3 Flat Washer     | 16 Screw Nut  |
| 4 Spring Washer   | 17 Screw Bolt |
| 5 Front-Wear Ring | 18 1/4 Plug   |
| 6 Impeller        | 19 3/8 Plug   |
| 7 Seal Seat       | 20 Key        |
| 8 Mech Seal       | 21 Screw Nut  |
| 9 Casing Gasket   | 22 Motor      |
| 10 Casing Cover   | 23 Key        |
| 11 1/4 Plug       | 24 Screw      |
| 12 Adapter        | 25 Shaft      |
| 13 Guard          |               |

| Project | Project ID | Created by | Created on | Last update |
|---------|------------|------------|------------|-------------|
|         |            |            |            |             |