



# Technical Data

## Vertical In-line Pump - EGM50-3226-02204

Revision no.

 Page:  
1

Receiver

From

 Company name  
 Respons. Department  
 Person in charge  
 Phone number  
 Fax no  
 E-mail address



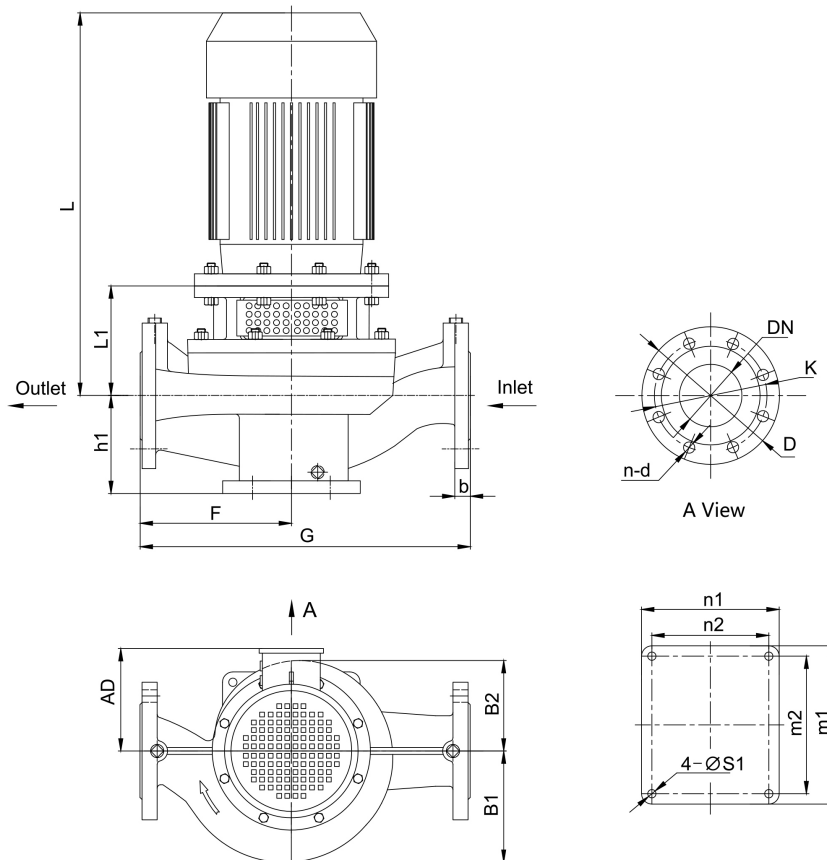


**Brand: Gol Pumps**  
**Model: EGM50-3226-02204**

Motor (V1)	
Model	HP
Y2-100L1-4	3

Weight (lb)		
Pump	Motor	Pump & Motor
136.4	74.8	211.2

### Dimensions:



### Pump Installation Size (inch)

h1	L1	F	G	L	AD	B1	B2	n2 x m2	n1 x m1	S1	DN	D	K	n - d	b
4.6	6.8	9.1	18.5	19.6	7.1	6.6	6.6	6.7x7.9	7.9x9.1	0.6	2	5.9	4.8	4 - $\phi$ 0.8	-

Project

Project ID

Created by

Created on

Last update



# Performance Curves

## Vertical In-line Pump - EGM50-3226-02204

Revision no.

Page:

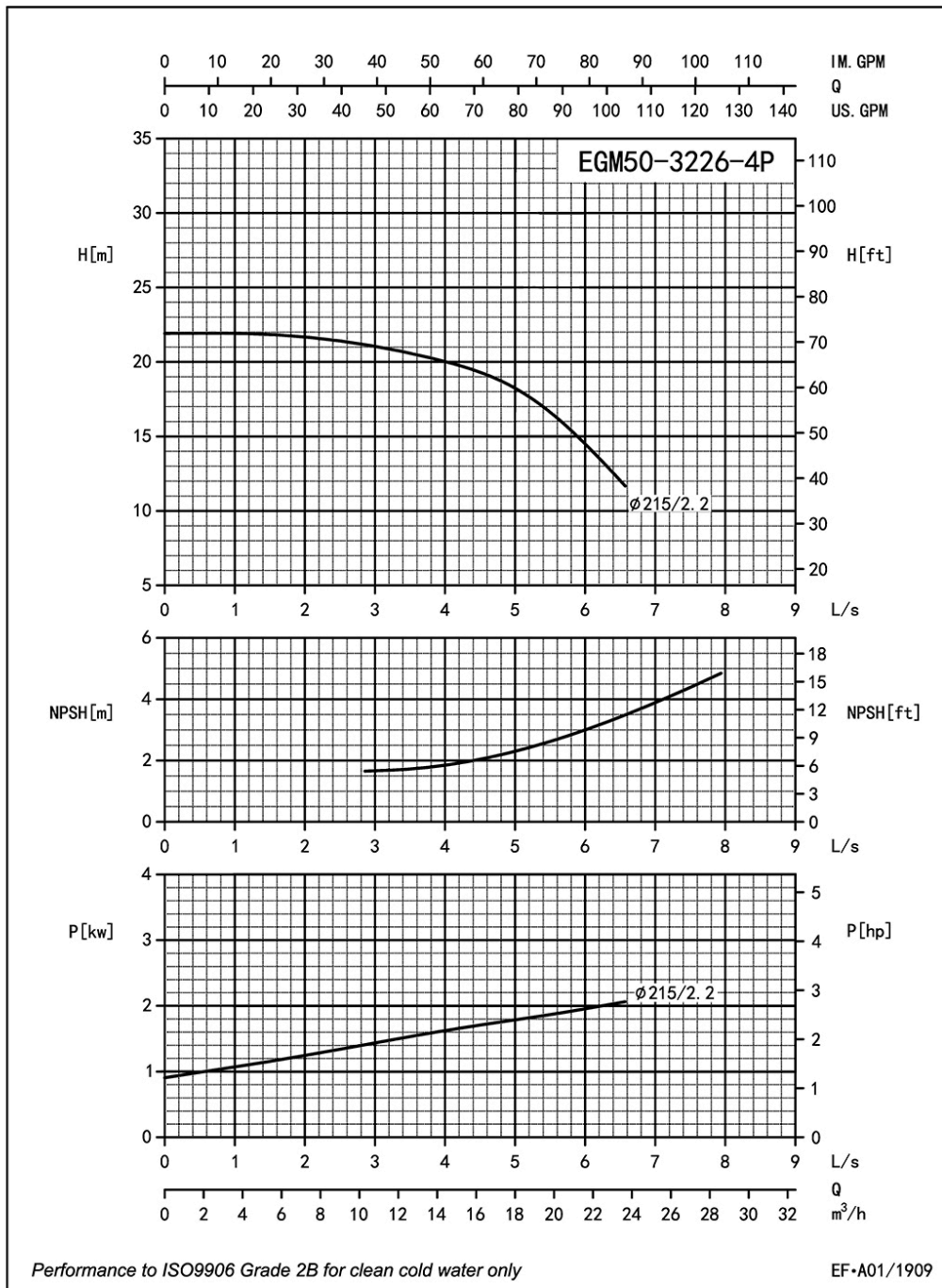
2

Receiver

From

 Company name  
 Respons. Department  
 Person in charge  
 Phone number  
 Fax no  
 E-mail address

Model	Capacity			Head		Speed	Motor	Voltage	Phase	Impeller Diam.		Eff.	(NPSH)r
	m <sup>3</sup> /h	l/s	gpm	m	ft	r/min	hp	v		mm	inch	%	ft
EGM50-3226-02204	10.1	2.8	43.7	21	69	1710	3	230/460	3	215	8.5	41	5.6
	16.6	4.6	72.9	19	62		3					50.5	10.5
	19.8	5.5	87.5	16.5	54		3					45	14.1



Project

Project ID

Created by

Created on

Last update



# Parts List

## Vertical In-line Pump - EGM50-3226-02204

Revision no.

Page:

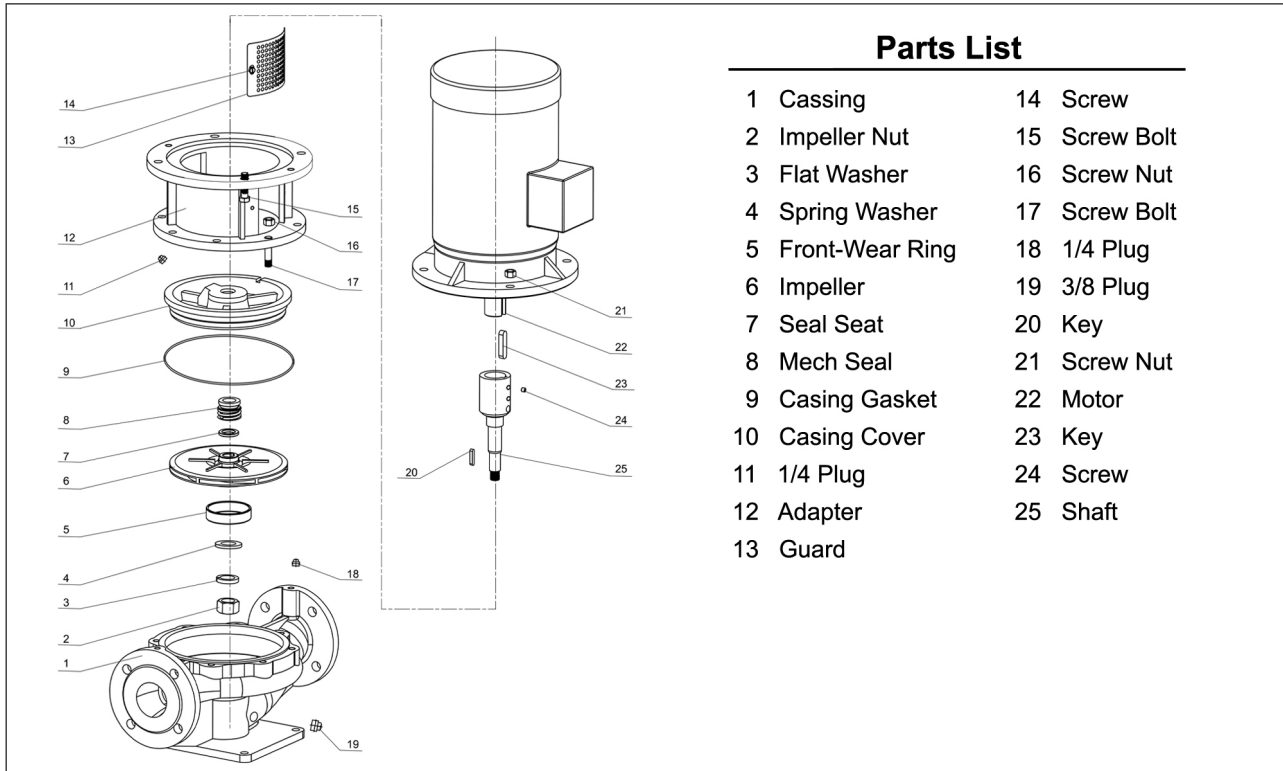
3

Receiver

From

 Company name  
 Respons. Department  
 Person in charge  
 Phone number  
 Fax no  
 E-mail address





Project

Project ID

Created by

Created on

Last update