



Technical Data

Vertical In-line Pump - EGM65-4013-00554

Revision no.

Page:

1

Receiver

From

 Company name
 Respons. Department
 Person in charge
 Phone number
 Fax no
 E-mail address

--	--

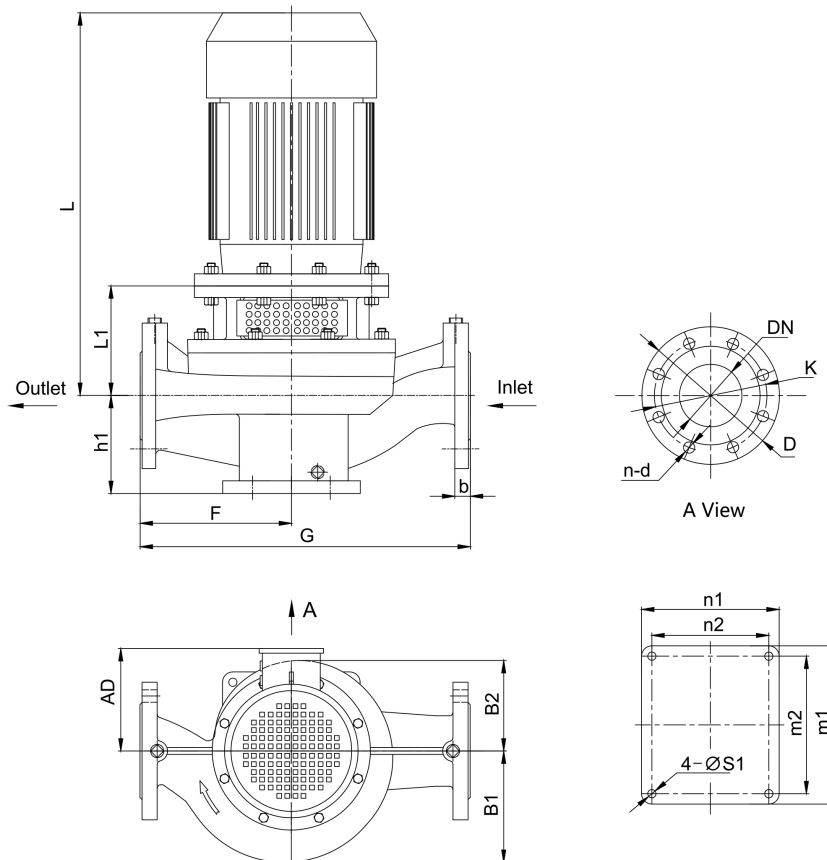


Brand: Gol Pumps
Model: EGM65-4013-00554

Motor (V1)	
Model	HP
Y2-801-4	0.75

Weight (lb)		
Pump	Motor	Pump & Motor
81.4	35.2	116.6

Dimensions:



Pump Installation Size (inch)

h1	L1	F	G	L	AD	B1	B2	n2 x m2	n1 x m1	S1	DN	D	K	n - d	b
5	6	6.9	14.2	16	5.7	4.4	3.9	6.7x7.9	7.9x9.1	0.5	2.5	6.9	5.5	4 - ϕ 0.8	-

Project

Project ID

Created by

Created on

Last update



Performance Curves

Vertical In-line Pump - EGM65-4013-00554

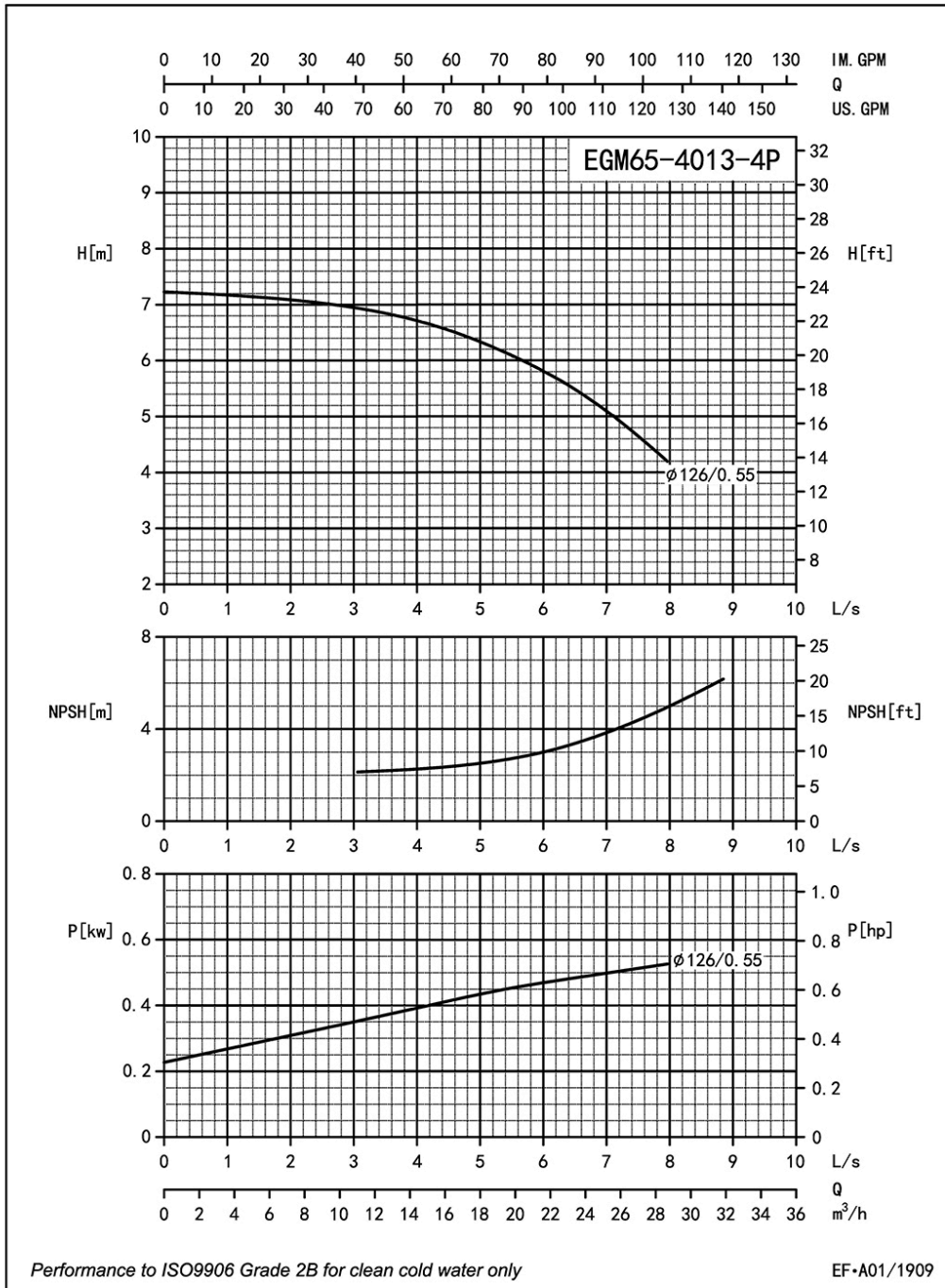
Revision no.

Page:
 2

Receiver	From

Company name
 Respons. Department
 Person in charge
 Phone number
 Fax no
 E-mail address

Model	Capacity			Head		Speed	Motor	Voltage	Phase	Impeller Diam.		Eff.	(NPSH)r
	m ³ /h	l/s	gpm	m	ft	r/min	hp	v		mm	inch	%	ft
EGM65-4013-00554	13	3.6	57.1	6.8	22	1710	0.75	230/460	3	126	5	62	7.2
	21.6	6	95.1	5.8	19		0.75					72	12.1
	25.9	7.2	114.1	4.9	16		0.75					71.5	17.4



Project	Project ID	Created by	Created on	Last update
---------	------------	------------	------------	-------------



Parts List

Vertical In-line Pump - EGM65-4013-00554

Revision no.

Page:
 3

Receiver

From

Company name
 Respons. Department
 Person in charge
 Phone number
 Fax no
 E-mail address

Parts List

1 Casing	14 Screw
2 Impeller Nut	15 Screw Bolt
3 Flat Washer	16 Screw Nut
4 Spring Washer	17 Screw Bolt
5 Front-Wear Ring	18 1/4 Plug
6 Impeller	19 3/8 Plug
7 Seal Seat	20 Key
8 Mech Seal	21 Screw Nut
9 Casing Gasket	22 Motor
10 Casing Cover	23 Key
11 1/4 Plug	24 Screw
12 Adapter	25 Shaft
13 Guard	

Project	Project ID	Created by	Created on	Last update
---------	------------	------------	------------	-------------