



Technical Data

Vertical In-line Pump - EGM65-4016-00554

Revision no.

 Page:
1

Receiver

From

 Company name
 Respons. Department
 Person in charge
 Phone number
 Fax no
 E-mail address

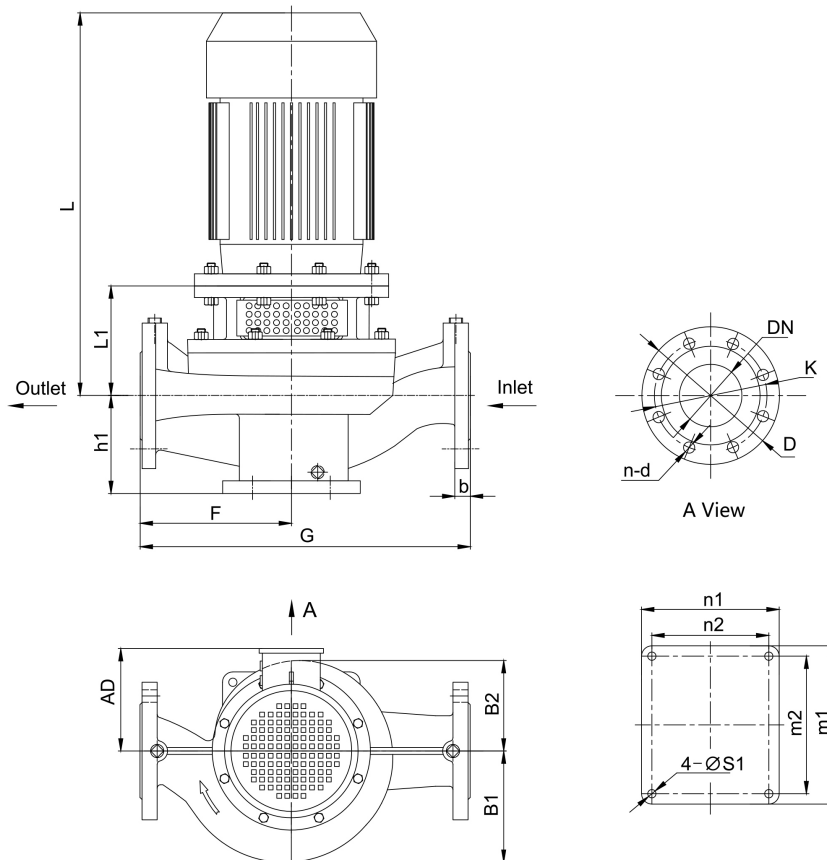


Brand: Gol Pumps
Model: EGM65-4016-00554

Motor (V1)	
Model	HP
Y2-801-4	0.75

Weight (lb)		
Pump	Motor	Pump & Motor
92.4	35.2	127.6

Dimensions:



Pump Installation Size (inch)

h1	L1	F	G	L	AD	B1	B2	n2 x m2	n1 x m1	S1	DN	D	K	n - d	b
5.4	6	6.9	14.6	16	5.7	5	4.5	6.7x7.9	7.9x9.1	0.5	2.5	6.9	5.5	4 - φ0.8	-

Project

Project ID

Created by

Created on

Last update



Performance Curves

Vertical In-line Pump - EGM65-4016-00554

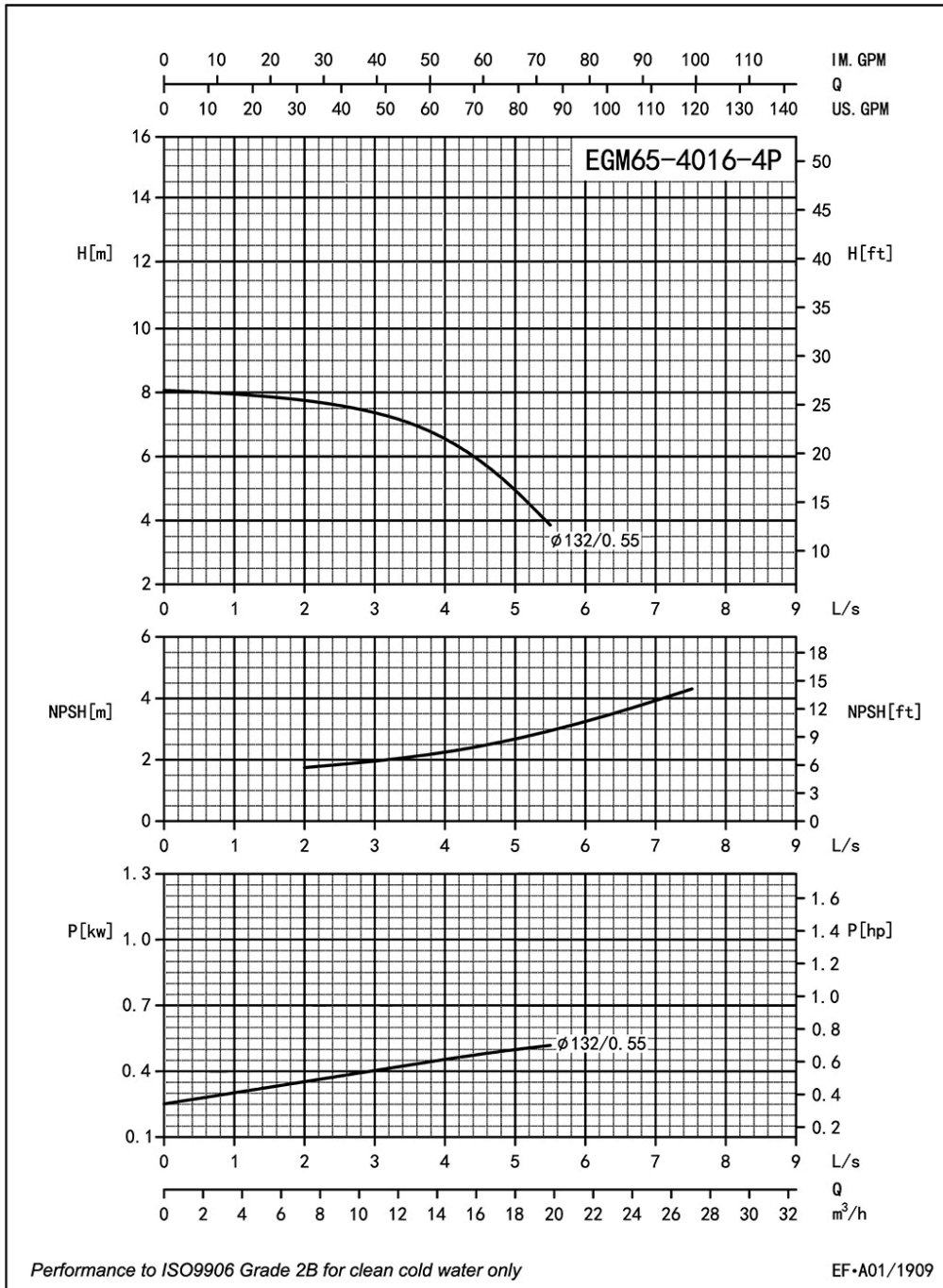
Revision no. _____

Page:
 2

Receiver	From

Company name
 Respons. Department
 Person in charge
 Phone number
 Fax no
 E-mail address

Model	Capacity			Head		Speed r/min	Motor hp	Voltage v	Phase	Impeller Diam.		Eff. %	(NPSH)r ft
	m ³ /h	l/s	gpm	m	ft					mm	inch		
EGM65-4016-00554	8.3	2.3	36.1	7.6	25	1710	0.75	230/460	3	132	5.2	46	6.6
	13.7	3.8	60.2	6.7	22		0.75					56	9.8
	16.6	4.6	72.3	5.6	18		0.75					51	11.5



Project	Project ID	Created by	Created on	Last update



Parts List

Vertical In-line Pump - EGM65-4016-00554

Revision no.

Page:
3

Receiver

From

Company name
Respons. Department
Person in charge
Phone number
Fax no
E-mail address

Parts List

1 Casing	14 Screw
2 Impeller Nut	15 Screw Bolt
3 Flat Washer	16 Screw Nut
4 Spring Washer	17 Screw Bolt
5 Front-Wear Ring	18 1/4 Plug
6 Impeller	19 3/8 Plug
7 Seal Seat	20 Key
8 Mech Seal	21 Screw Nut
9 Casing Gasket	22 Motor
10 Casing Cover	23 Key
11 1/4 Plug	24 Screw
12 Adapter	25 Shaft
13 Guard	

Project	Project ID	Created by	Created on	Last update
---------	------------	------------	------------	-------------