



# Technical Data

## Vertical In-line Pump - EGM65-4016-00754

Revision no.

Page:

1

Receiver

From

 Company name  
 Respons. Department  
 Person in charge  
 Phone number  
 Fax no  
 E-mail address

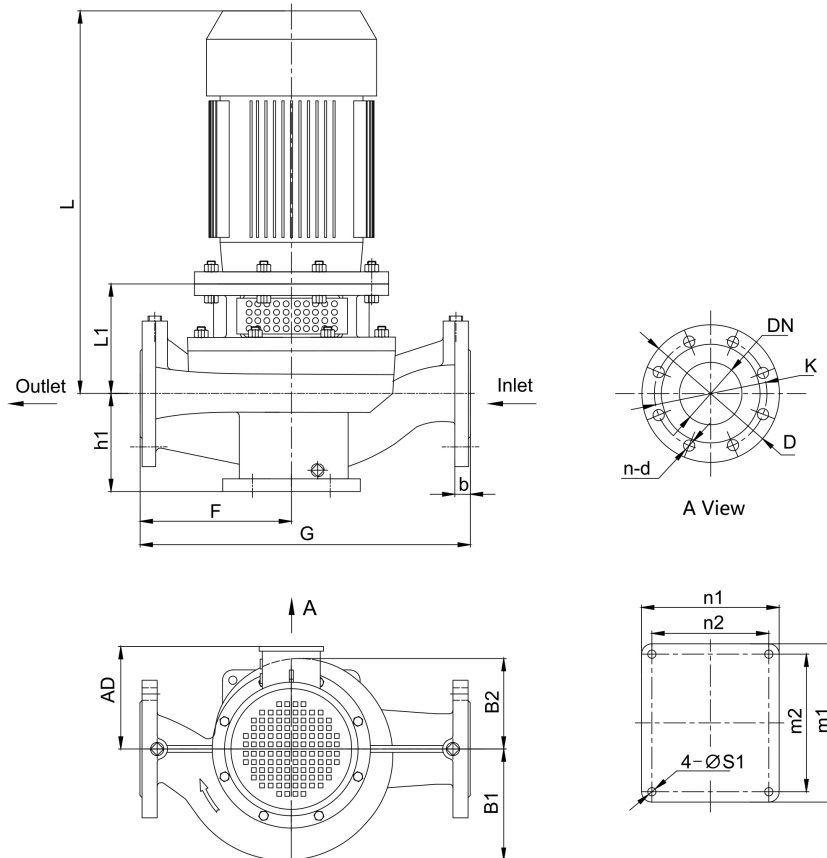
|  |  |
|--|--|
|  |  |
|--|--|



**Brand: Gol Pumps**  
**Model: EGM65-4016-00754**

| Motor (V1) |    |
|------------|----|
| Model      | HP |
| Y2-802-4   | 1  |

| Weight (lb) |       |              |
|-------------|-------|--------------|
| Pump        | Motor | Pump & Motor |
| 92.4        | 37.4  | 129.8        |

**Dimensions:**

**Pump Installation Size (inch)**

| h1  | L1 | F   | G    | L  | AD  | B1 | B2  | n2 x m2 | n1 x m1 | S1  | DN  | D   | K   | n - d    | b |
|-----|----|-----|------|----|-----|----|-----|---------|---------|-----|-----|-----|-----|----------|---|
| 5.4 | 6  | 6.9 | 14.6 | 16 | 5.7 | 5  | 4.5 | 6.7x7.9 | 7.9x9.1 | 0.5 | 2.5 | 6.9 | 5.5 | 4 - φ0.8 | - |

Project

Project ID

Created by

Created on

Last update



# Performance Curves

## Vertical In-line Pump - EGM65-4016-00754

Revision no.

Page:  
 2

Receiver

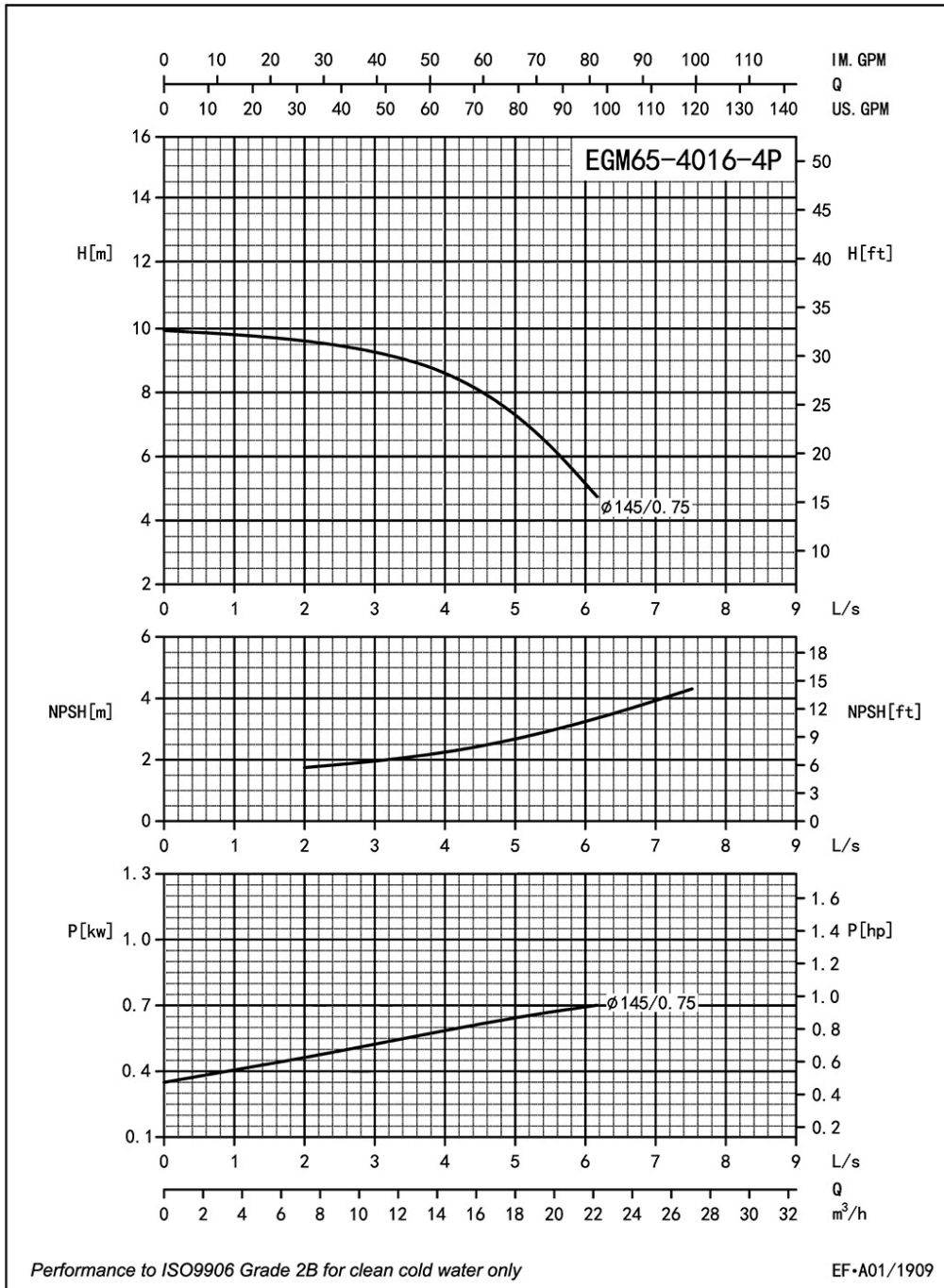
From

Company name  
 Respons. Department  
 Person in charge  
 Phone number  
 Fax no  
 E-mail address

|  |
|--|
|  |
|  |
|  |
|  |
|  |

|  |
|--|
|  |
|  |
|  |
|  |
|  |

| Model            | Capacity          |     |      | Head |    | Speed<br>r/min | Motor<br>hp | Voltage<br>v | Phase | Impeller Diam. |      | Eff.<br>% | (NPSH)r<br>ft |
|------------------|-------------------|-----|------|------|----|----------------|-------------|--------------|-------|----------------|------|-----------|---------------|
|                  | m <sup>3</sup> /h | l/s | gpm  | m    | ft |                |             |              |       | mm             | inch |           |               |
| EGM65-4016-00754 | 9.7               | 2.7 | 42.8 | 9.4  | 31 | 1710           | 1           | 230/460      | 3     | 145            | 5.7  | 49        | 6.6           |
|                  | 16.2              | 4.5 | 71.3 | 8    | 26 |                | 1           |              |       |                |      | 57        | 9.8           |
|                  | 19.4              | 5.4 | 85.6 | 6.5  | 21 |                | 1           |              |       |                |      | 52        | 11.5          |



|         |            |            |            |             |
|---------|------------|------------|------------|-------------|
| Project | Project ID | Created by | Created on | Last update |
|---------|------------|------------|------------|-------------|



# Parts List

## Vertical In-line Pump - EGM65-4016-00754

Revision no.

Page:

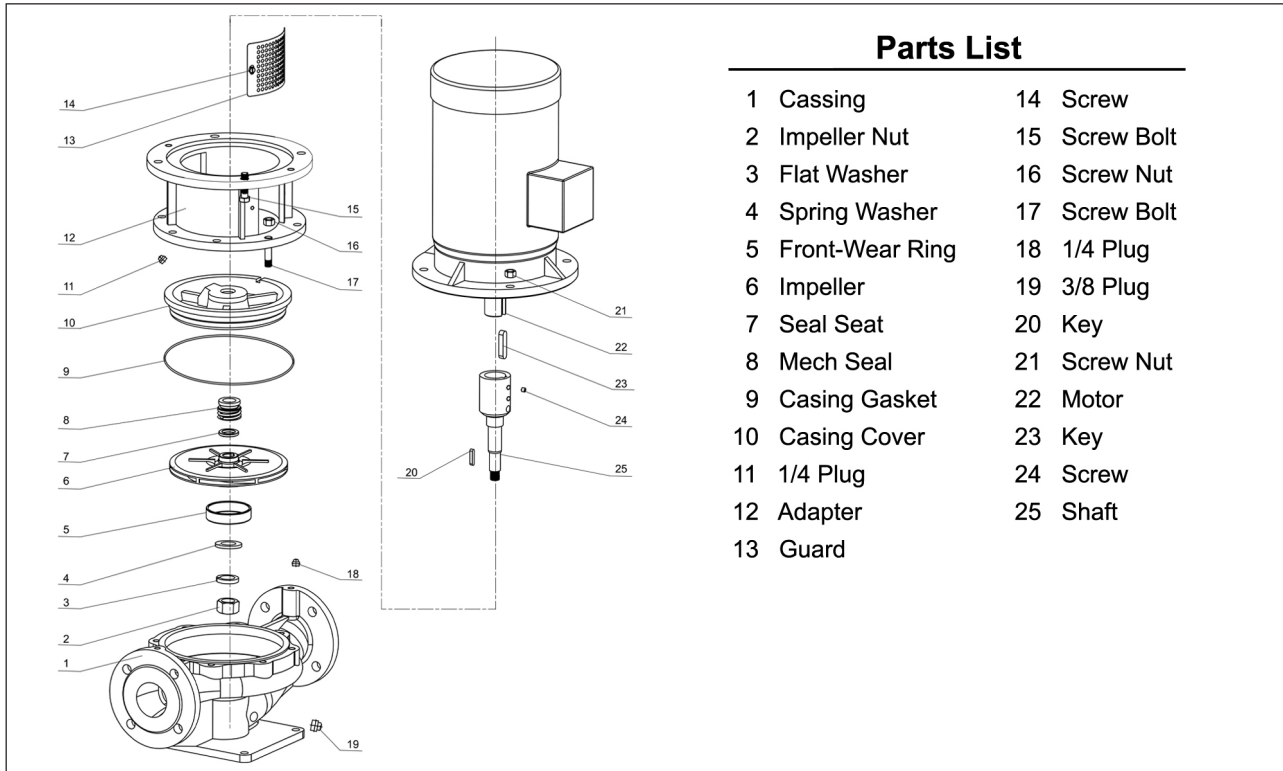
3

Receiver

From

 Company name  
 Respons. Department  
 Person in charge  
 Phone number  
 Fax no  
 E-mail address

|  |  |
|--|--|
|  |  |
|  |  |
|  |  |
|  |  |
|  |  |



Project

Project ID

Created by

Created on

Last update