



# Technical Data

## Vertical In-line Pump - EGM65-4016-01104

Revision no.

 Page:  
1

Receiver

From

 Company name  
 Respons. Department  
 Person in charge  
 Phone number  
 Fax no  
 E-mail address



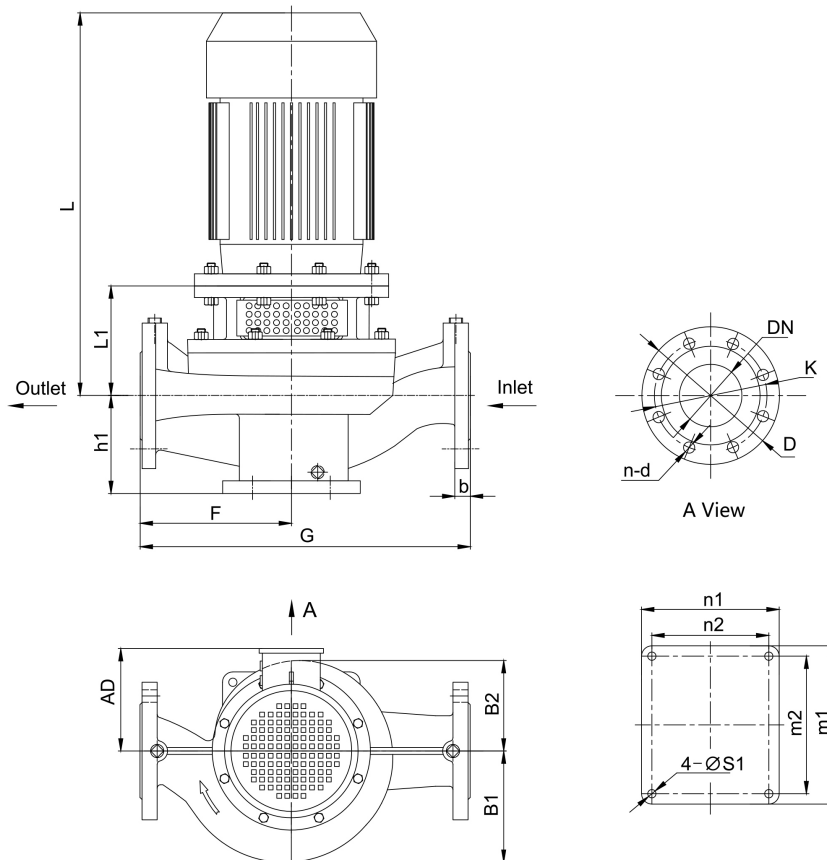


**Brand: Gol Pumps**  
**Model: EGM65-4016-01104**

Motor (V1)	
Model	HP
Y2-90S-4	1.5

Weight (lb)		
Pump	Motor	Pump & Motor
94.6	48.4	143

### Dimensions:



### Pump Installation Size (inch)

h1	L1	F	G	L	AD	B1	B2	n2 x m2	n1 x m1	S1	DN	D	K	n - d	b
5.4	6	6.9	14.6	16.6	6.1	5	4.5	6.7x7.9	7.9x9.1	0.5	2.5	6.9	5.5	4 - $\phi$ 0.8	-

Project

Project ID

Created by

Created on

Last update



# Performance Curves

## Vertical In-line Pump - EGM65-4016-01104

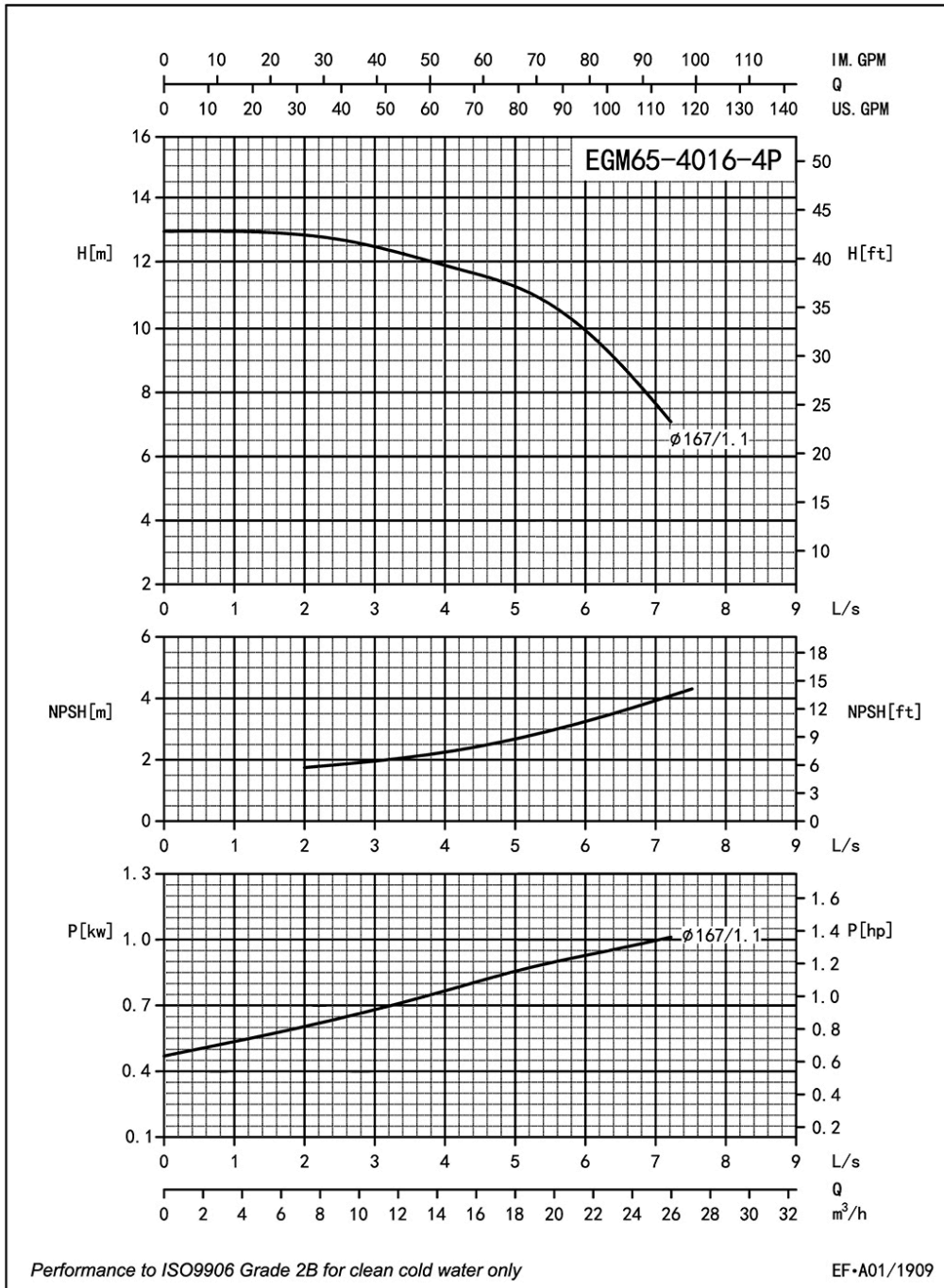
Revision no.

Page:  
 2

Receiver  From

Company name  
 Respons. Department  
 Person in charge  
 Phone number  
 Fax no  
 E-mail address

Model	Capacity			Head		Speed	Motor	Voltage	Phase	Impeller Diam.		Eff.	(NPSH)r
	m <sup>3</sup> /h	l/s	gpm	m	ft	r/min	hp	v		mm	inch	%	ft
EGM65-4016-01104	11.5	3.2	50.4	12.4	41	1710	1.5	230/460	3	167	6.6	54	6.6
	19.1	5.3	84	11	36		1.5					63	9.8
	23	6.4	100.8	9	30		1.5					57	11.5



Project	Project ID	Created by	Created on	Last update
---------	------------	------------	------------	-------------



# Parts List

## Vertical In-line Pump - EGM65-4016-01104

Revision no.

Page:

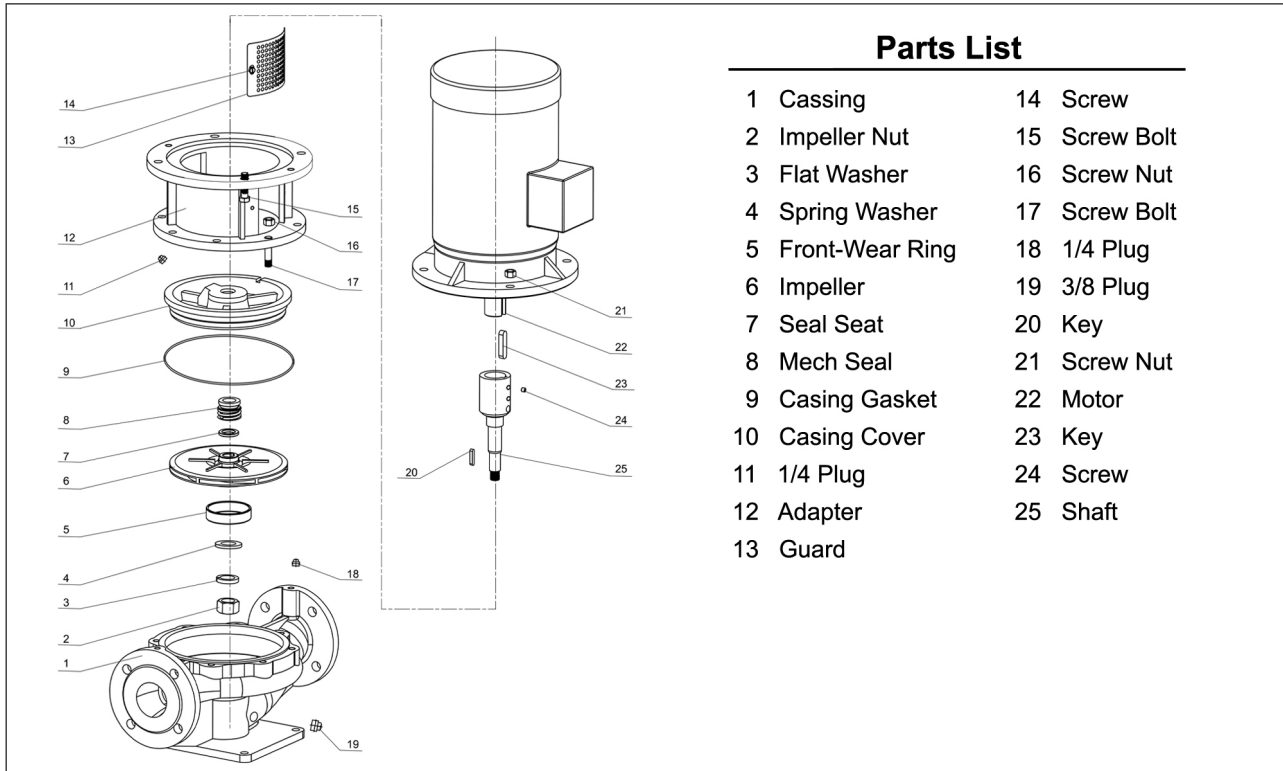
3

Receiver

From

 Company name  
 Respons. Department  
 Person in charge  
 Phone number  
 Fax no  
 E-mail address





### Parts List

1	Cassing	14	Screw
2	Impeller Nut	15	Screw Bolt
3	Flat Washer	16	Screw Nut
4	Spring Washer	17	Screw Bolt
5	Front-Wear Ring	18	1/4 Plug
6	Impeller	19	3/8 Plug
7	Seal Seat	20	Key
8	Mech Seal	21	Screw Nut
9	Casing Gasket	22	Motor
10	Casing Cover	23	Key
11	1/4 Plug	24	Screw
12	Adapter	25	Shaft
13	Guard		

Project

Project ID

Created by

Created on

Last update