



# Technical Data

## Vertical In-line Pump - EGM65-4016-01504

Revision no.

Page:

1

Receiver

From

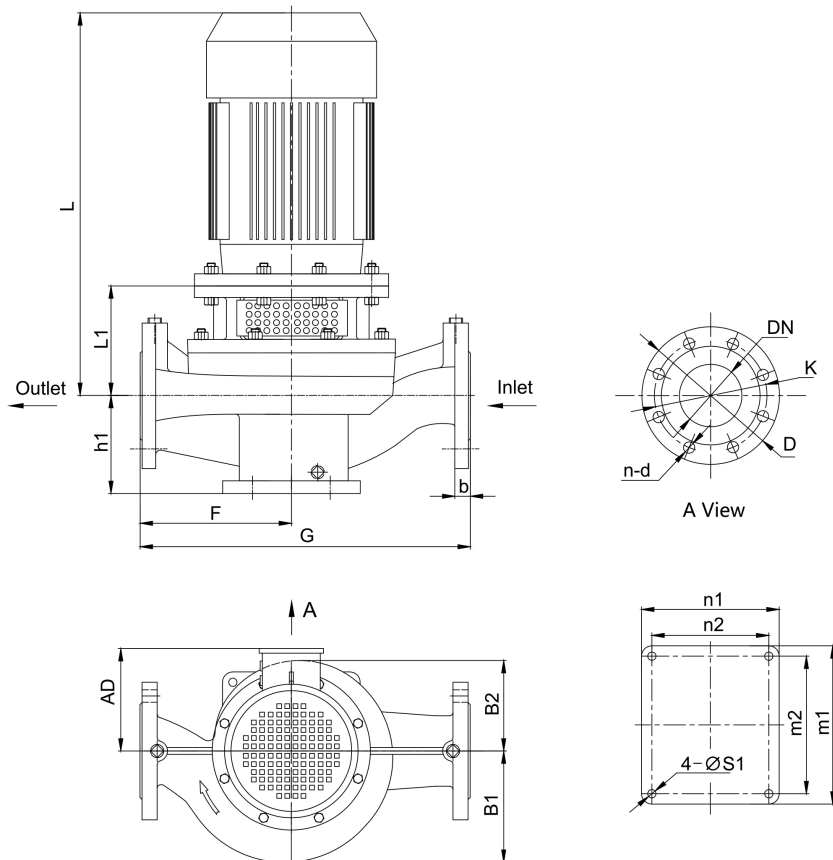
 Company name  
 Respons. Department  
 Person in charge  
 Phone number  
 Fax no  
 E-mail address


**Brand: Gol Pumps**  
**Model: EGM65-4016-01504**

Motor (V1)	
Model	HP
Y2-90L-4	2

Weight (lb)		
Pump	Motor	Pump & Motor
94.6	59.4	151.8

### Dimensions:



### Pump Installation Size (inch)

h1	L1	F	G	L	AD	B1	B2	n2 x m2	n1 x m1	S1	DN	D	K	n - d	b
5.4	6	6.9	14.6	17.6	6.1	5	4.5	6.7x7.9	7.9x9.1	0.5	2.5	6.9	5.5	4 - $\phi$ 0.8	-

Project

Project ID

Created by

Created on

Last update



# Performance Curves

## Vertical In-line Pump - EGM65-4016-01504

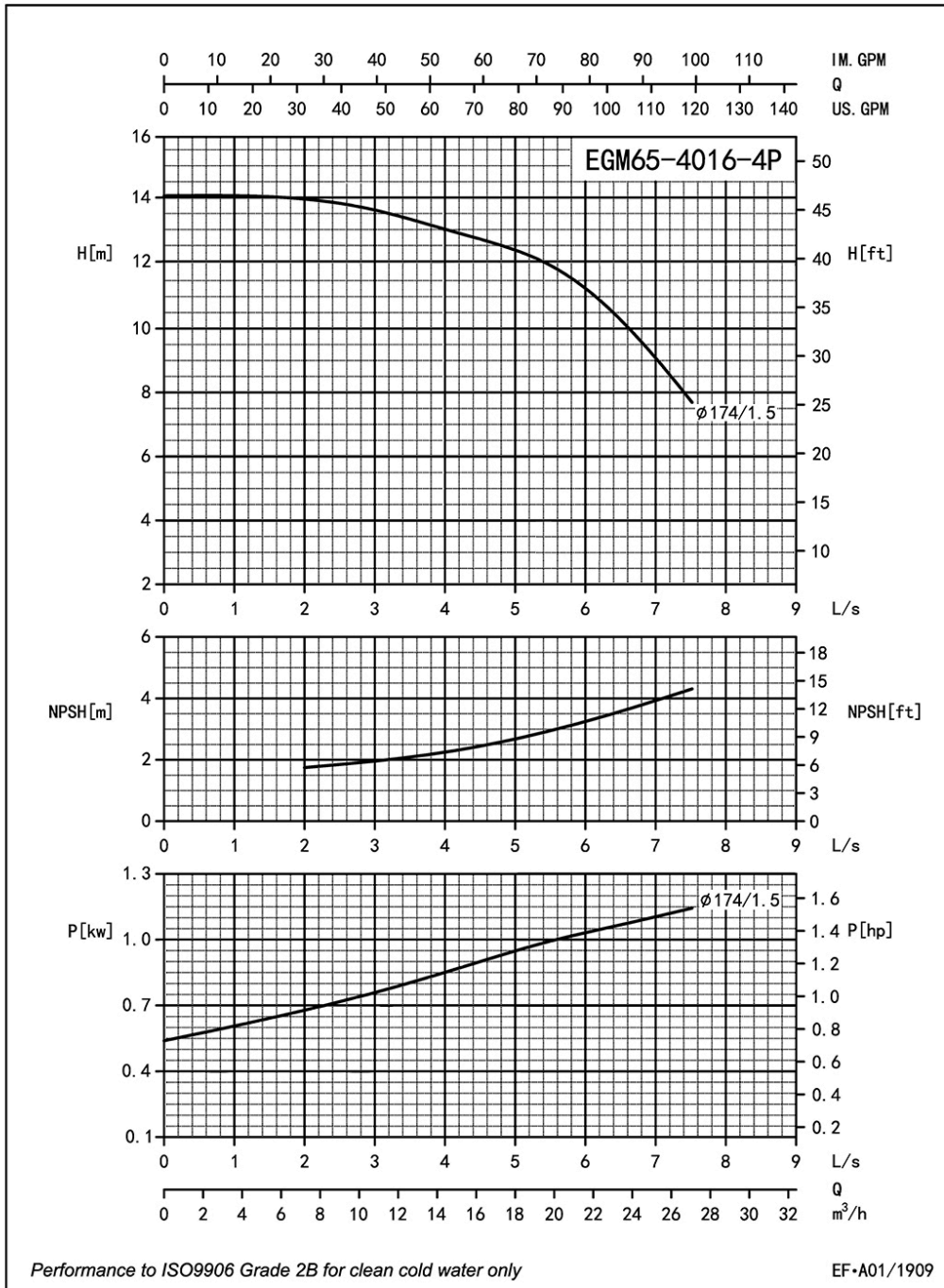
Revision no. \_\_\_\_\_  
 \_\_\_\_\_

Page:  
 2

Receiver	From

Company name  
 Respons. Department  
 Person in charge  
 Phone number  
 Fax no  
 E-mail address

Model	Capacity			Head		Speed	Motor	Voltage	Phase	Impeller Diam.		Eff.	(NPSH)r
	m <sup>3</sup> /h	l/s	gpm	m	ft	r/min	hp	v		mm	inch	%	ft
EGM65-4016-01504	11.5	3.2	51.4	13.5	44	1710	2	230/460	3	174	6.9	54	6.6
	19.4	5.4	85.6	12	39		2					65	9.8
	23.4	6.5	102.7	10.2	33		2					60	11.5



Project	Project ID	Created by	Created on	Last update
---------	------------	------------	------------	-------------



# Parts List

## Vertical In-line Pump - EGM65-4016-01504

Revision no.

Page:

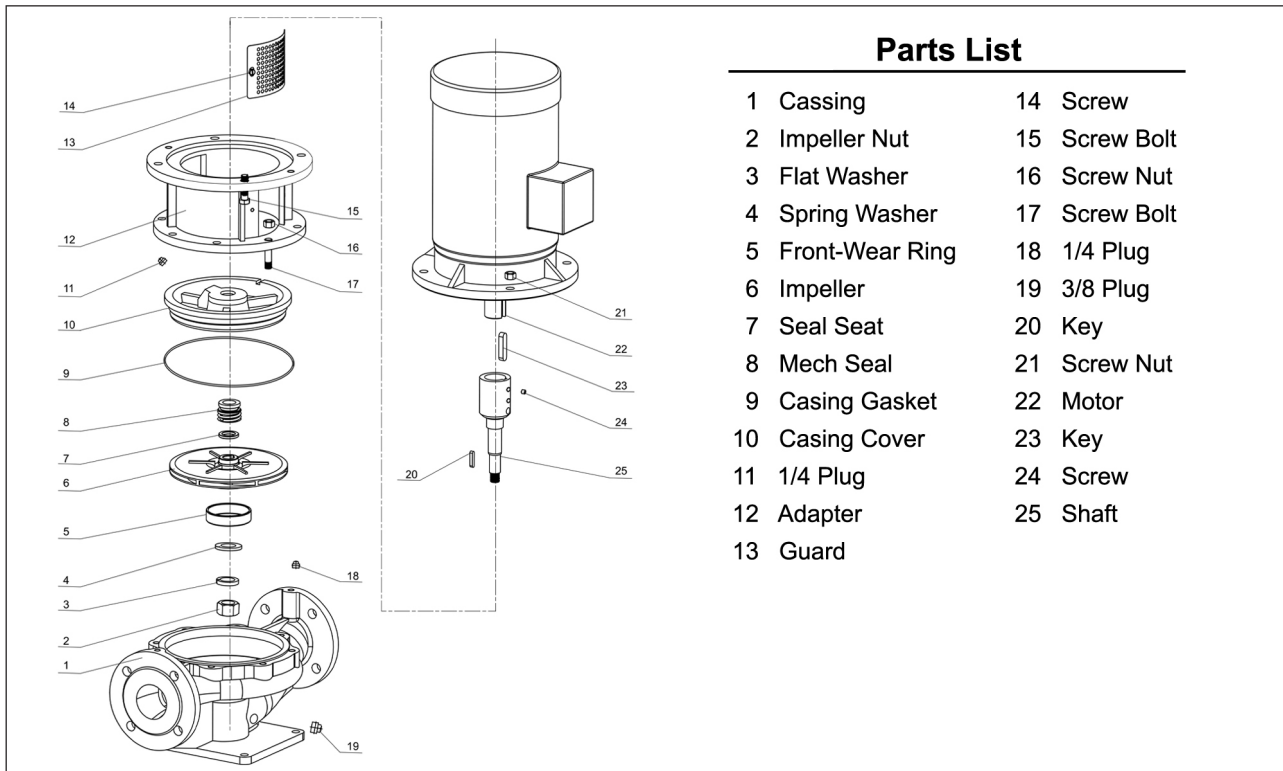
3

Receiver

From

 Company name  
 Respons. Department  
 Person in charge  
 Phone number  
 Fax no  
 E-mail address





Project

Project ID

Created by

Created on

Last update