



# Technical Data

## Vertical In-line Pump - EGM65-4032-07504

Revision no.

Page:  
 1

	Receiver	From
Company name		
Respons. Department		
Person in charge		
Phone number		
Fax no		
E-mail address		

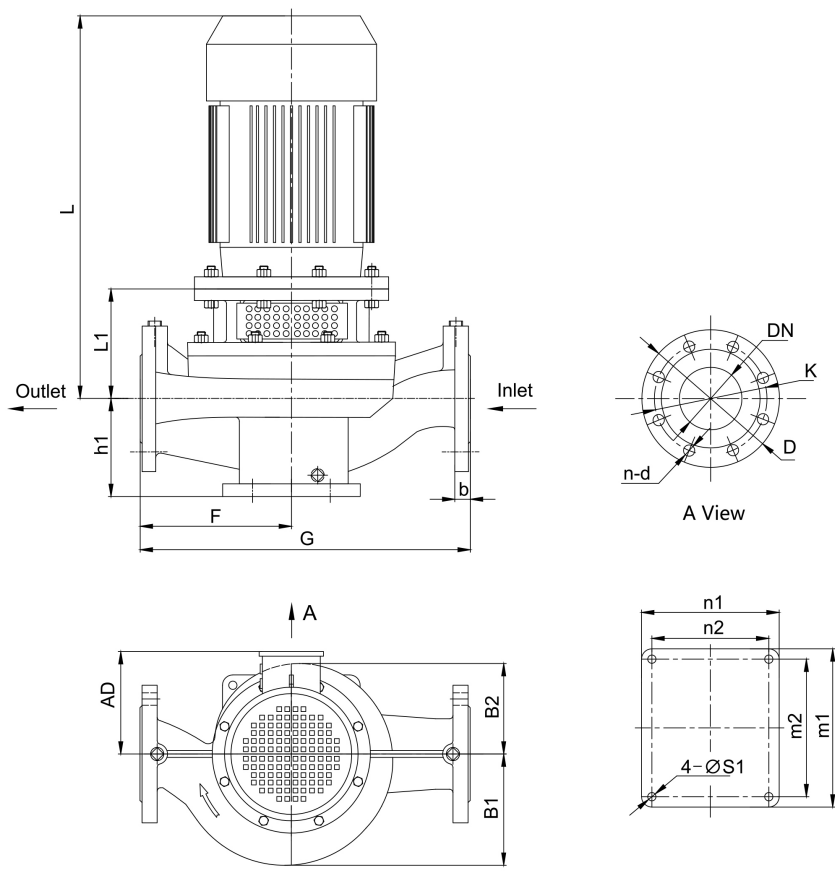


**Brand: Gol Pumps**  
**Model: EGM65-4032-07504**

Motor (V1)	
Model	HP
Y2-132M-4	10

Weight (lb)		
Pump	Motor	Pump & Motor
209	173.8	380.6

**Dimensions:**



Pump Installation Size (inch)															
h1	L1	F	G	L	AD	B1	B2	n2 x m2	n1 x m1	S1	DN	D	K	n - d	b
5.4	7.9	11.4	22.8	24.8	8.3	7.9	7.9	6.7x7.9	7.9x9.1	0.6	2.5	6.9	5.5	4 - $\phi$ 0.8	-

Project	Project ID	Created by	Created on	Last update
---------	------------	------------	------------	-------------



# Performance Curves

## Vertical In-line Pump - EGM65-4032-07504

Revision no.

Page:

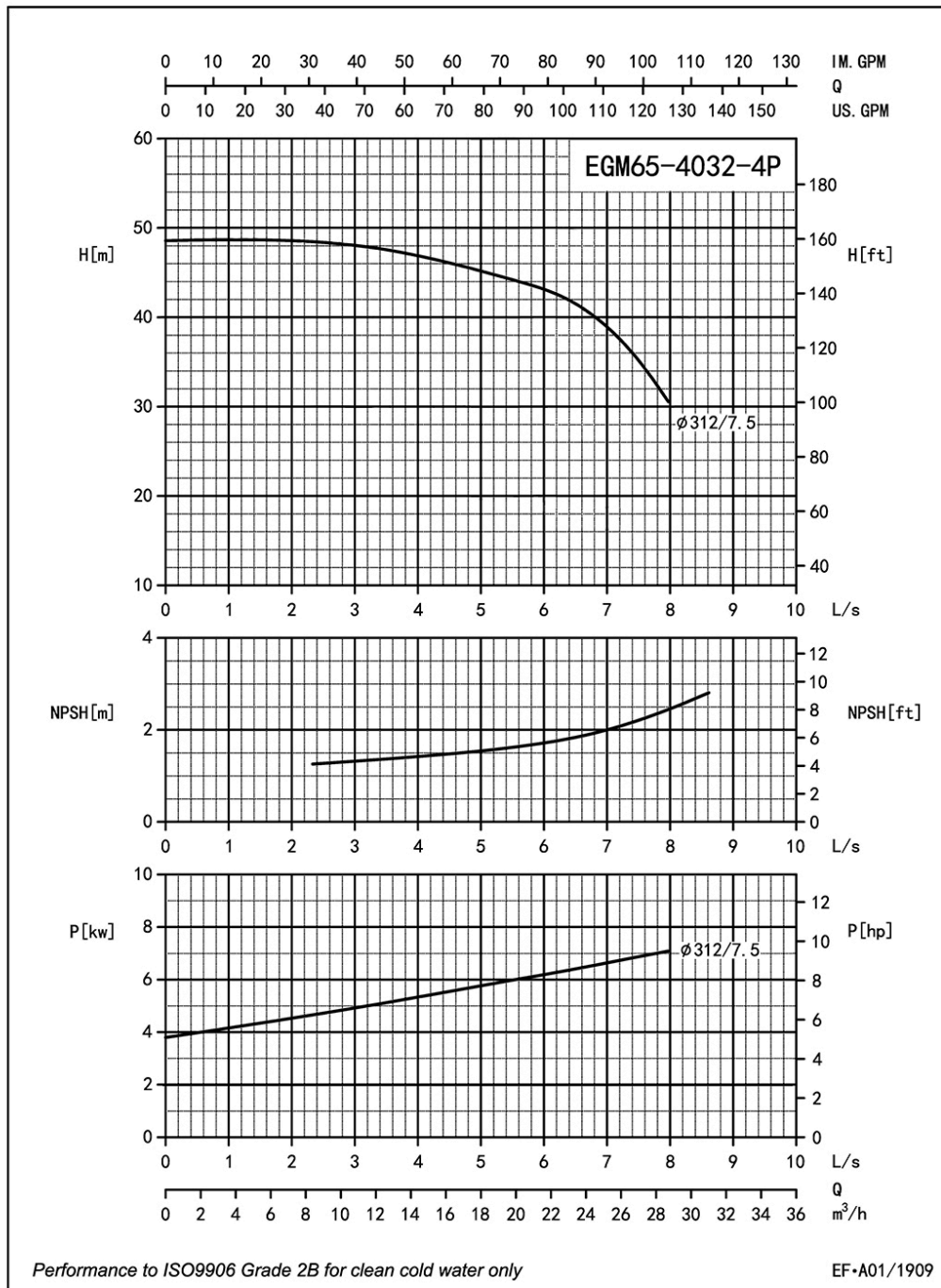
2

Receiver

From

 Company name  
 Respons. Department  
 Person in charge  
 Phone number  
 Fax no  
 E-mail address

Model	Capacity			Head		Speed	Motor	Voltage	Phase	Impeller Diam.		Eff.	(NPSH)r
	m <sup>3</sup> /h	l/s	gpm	m	ft	r/min	hp	v		mm	inch	%	ft
EGM65-4032-07504	13	3.6	57.1	47.3	155	1710	10	230/460	3	312	12.3	33	4.6
	21.6	6	95.1	43.2	142		10					41	5.9
	25.9	7.2	114.1	38	125		10					39	7.9



Project

Project ID

Created by

Created on

Last update



# Parts List

## Vertical In-line Pump - EGM65-4032-07504

Revision no.

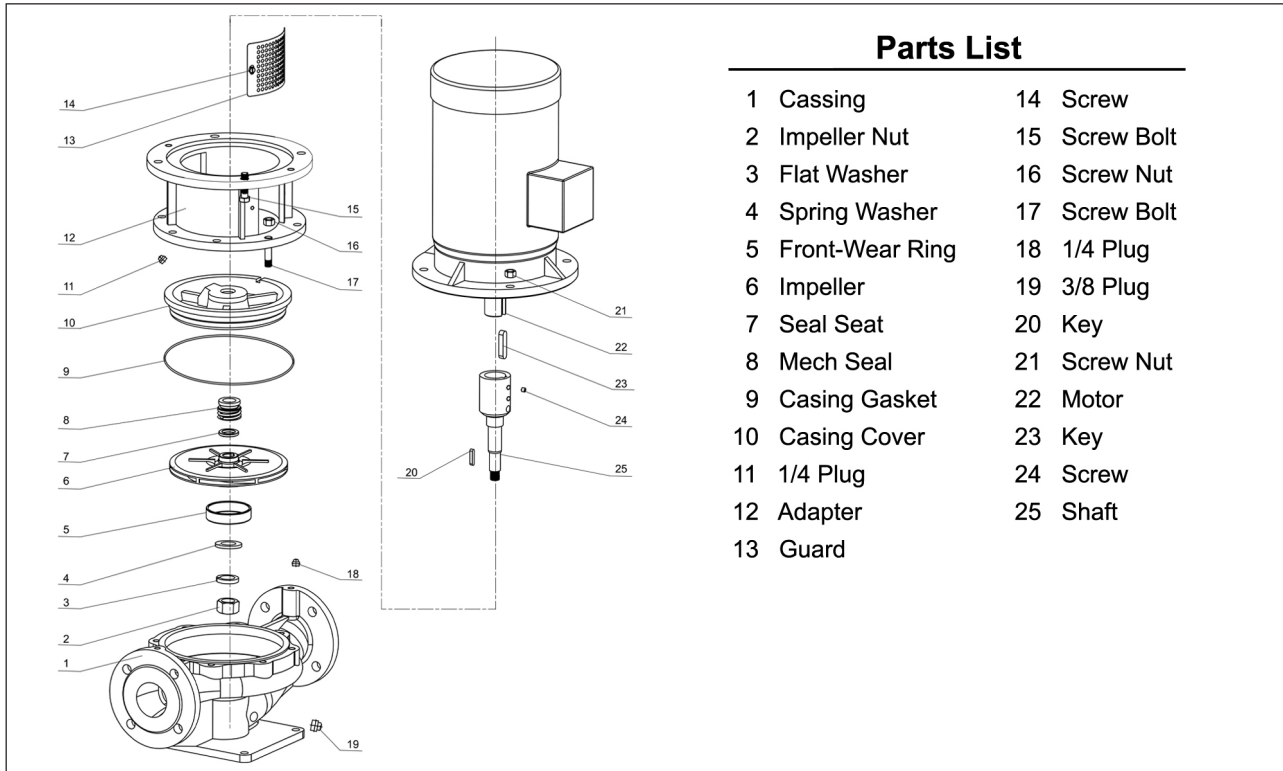
Page:

3

Receiver

From

 Company name  
 Respons. Department  
 Person in charge  
 Phone number  
 Fax no  
 E-mail address

Project

Project ID

Created by

Created on

Last update