



# Technical Data

## Vertical In-line Pump - EGM65-4032-11004

Revision no.

Page:  
 1

|                     | Receiver | From |
|---------------------|----------|------|
| Company name        |          |      |
| Respons. Department |          |      |
| Person in charge    |          |      |
| Phone number        |          |      |
| Fax no              |          |      |
| E-mail address      |          |      |

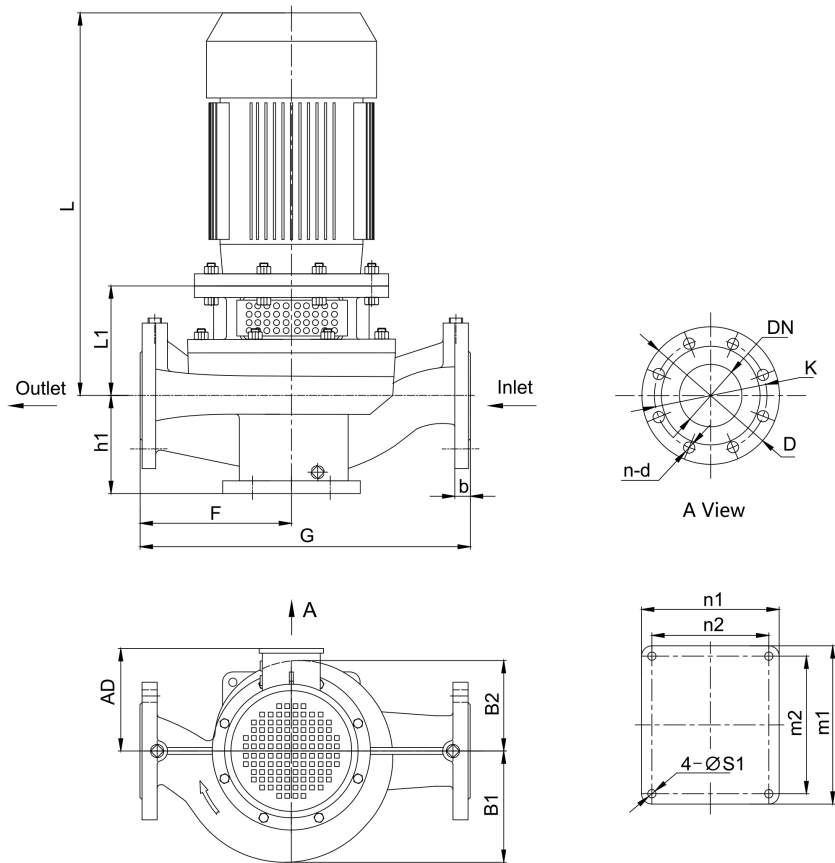


**Brand: Gol Pumps**  
**Model: EGM65-4032-11004**

| Motor (V1) |    |
|------------|----|
| Model      | HP |
| Y2-160M-4  | 15 |

| Weight (lb) |       |              |
|-------------|-------|--------------|
| Pump        | Motor | Pump & Motor |
| 217.8       | 237.6 | 455.4        |

**Dimensions:**



| Pump Installation Size (inch) |     |      |      |      |    |     |     |         |         |     |     |     |     |          |   |
|-------------------------------|-----|------|------|------|----|-----|-----|---------|---------|-----|-----|-----|-----|----------|---|
| h1                            | L1  | F    | G    | L    | AD | B1  | B2  | n2 x m2 | n1 x m1 | S1  | DN  | D   | K   | n - d    | b |
| 5.4                           | 9.1 | 11.4 | 22.8 | 29.3 | 10 | 7.9 | 7.9 | 6.7x7.9 | 7.9x9.1 | 0.6 | 2.5 | 6.9 | 5.5 | 4 - φ0.8 | - |

|         |            |            |            |             |
|---------|------------|------------|------------|-------------|
| Project | Project ID | Created by | Created on | Last update |
|---------|------------|------------|------------|-------------|



# Performance Curves

## Vertical In-line Pump - EGM65-4032-11004

Revision no.

Page:  
 2

Receiver

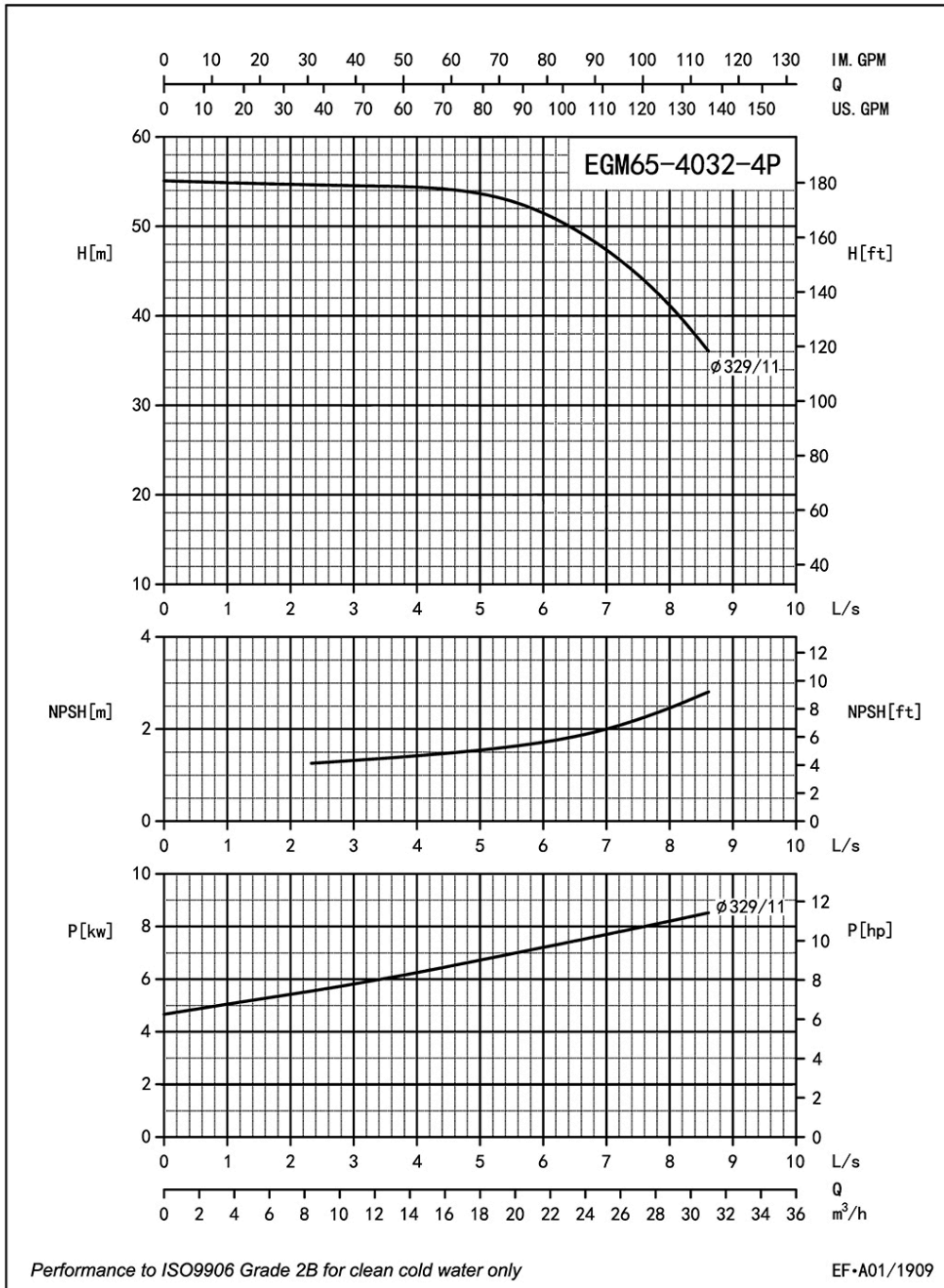
From

Company name  
 Respons. Department  
 Person in charge  
 Phone number  
 Fax no  
 E-mail address

|  |
|--|
|  |
|  |
|  |
|  |
|  |

|  |
|--|
|  |
|  |
|  |
|  |
|  |

| Model            | Capacity          |     |       | Head |     | Speed<br>r/min | Motor<br>hp | Voltage<br>v | Phase | Impeller Diam. |      | Eff.<br>% | (NPSH)r<br>ft |
|------------------|-------------------|-----|-------|------|-----|----------------|-------------|--------------|-------|----------------|------|-----------|---------------|
|                  | m <sup>3</sup> /h | l/s | gpm   | m    | ft  |                |             |              |       | mm             | inch |           |               |
| EGM65-4032-11004 | 14.4              | 4   | 62.8  | 54.2 | 178 | 1710           | 15          | 230/460      | 3     | 329            | 13   | 34        | 4.6           |
|                  | 23.8              | 6.6 | 104.6 | 49.3 | 162 |                | 15          |              |       |                |      | 42        | 5.9           |
|                  | 28.4              | 7.9 | 125.5 | 41.5 | 136 |                | 15          |              |       |                |      | 38        | 7.9           |



|         |            |            |            |             |
|---------|------------|------------|------------|-------------|
| Project | Project ID | Created by | Created on | Last update |
|---------|------------|------------|------------|-------------|



# Parts List

## Vertical In-line Pump - EGM65-4032-11004

Revision no.

Page:  
 3

|                     | Receiver | From |
|---------------------|----------|------|
| Company name        |          |      |
| Respons. Department |          |      |
| Person in charge    |          |      |
| Phone number        |          |      |
| Fax no              |          |      |
| E-mail address      |          |      |

### Parts List

|                   |               |
|-------------------|---------------|
| 1 Casing          | 14 Screw      |
| 2 Impeller Nut    | 15 Screw Bolt |
| 3 Flat Washer     | 16 Screw Nut  |
| 4 Spring Washer   | 17 Screw Bolt |
| 5 Front-Wear Ring | 18 1/4 Plug   |
| 6 Impeller        | 19 3/8 Plug   |
| 7 Seal Seat       | 20 Key        |
| 8 Mech Seal       | 21 Screw Nut  |
| 9 Casing Gasket   | 22 Motor      |
| 10 Casing Cover   | 23 Key        |
| 11 1/4 Plug       | 24 Screw      |
| 12 Adapter        | 25 Shaft      |
| 13 Guard          |               |

| Project | Project ID | Created by | Created on | Last update |
|---------|------------|------------|------------|-------------|
|         |            |            |            |             |