



Technical Data

Vertical In-line Pump - EGM65-5016-01104

Revision no.

Page:

1

Receiver

From

 Company name
 Respons. Department
 Person in charge
 Phone number
 Fax no
 E-mail address

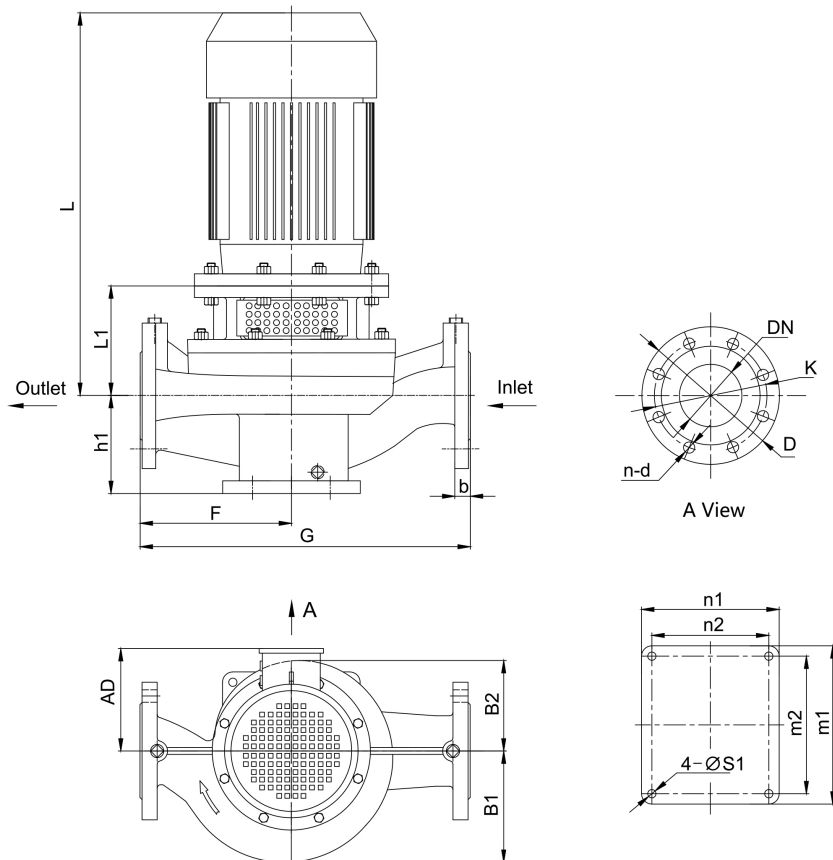


Brand: Gol Pumps
Model: EGM65-5016-01104

Motor (V1)	
Model	HP
Y2-90S-4	1.5

Weight (lb)		
Pump	Motor	Pump & Motor
99	48.4	147.4

Dimensions:



Pump Installation Size (inch)

h1	L1	F	G	L	AD	B1	B2	n2 x m2	n1 x m1	S1	DN	D	K	n - d	b
5.4	6	8.7	17.3	16.6	6.1	5.5	4.7	6.7x7.9	7.9x9.1	0.5	2.5	6.9	5.5	4 - ϕ 0.8	-

Project

Project ID

Created by

Created on

Last update



Performance Curves

Vertical In-line Pump - EGM65-5016-01104

Revision no.

Page:

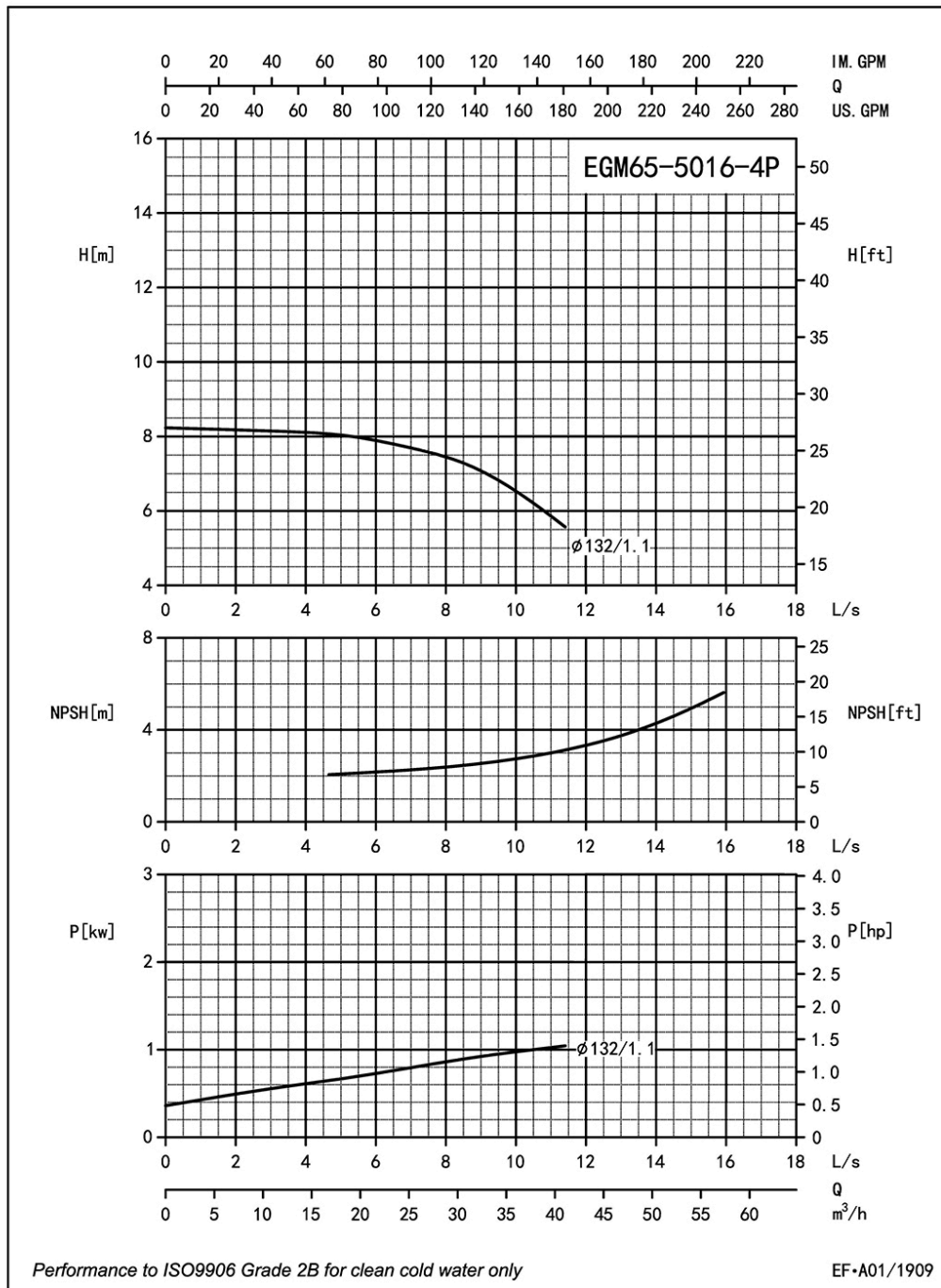
2

Receiver

From

 Company name
 Respons. Department
 Person in charge
 Phone number
 Fax no
 E-mail address

Model	Capacity			Head		Speed	Motor	Voltage	Phase	Impeller Diam.		Eff.	(NPSH)r
	m ³ /h	l/s	gpm	m	ft	r/min	hp	v		mm	inch	%	ft
EGM65-5016-01104	19.4	5.4	85.6	8	26	1710	1.5	230/460	3	132	5.2	59	7.5
	32.4	9	142.7	7	23		1.5					68	10.8
	38.9	10.8	171.2	6	20		1.5					63	14.8



Project

Project ID

Created by

Created on

Last update



Parts List

Vertical In-line Pump - EGM65-5016-01104

Revision no.

Page:
 3

Receiver

From

Company name
 Respons. Department
 Person in charge
 Phone number
 Fax no
 E-mail address

Parts List

1 Cassing	14 Screw
2 Impeller Nut	15 Screw Bolt
3 Flat Washer	16 Screw Nut
4 Spring Washer	17 Screw Bolt
5 Front-Wear Ring	18 1/4 Plug
6 Impeller	19 3/8 Plug
7 Seal Seat	20 Key
8 Mech Seal	21 Screw Nut
9 Casing Gasket	22 Motor
10 Casing Cover	23 Key
11 1/4 Plug	24 Screw
12 Adapter	25 Shaft
13 Guard	

Project	Project ID	Created by	Created on	Last update
---------	------------	------------	------------	-------------