



# Technical Data

## Vertical In-line Pump - EGM65-5026-04004

Revision no.

 Page:  
1

Receiver

From

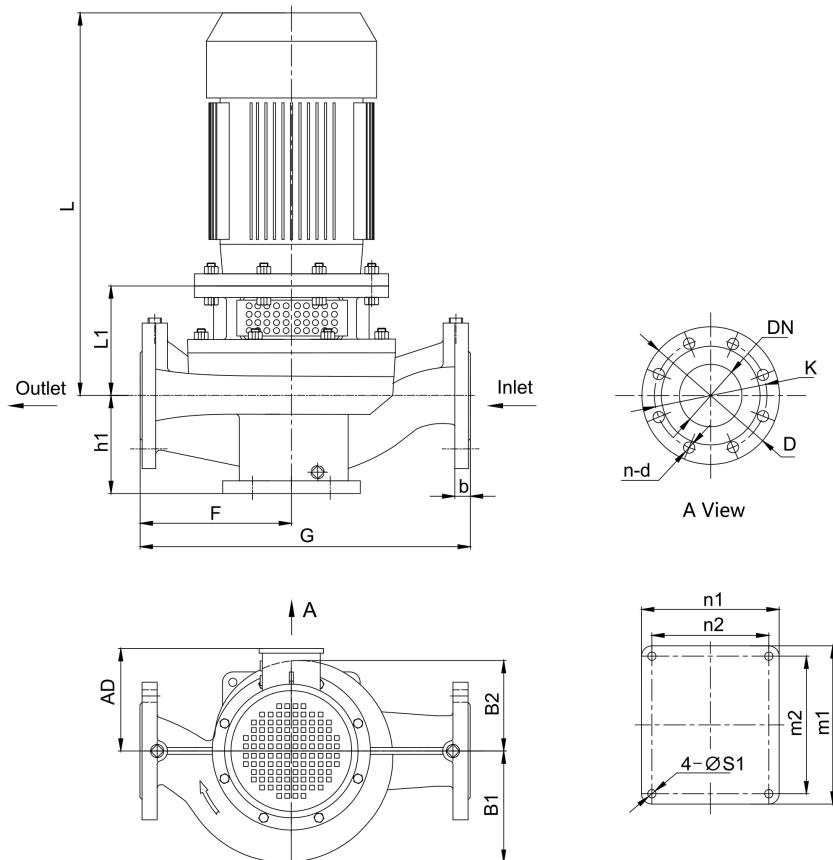
 Company name  
 Respons. Department  
 Person in charge  
 Phone number  
 Fax no  
 E-mail address


**Brand: Gol Pumps**  
**Model: EGM65-5026-04004**

Motor (V1)	
Model	HP
Y2-112M-4	5.5

Weight (lb)		
Pump	Motor	Pump & Motor
149.6	103.4	253

### Dimensions:



### Pump Installation Size (inch)

h1	L1	F	G	L	AD	B1	B2	n2 x m2	n1 x m1	S1	DN	D	K	n - d	b
5.4	6.9	10.2	20.5	20.2	7.5	7	6.5	6.7x7.9	7.9x9.1	0.6	2.5	6.9	5.5	4 - $\phi$ 0.8	-

Project

Project ID

Created by

Created on

Last update



# Performance Curves

## Vertical In-line Pump - EGM65-5026-04004

Revision no.

Page:

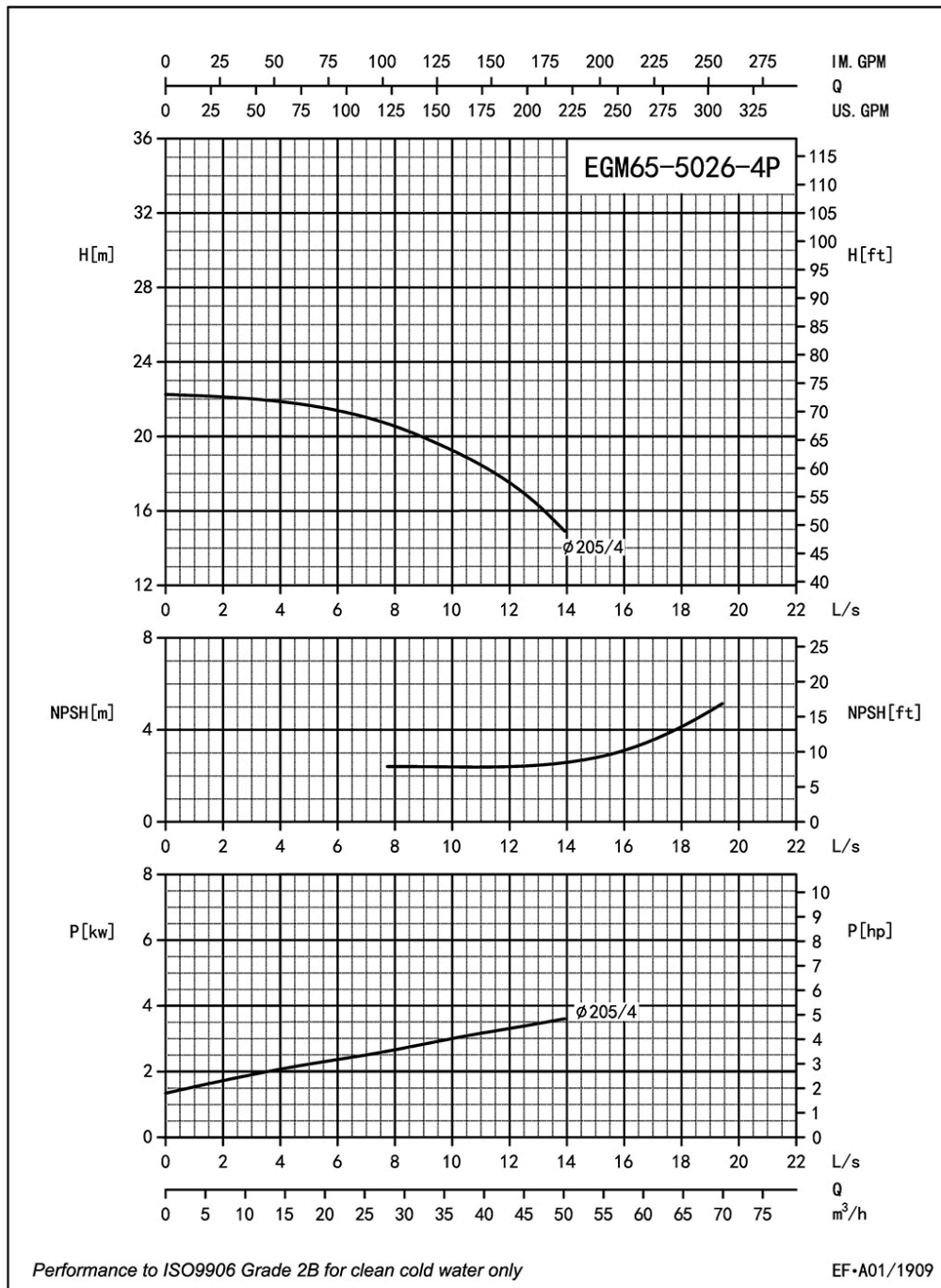
2

Receiver

From

 Company name  
 Respons. Department  
 Person in charge  
 Phone number  
 Fax no  
 E-mail address

Model	Capacity			Head		Speed	Motor	Voltage	Phase	Impeller Diam.		Eff.	(NPSH)r
	m <sup>3</sup> /h	l/s	gpm	m	ft	r/min	hp	v		mm	inch	%	ft
EGM65-5026-04004	23.8	6.6	104.6	21	69	1710	5.5	230/460	3	205	8.1	56	7.5
	39.6	11	174.4	18.5	61		5.5					62	8.2
	47.5	13.2	209.2	16	52		5.5					58	9.8



Project

Project ID

Created by

Created on

Last update



# Parts List

## Vertical In-line Pump - EGM65-5026-04004

Revision no.

Page:

3

Receiver

From

Company name  
 Respons. Department  
 Person in charge  
 Phone number  
 Fax no  
 E-mail address



### Parts List

1 Cassing	14 Screw
2 Impeller Nut	15 Screw Bolt
3 Flat Washer	16 Screw Nut
4 Spring Washer	17 Screw Bolt
5 Front-Wear Ring	18 1/4 Plug
6 Impeller	19 3/8 Plug
7 Seal Seat	20 Key
8 Mech Seal	21 Screw Nut
9 Casing Gasket	22 Motor
10 Casing Cover	23 Key
11 1/4 Plug	24 Screw
12 Adapter	25 Shaft
13 Guard	

Project

Project ID

Created by

Created on

Last update