



Technical Data

Vertical In-line Pump - EGM65-5026-07504

Revision no.

Page:
 1

Company name
 Respons. Department
 Person in charge
 Phone number
 Fax no
 E-mail address

Receiver

From

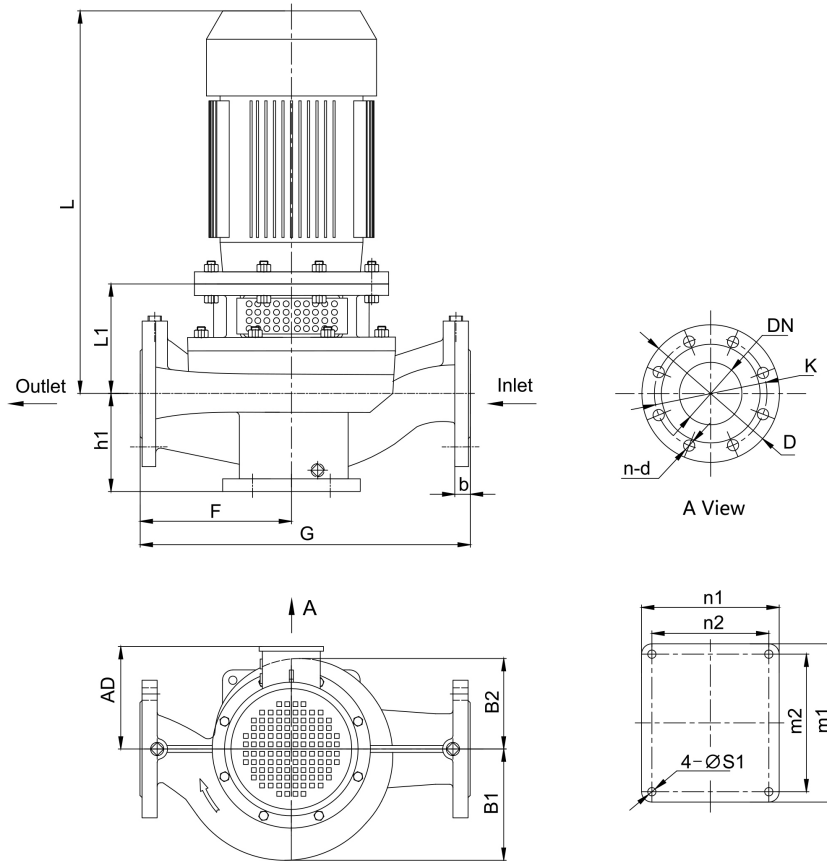


Brand: Gol Pumps
Model: EGM65-5026-07504

Motor (V1)	
Model	HP
Y2-132M-4	10

Weight (lb)		
Pump	Motor	Pump & Motor
156.2	173.8	330

Dimensions:



Pump Installation Size (inch)															
h1	L1	F	G	L	AD	B1	B2	n2 x m2	n1 x m1	S1	DN	D	K	n - d	b
5.4	7.6	10.2	20.5	24.7	8.3	7	6.5	6.7x7.9	7.9x9.1	0.6	2.5	6.9	5.5	4 - φ0.8	-

Project	Project ID	Created by	Created on	Last update
---------	------------	------------	------------	-------------



Performance Curves

Vertical In-line Pump - EGM65-5026-07504

Revision no.

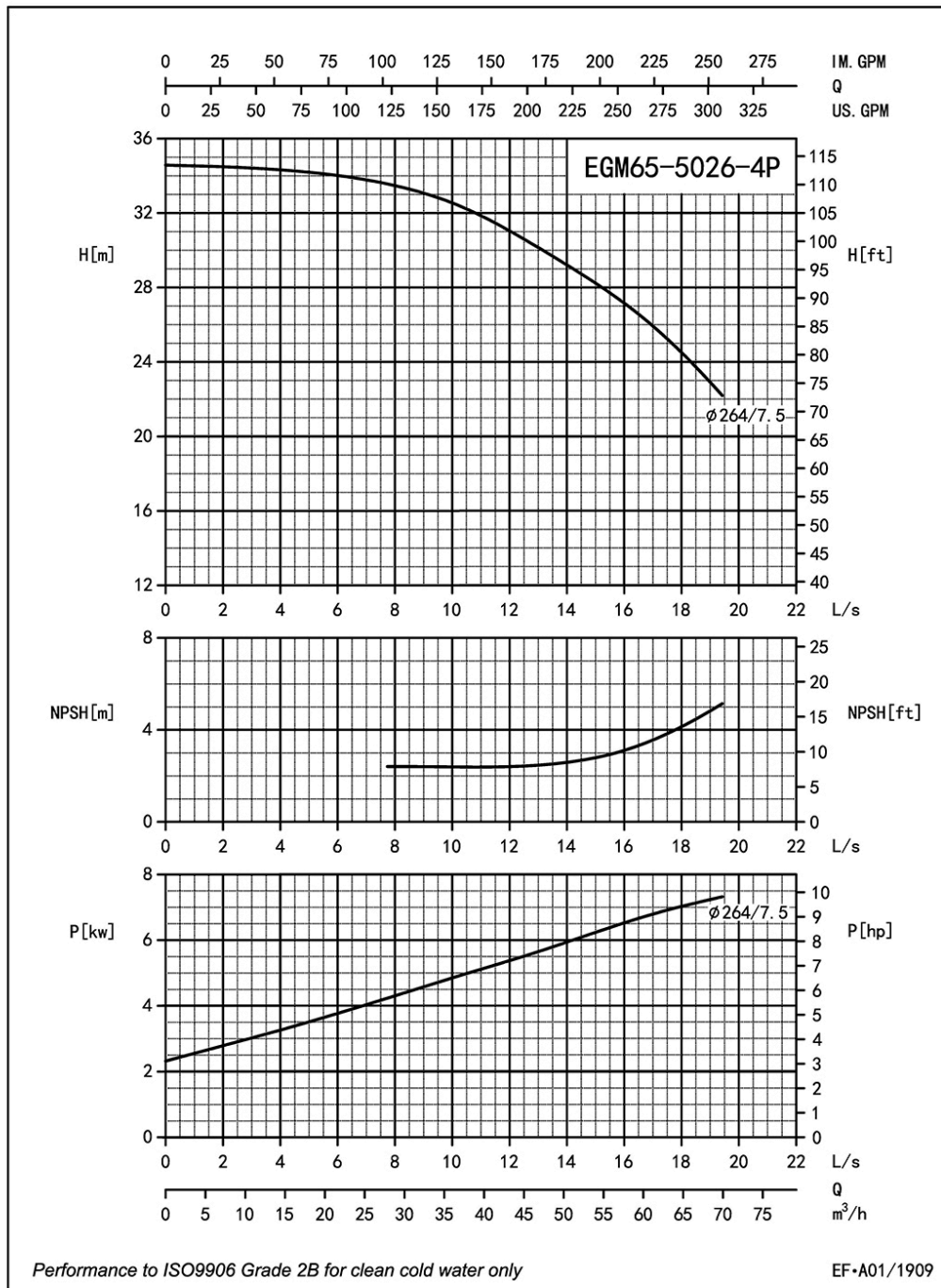
 Page:
2

Receiver

From

 Company name
 Respons. Department
 Person in charge
 Phone number
 Fax no
 E-mail address

Model	Capacity			Head		Speed	Motor	Voltage	Phase	Impeller Diam.		Eff.	(NPSH)r
	m ³ /h	l/s	gpm	m	ft	r/min	hp	v		mm	inch	%	ft
EGM65-5026-07504	28.1	7.8	123.6	33.5	110	1710	10	230/460	3	264	10.4	62	7.5
	46.8	13	206.1	30	98		10					68	8.2
	56.2	15.6	247.3	27.5	90		10					65	9.8



Project

Project ID

Created by

Created on

Last update



Parts List

Vertical In-line Pump - EGM65-5026-07504

Revision no.

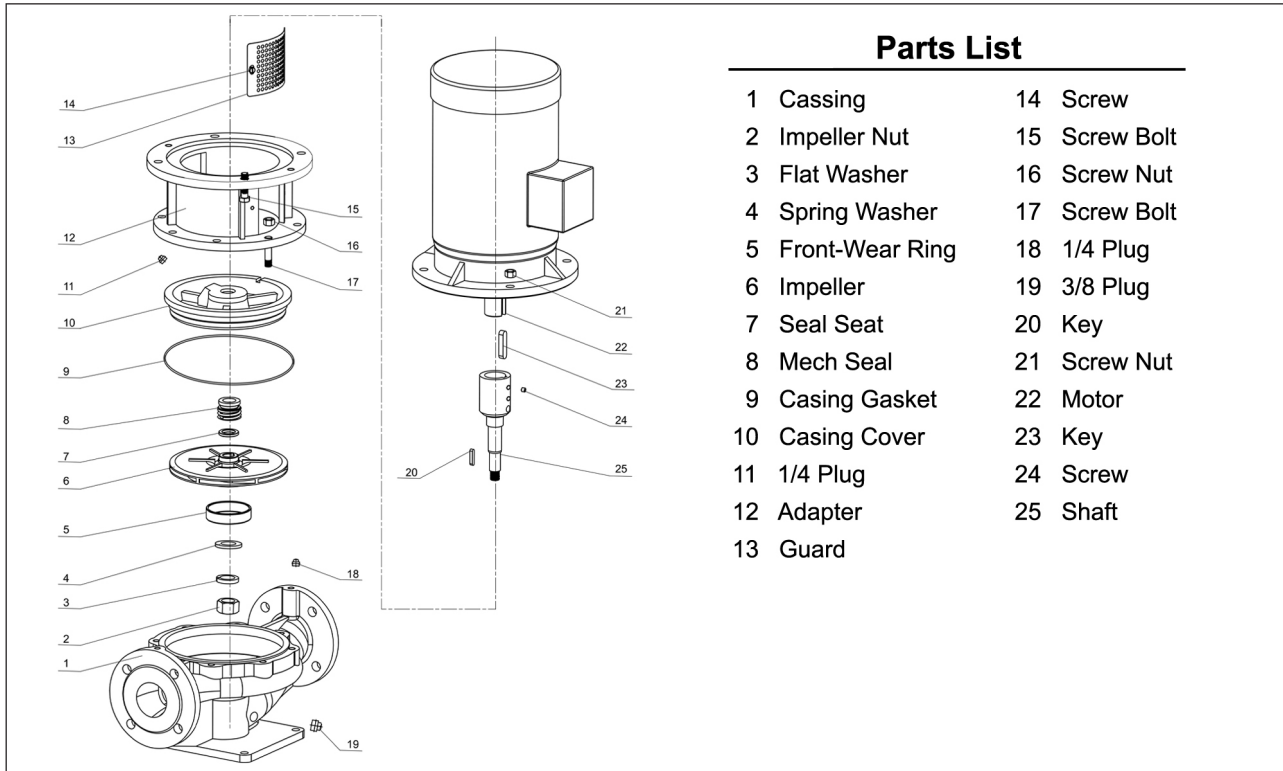
Page:

3

Receiver

From

 Company name
 Respons. Department
 Person in charge
 Phone number
 Fax no
 E-mail address



Project

Project ID

Created by

Created on

Last update