



# Technical Data

## Vertical In-line Pump - EGM80-6516-02204

Revision no.

 Page:  
1

Receiver

From

 Company name  
 Respons. Department  
 Person in charge  
 Phone number  
 Fax no  
 E-mail address



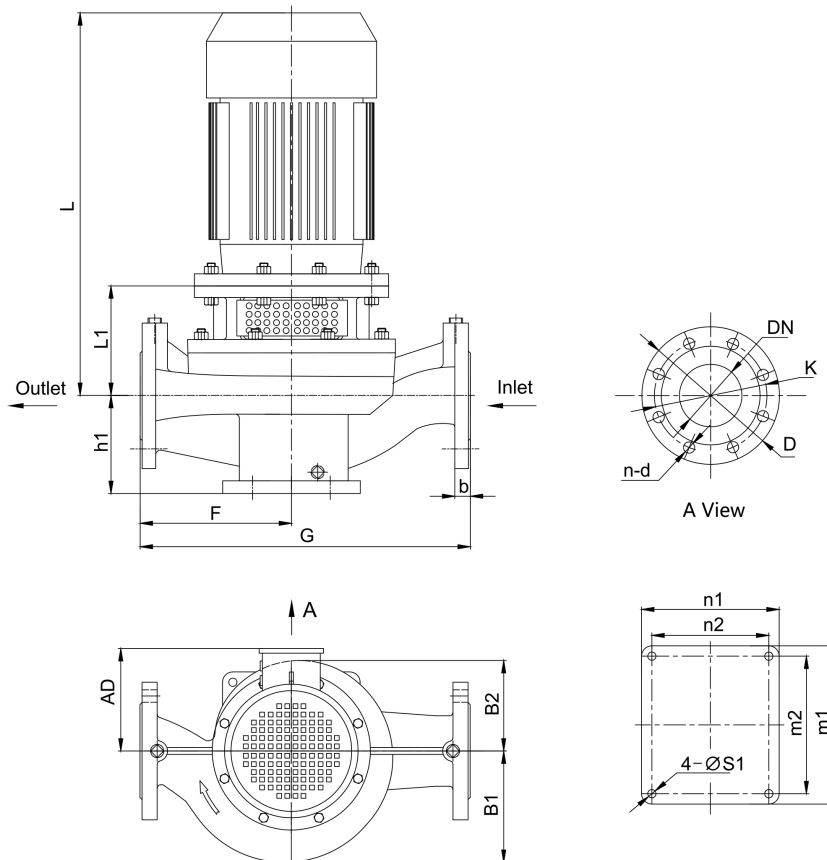


**Brand: Gol Pumps**  
**Model: EGM80-6516-02204**

Motor (V1)	
Model	HP
Y2-100L1-4	3

Weight (lb)		
Pump	Motor	Pump & Motor
121	74.8	193.6

### Dimensions:



### Pump Installation Size (inch)

h1	L1	F	G	L	AD	B1	B2	n2 x m2	n1 x m1	S1	DN	D	K	n - d	b
6.2	6.5	8.7	18.9	19.3	7.1	6.4	5.2	6.7x7.9	7.9x9.1	0.5	3	7.4	6	4 - $\phi$ 0.8	-

Project

Project ID

Created by

Created on

Last update



# Performance Curves

## Vertical In-line Pump - EGM80-6516-02204

Revision no.

Page:

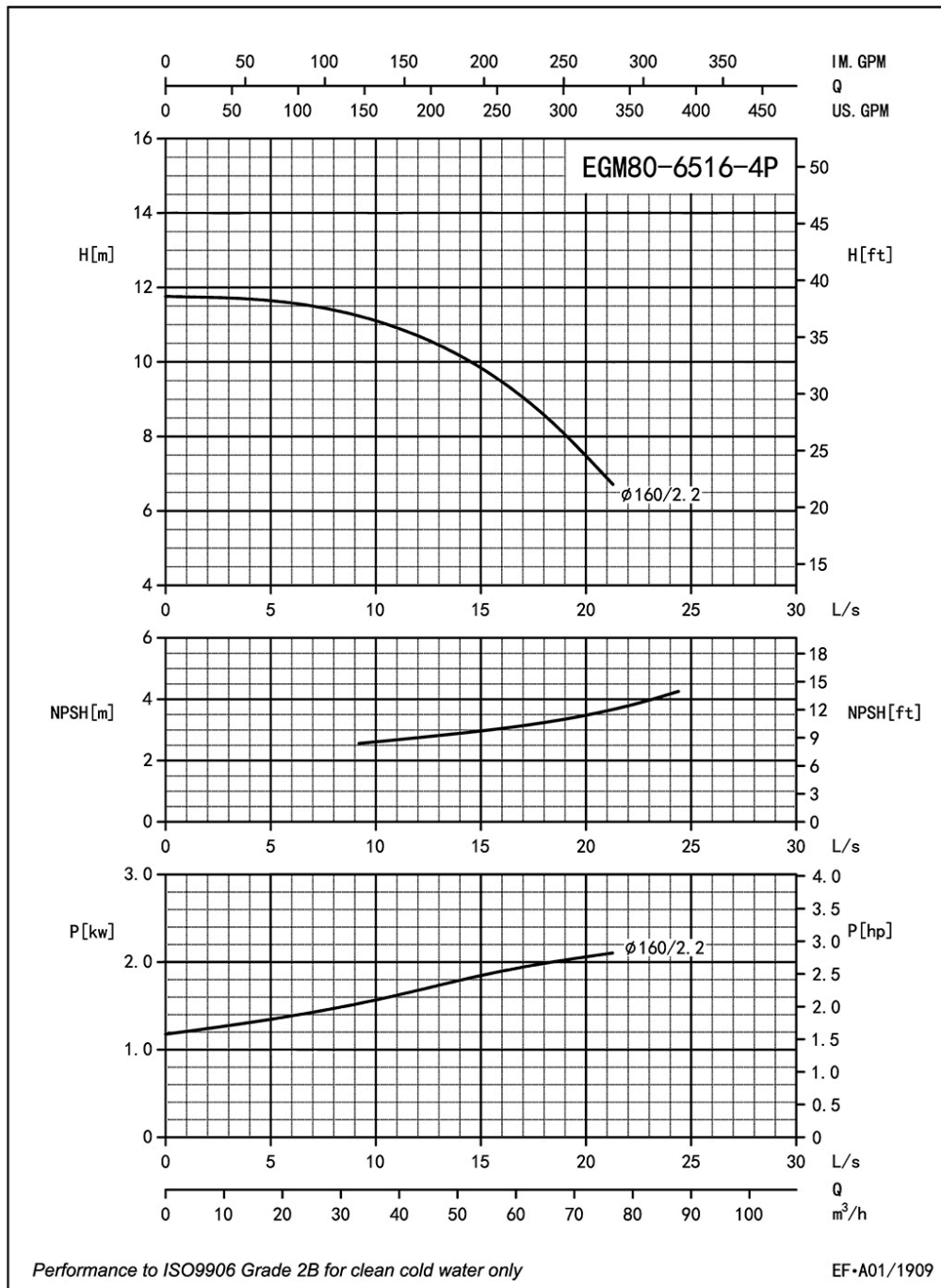
2

Receiver

From

 Company name  
 Respons. Department  
 Person in charge  
 Phone number  
 Fax no  
 E-mail address

Model	Capacity			Head		Speed	Motor	Voltage	Phase	Impeller Diam.		Eff.	(NPSH)r
	m <sup>3</sup> /h	l/s	gpm	m	ft	r/min	hp	v		mm	inch	%	ft
EGM80-6516-02204	36.7	10.2	161.7	11	36	1710	3	230/460	3	160	6.3	71	8.5
	62.1	17	269.5	9	30		3					79	10.5
	73.4	20.4	323.3	7.2	24		3					71	11.8



Project

Project ID

Created by

Created on

Last update



# Parts List

## Vertical In-line Pump - EGM80-6516-02204

Revision no.

Page:

3

Receiver

From

 Company name  
 Respons. Department  
 Person in charge  
 Phone number  
 Fax no  
 E-mail address


### Parts List

1 Casing	14 Screw
2 Impeller Nut	15 Screw Bolt
3 Flat Washer	16 Screw Nut
4 Spring Washer	17 Screw Bolt
5 Front-Wear Ring	18 1/4 Plug
6 Impeller	19 3/8 Plug
7 Seal Seat	20 Key
8 Mech Seal	21 Screw Nut
9 Casing Gasket	22 Motor
10 Casing Cover	23 Key
11 1/4 Plug	24 Screw
12 Adapter	25 Shaft
13 Guard	

Project

Project ID

Created by

Created on

Last update