



Technical Data

Vertical In-line Pump - EGM80-6520-04004

Revision no.

 Page:
1

Receiver

From

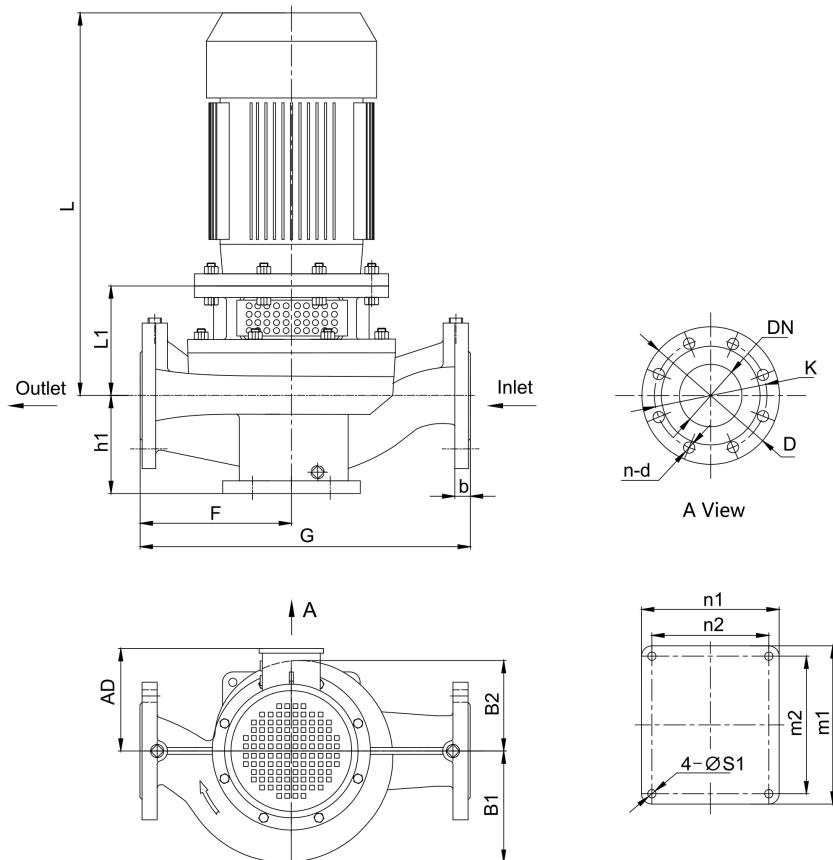
 Company name
 Respons. Department
 Person in charge
 Phone number
 Fax no
 E-mail address


Brand: Gol Pumps
Model: EGM80-6520-04004

| Motor (V1) | |
|------------|-----|
| Model | HP |
| Y2-112M-4 | 5.5 |

| Weight (lb) | | |
|-------------|-------|--------------|
| Pump | Motor | Pump & Motor |
| 136.4 | 103.4 | 239.8 |

Dimensions:



Pump Installation Size (inch)

| h1 | L1 | F | G | L | AD | B1 | B2 | n2 x m2 | n1 x m1 | S1 | DN | D | K | n - d | b |
|-----|-----|------|------|------|-----|-----|-----|---------|---------|-----|----|-----|---|----------------|---|
| 5.9 | 6.4 | 10.2 | 21.3 | 19.8 | 7.5 | 6.7 | 5.8 | 6.7x7.9 | 7.9x9.1 | 0.6 | 3 | 7.4 | 6 | 4 - ϕ 0.8 | - |

Project

Project ID

Created by

Created on

Last update



Performance Curves

Vertical In-line Pump - EGM80-6520-04004

Revision no.

Page:

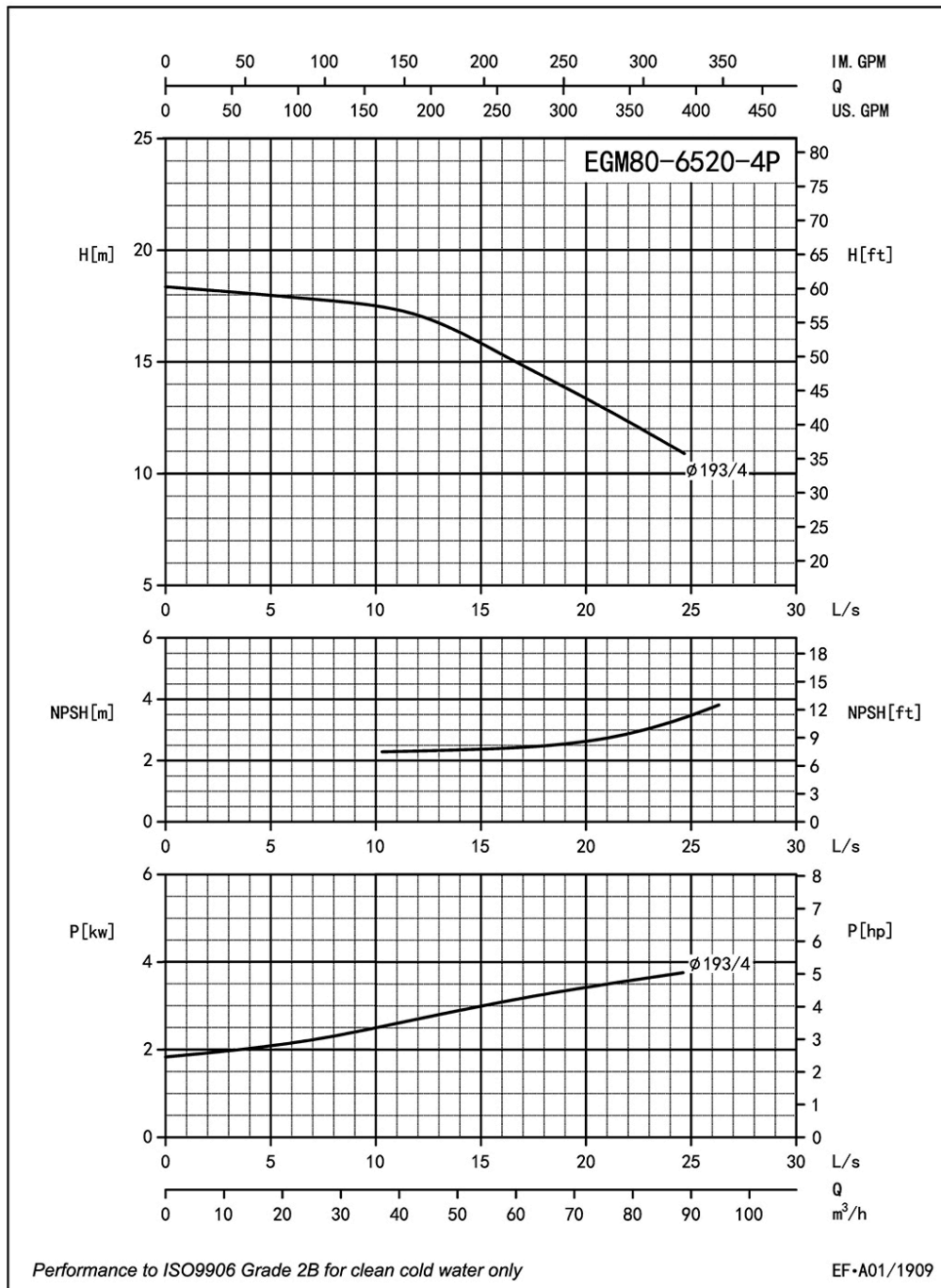
2

Receiver

From

 Company name
 Respons. Department
 Person in charge
 Phone number
 Fax no
 E-mail address

| Model | Capacity | | | Head | | Speed | Motor | Voltage | Phase | Impeller Diam. | | Eff. | (NPSH)r |
|------------------|-------------------|------|-------|------|----|-------|-------|---------|-------|----------------|------|------|---------|
| | m ³ /h | l/s | gpm | m | ft | r/min | hp | v | | mm | inch | % | ft |
| EGM80-6520-04004 | 38.9 | 10.8 | 171.2 | 17.3 | 57 | 1710 | 5.5 | 230/460 | 3 | 193 | 7.6 | 70 | 7.5 |
| | 64.8 | 18 | 285.3 | 14.3 | 47 | | 5.5 | | | | | 78 | 8.5 |
| | 77.8 | 21.6 | 342.4 | 13 | 43 | | 5.5 | | | | | 76 | 10.5 |



Project

Project ID

Created by

Created on

Last update



Parts List

Vertical In-line Pump - EGM80-6520-04004

Revision no.

Page:

3

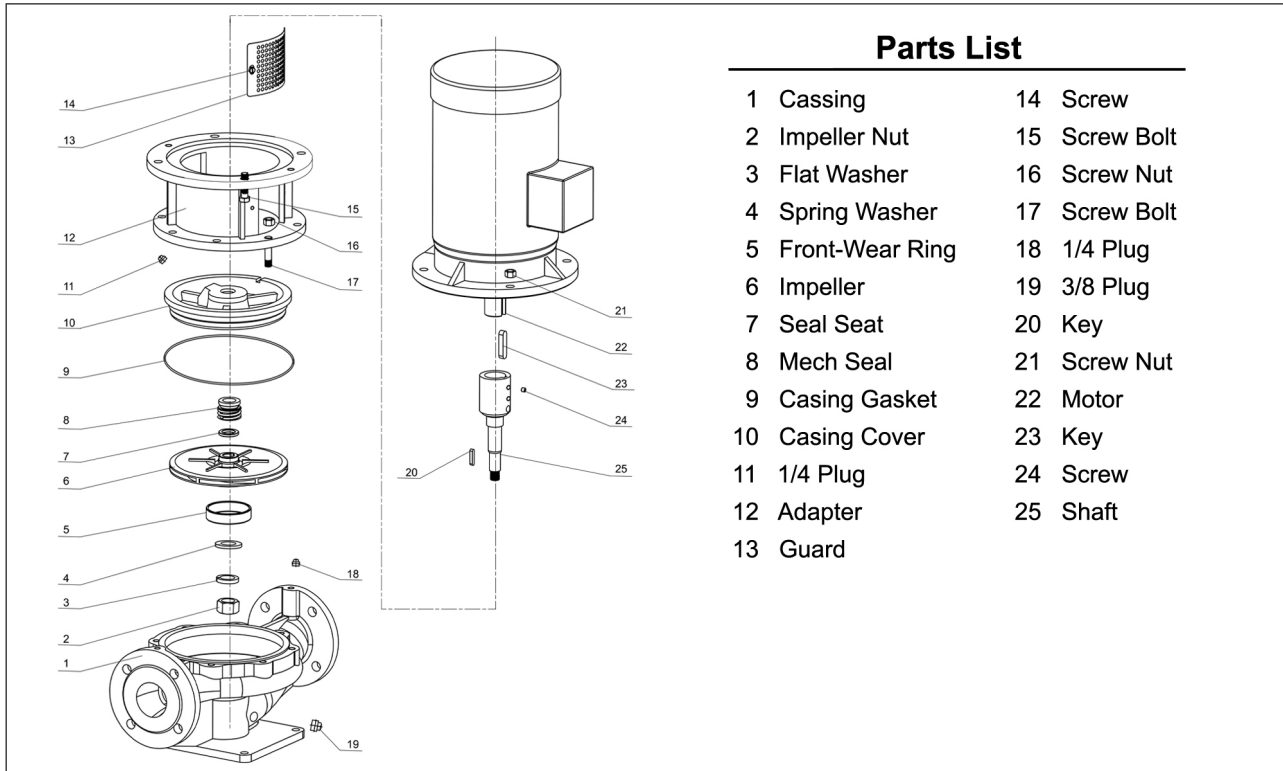
Receiver

From

 Company name
 Respons. Department
 Person in charge
 Phone number
 Fax no
 E-mail address

| |
|--|
| |
| |
| |
| |
| |

| |
|--|
| |
| |
| |
| |
| |



Project

Project ID

Created by

Created on

Last update