



# Technical Data

## Vertical In-line Pump - EGM80-6520-05504

Revision no.

Page:  
 1

	Receiver	From
Company name		
Respons. Department		
Person in charge		
Phone number		
Fax no		
E-mail address		

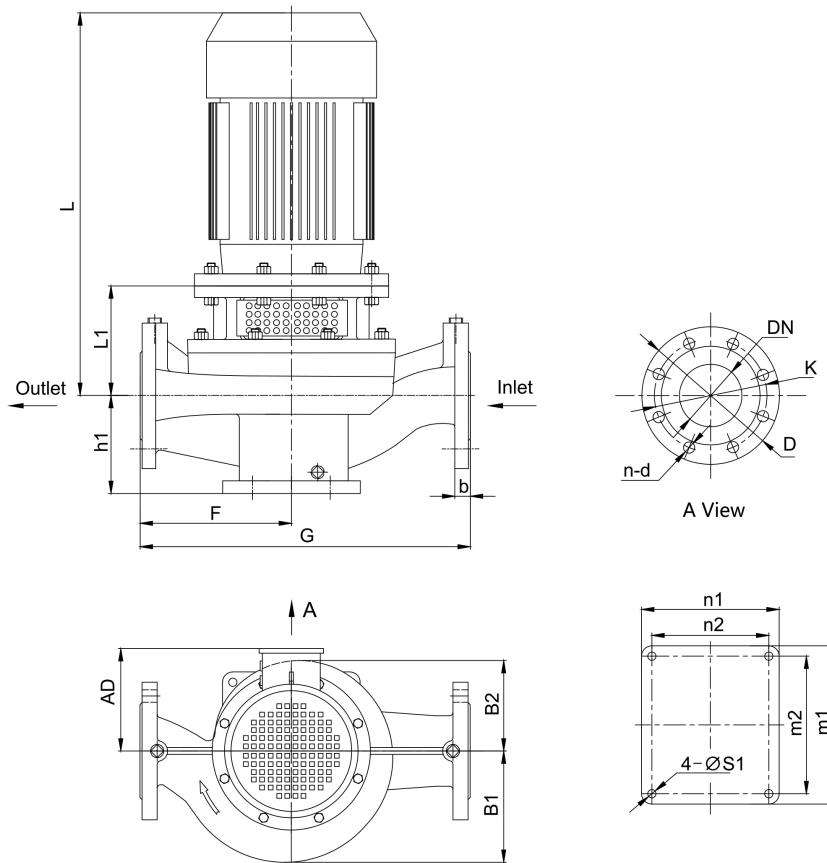


**Brand: Gol Pumps**  
**Model: EGM80-6520-05504**

Motor (V1)	
Model	HP
Y2-132S-4	7.5

Weight (lb)		
Pump	Motor	Pump & Motor
143	143	286

**Dimensions:**



Pump Installation Size (inch)																
h1	L1	F	G	L	AD	B1	B2	n2 x m2	n1 x m1	S1	DN	D	K	n - d	b	
5.9	7.3	10.2	21.3	22.7	8.3	6.7	5.8	6.7x7.9	7.9x9.1	0.6	3	7.4	6	4 - $\phi$ 0.8	-	

Project	Project ID	Created by	Created on	Last update
---------	------------	------------	------------	-------------



# Performance Curves

## Vertical In-line Pump - EGM80-6520-05504

Revision no.

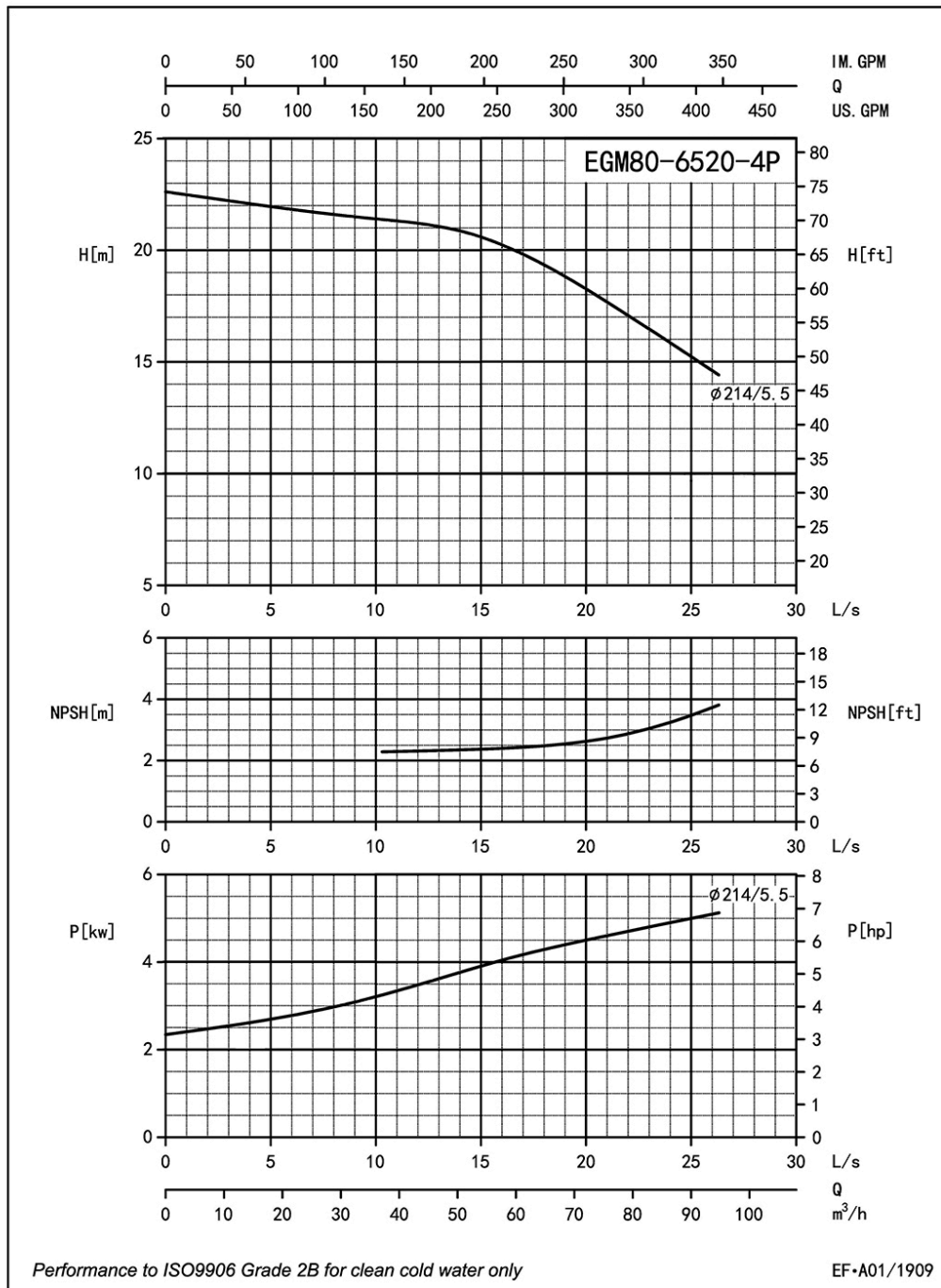
 Page:  
2

Receiver

From

 Company name  
 Respons. Department  
 Person in charge  
 Phone number  
 Fax no  
 E-mail address

Model	Capacity			Head		Speed	Motor	Voltage	Phase	Impeller Diam.		Eff.	(NPSH)r
	m <sup>3</sup> /h	l/s	gpm	m	ft	r/min	hp	v		mm	inch	%	ft
EGM80-6520-05504	43.2	12	190.2	21.2	70	1710	7.5	230/460	3	214	8.4	70	7.5
	72	20	317	18.2	60		7.5					79	8.5
	86.4	24	380.4	15.9	52		7.5					76	10.5



Project

Project ID

Created by

Created on

Last update



# Parts List

## Vertical In-line Pump - EGM80-6520-05504

Revision no.

Page:  
 3

Receiver

From

Company name  
 Respons. Department  
 Person in charge  
 Phone number  
 Fax no  
 E-mail address



### Parts List

1 Cassing	14 Screw
2 Impeller Nut	15 Screw Bolt
3 Flat Washer	16 Screw Nut
4 Spring Washer	17 Screw Bolt
5 Front-Wear Ring	18 1/4 Plug
6 Impeller	19 3/8 Plug
7 Seal Seat	20 Key
8 Mech Seal	21 Screw Nut
9 Casing Gasket	22 Motor
10 Casing Cover	23 Key
11 1/4 Plug	24 Screw
12 Adapter	25 Shaft
13 Guard	

Project	Project ID	Created by	Created on	Last update
---------	------------	------------	------------	-------------