



Technical Data

Centrifugal Pump - EH100-65-250

Revision no.

Page:

1

Receiver

From

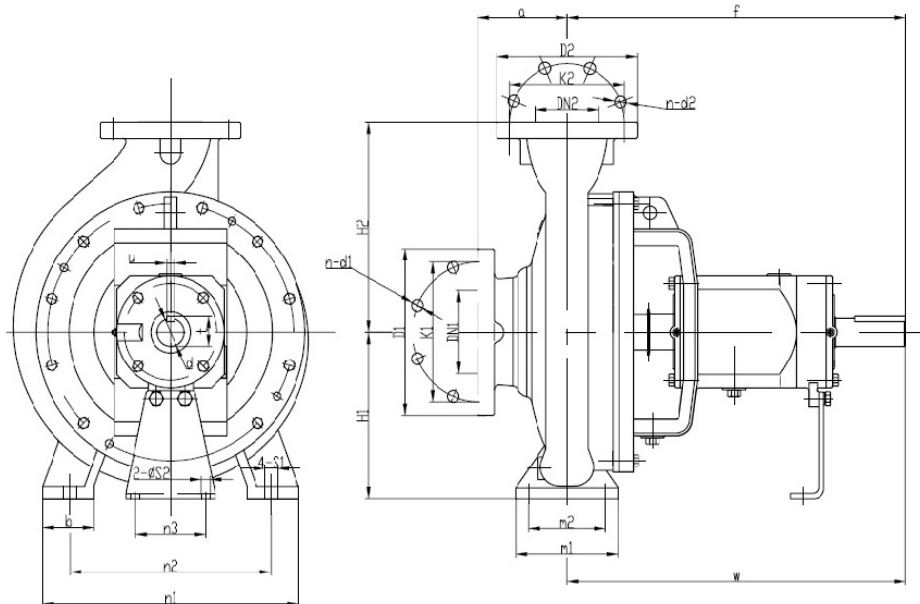
 Company name
 Respons. Department
 Person in charge
 Phone number
 Fax no
 E-mail address



Brand: Gol Pumps
Model: EH100-65-250

Weight (lb)	
Pump	268

Dimensions:



Suction flange	Suction		Discharge	Discharge		Imp. Dia		Shaft no.
	mm	in		mm	in	mm	in	
DN100	100	4	DN65	65	2.5	315	12.6	3

Pump installation size (inch)

a	f	h1	h2	b	m1	m2	n1	n2	n3	c1	c2	w	S1	S2	d	t	u	l
5	21.2	9	11.2	3.2	6.4	4.8	16	12.6	4.4	0.72	0.32	14.8	M16	M12	1.68	1.8	0.48	4.4

Project

Project ID

Created by

Created on

Last update



Technical Data

Centrifugal Pump - EH100-65-250

Revision no.

Page:

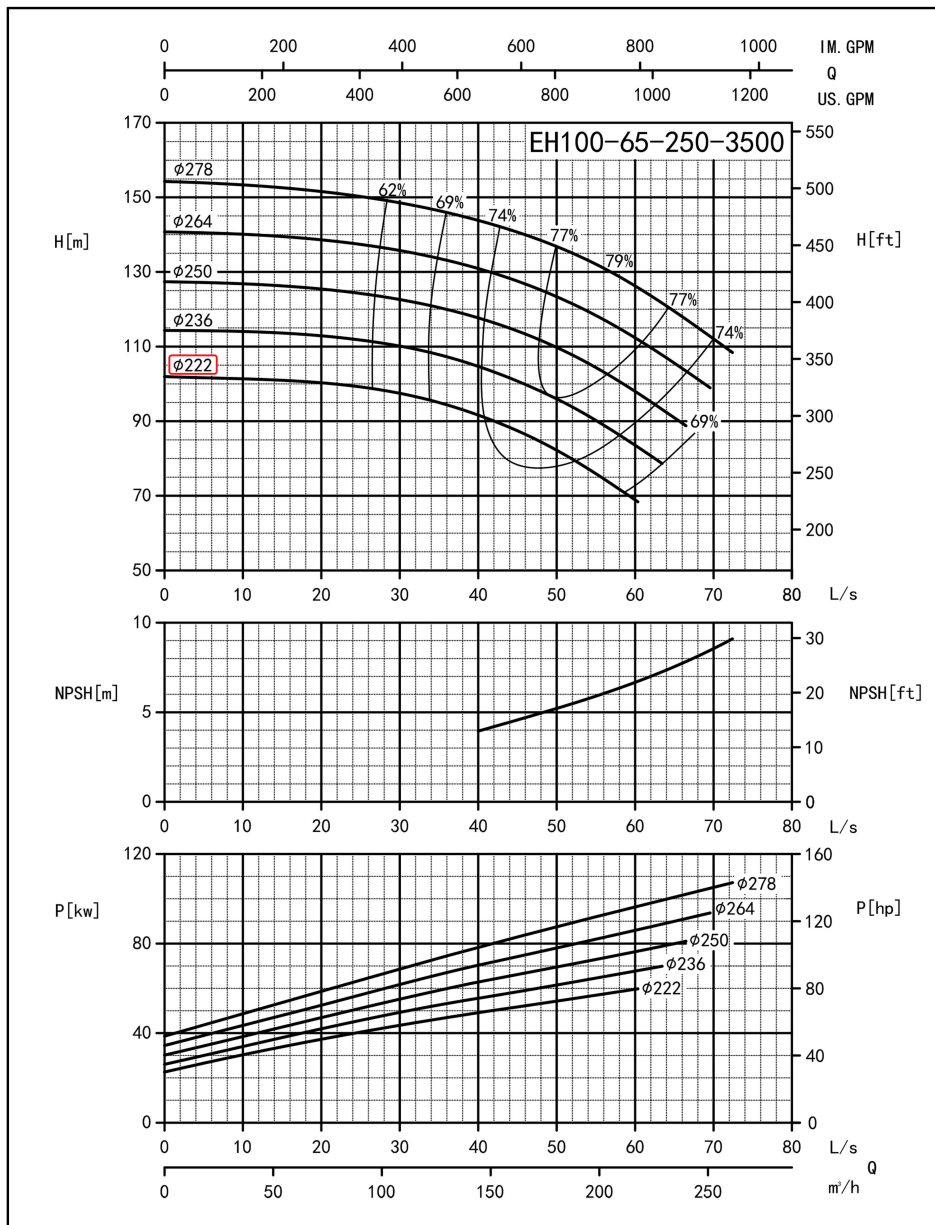
2

Receiver

From

 Company name
 Respons. Department
 Person in charge
 Phone number
 Fax no
 E-mail address

Model	Capacity				Head		Speed r/min	Power			Motor Model	Eff %	Impeller Dia.		NPSHr Ft	
	m ³ /h	L/s	GPM	GPH	m	Ft		Shaft kw	Motor							
									kw	HP			mm	in		
EH100-65-250	93.7	26	412.5	24750	99.05	325	3500	40.98	55	75	Y2-280S-2 75 Kw	61.7	222	8.7	9.2	
	156.1	43.4	687.3	41238	88.85	291.5		50.54	75	100					74.8	14.4
	187.2	52	825.1	49506	79.88	262.1		55.11	75	100					74	18



Performance to ISO9906 Grade 2 for clean cold water only

EF-A01/1603

Project

Project ID

Created by

Created on

Last update