



Technical Data

Centrifugal Pump - EH100-80-160

Revision no.

Page:
 1

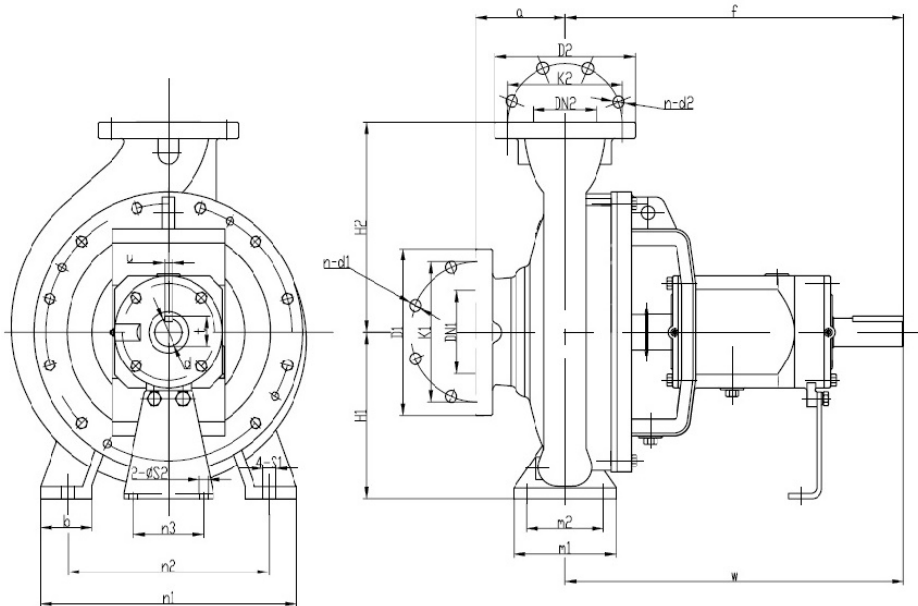
	Receiver	From
Company name		
Respons. Department		
Person in charge		
Phone number		
Fax no		
E-mail address		



Brand: Gol Pumps
Model: EH100-80-160

Weight (lb)	
Pump	150

Dimensions:



Suction flange	Suction		Discharge	Discharge		Imp. Dia		Shaft no.
	mm	in		mm	in	mm	in	
DN100	100	4	DN80	80	3	160	6.4	2

Pump installation size (inch)																		
a	f	h1	h2	b	m1	m2	n1	n2	n3	c1	c2	w	S1	S2	d	t	u	l
4	20	6.4	8	2.6	5	3.8	11.2	8.5	4.4	0.6	0.2	14.8	M12	M12	1.3	1.4	0.4	3.2

Project	Project ID	Created by	Created on	Last update
---------	------------	------------	------------	-------------



Performance Curves

Centrifugal Pump - EH100-80-160

Revision no.

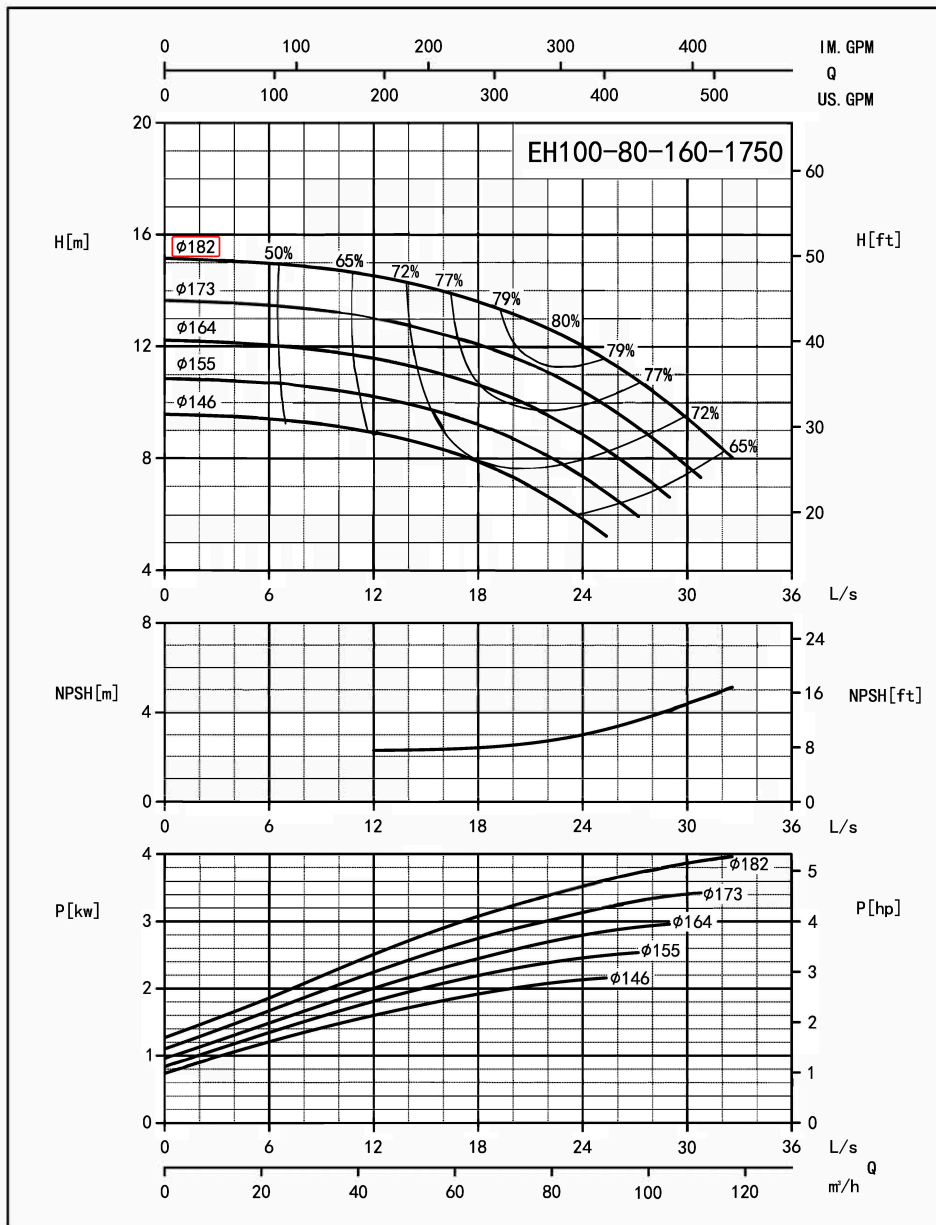
Page:
2

Receiver

From

Company name
Respons. Department
Person in charge
Phone number
Fax no
E-mail address

Model	Capacity				Head		Speed r/min	Power			Motor Model	Eff %	Impeller Dia.		NPSHr m	
	m ³ /h	L/s	GPM	GPH	m	Ft		Shaft	Motor							
								kw	kw	HP						
EH100-80-160	49.53	13.76	218.1	13086	14.30	46.9	1750	2.68	4.00	5.50	Y2-132S-4 5.5KW	72	182	7.2	2.2	
	82.55	22.93	363.5	21810	12.38	40.6		3.48	4.00	5.50					80	3
	99.06	27.52	436.1	26166	10.68	35.0		3.75	5.50	7.50					76.9	3.9



Performance to ISO9906 Grade 2 for clean cold water only

EF-A01/1603

Project	Project ID	Created by	Created on	Last update
---------	------------	------------	------------	-------------