



Technical Data

Centrifugal Pump - EH65-40-250

Revision no.

Page:

1

Receiver

From

 Company name
 Respons. Department
 Person in charge
 Phone number
 Fax no
 E-mail address

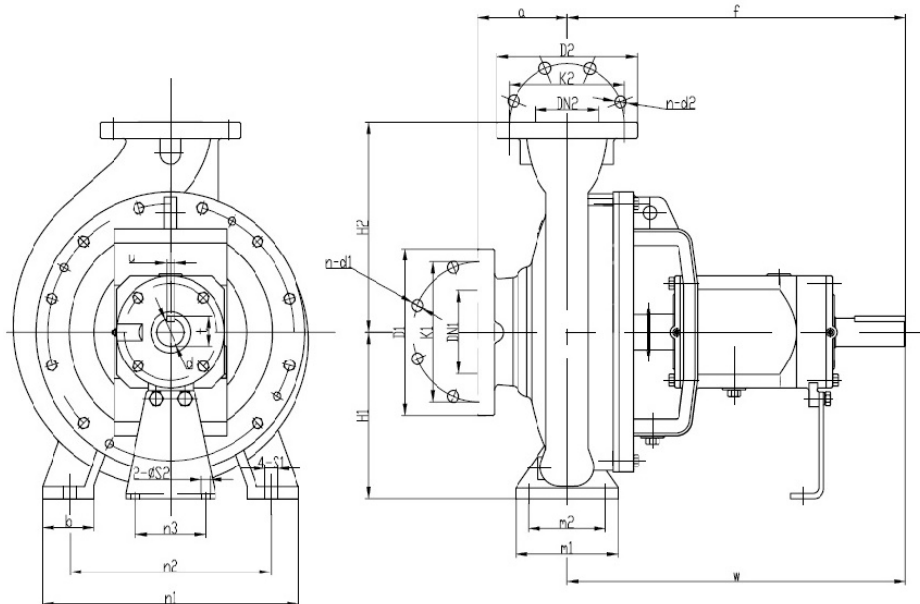
--	--



Brand: Gol Pumps
Model: EH65-40-250

Weight (lb)	
Pump	156

Dimensions:



Suction flange	Suction		Discharge	Discharge		Imp. Dia		Shaft no.
	mm	in		mm	in	mm	in	
DN65	65	2.6	DN40	40	1.6	250	10	2

Pump installation size (inch)

a	f	h1	h2	b	m1	m2	n1	n2	n3	c1	c2	w	S1	S2	d	t	u	l
4	20	7.2	9	2.6	5	3.8	13	10	4.4	0.6	0.2	15	M12	M12	1.3	1.4	0.4	3.2

Project

Project ID

Created by

Created on

Last update



Performance Curves

Centrifugal Pump - EH65-40-250

Revision no.

Page:

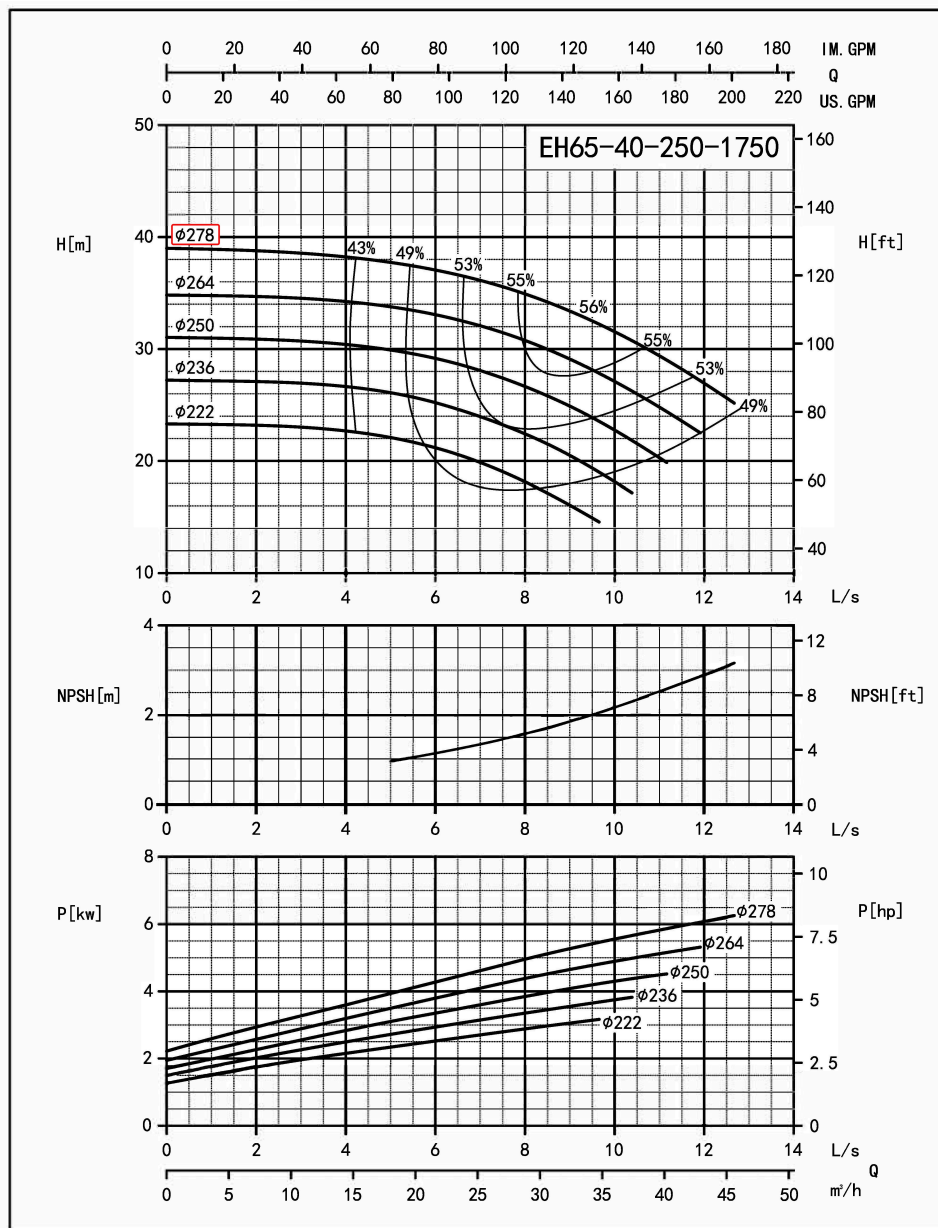
2

Receiver

From

 Company name
 Respons. Department
 Person in charge
 Phone number
 Fax no
 E-mail address

Model	Capacity				Head		Speed r/min	Power			Motor Model	Eff %	Impeller Dia.		NPSHr m	
	m ³ /h	L/s	GPM	GPH	m	Ft		Shaft	Motor							
								kw	kw	HP						
EH65-40-250	20.86	5.79	91.8	5508	37.29	122.3	1750	4.22	5.50	7.50	Y2-I32M-4 7.5KW	50.2	278	10.9	1.1	
	34.76	9.66	153	9180	32.34	106.1		5.47	7.50	10.00					56	2.1
	41.71	11.59	183.6	11016	27.97	91.7		5.96	7.50	10.00					53.3	2.7



Performance to ISO9906 Grade 2 for clean cold water only

EF-A01/1601

Project

Project ID

Created by

Created on

Last update