



Technical Data

Centrifugal Pump - EH65-40-250

Revision no.

Page:

1

Receiver

From

 Company name
 Respons. Department
 Person in charge
 Phone number
 Fax no
 E-mail address

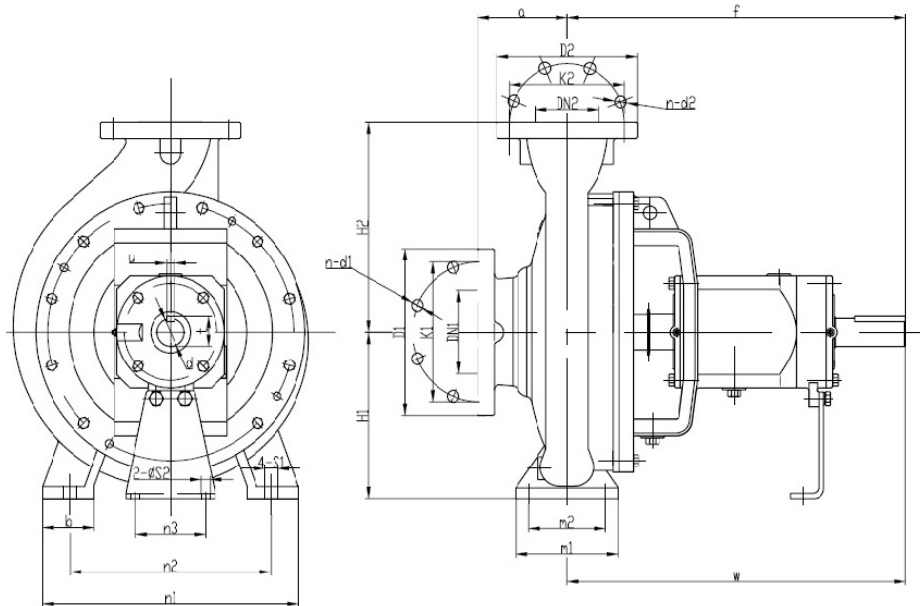
| | |
|--|--|
| | |
|--|--|



Brand: Gol Pumps
Model: EH65-40-250

| Weight (lb) | |
|-------------|-----|
| Pump | 156 |

Dimensions:



| Suction flange | Suction | | Discharge | Discharge | | Imp. Dia | | Shaft no. |
|----------------|---------|-----|-----------|-----------|-----|----------|----|-----------|
| | mm | in | | mm | in | mm | in | |
| DN65 | 65 | 2.6 | DN40 | 40 | 1.6 | 250 | 10 | 2 |

Pump installation size (inch)

| a | f | h1 | h2 | b | m1 | m2 | n1 | n2 | n3 | c1 | c2 | w | S1 | S2 | d | t | u | l |
|---|----|-----|----|-----|----|-----|----|----|-----|-----|-----|----|-----|-----|-----|-----|-----|-----|
| 4 | 20 | 7.2 | 9 | 2.6 | 5 | 3.8 | 13 | 10 | 4.4 | 0.6 | 0.2 | 15 | M12 | M12 | 1.3 | 1.4 | 0.4 | 3.2 |

Project

Project ID

Created by

Created on

Last update



Performance Curves

Centrifugal Pump - EH65-40-250

Revision no.

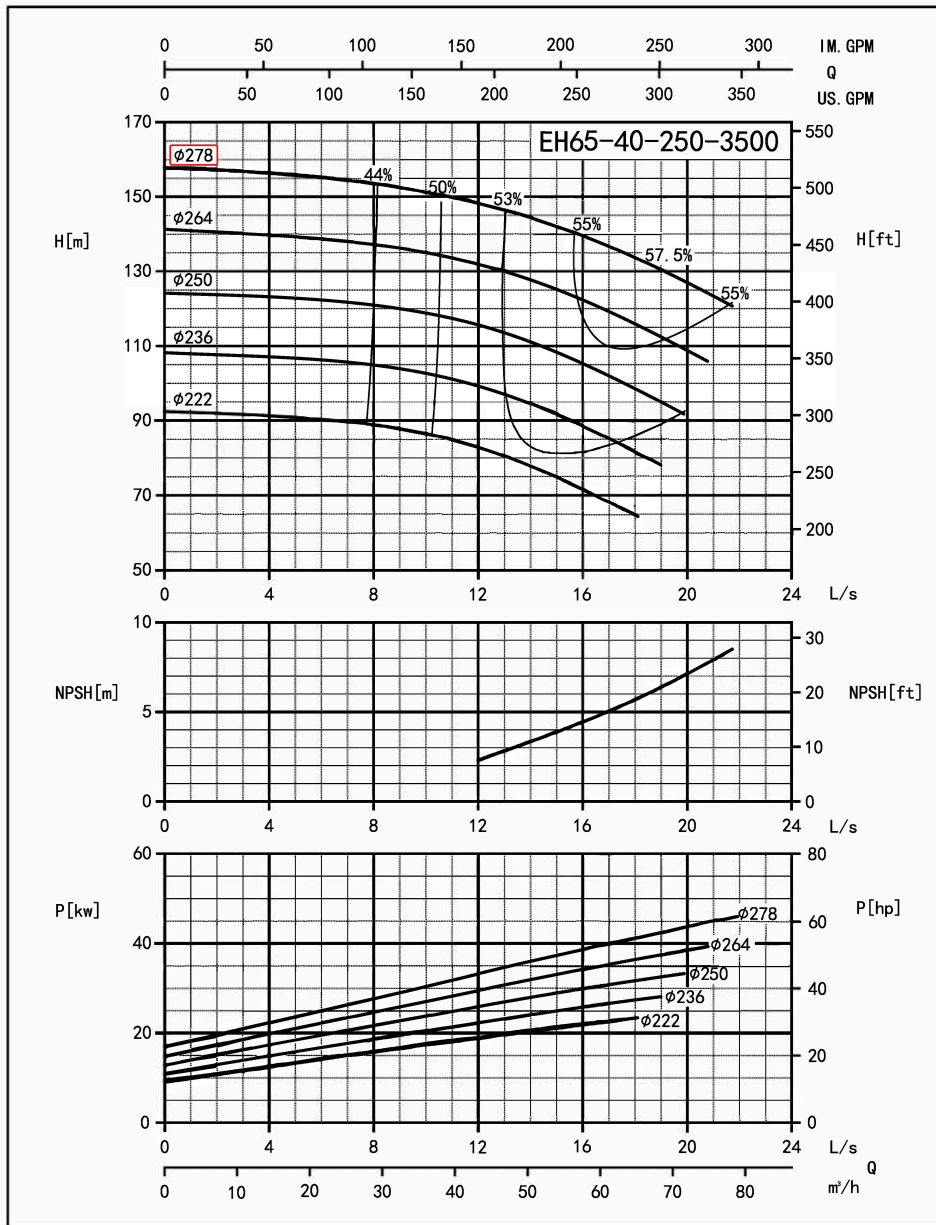
 Page:
3

Receiver

From

 Company name
 Respons. Department
 Person in charge
 Phone number
 Fax no
 E-mail address

| Model | Capacity | | | | Head | | Speed r/min | Power | | | Motor Model | Eff % | Impeller Dia. | | NPSHr m | | |
|-------------|-------------------|-------|-------|-------|--------|-------|----------------|-------|-------|-------|-------------------|----------|---------------|------|------------|------|-----|
| | m ³ /h | L/s | GPM | GPH | m | Ft | | Shaft | Motor | | | | | | | | |
| | | | | | | | | kw | kw | HP | | | | | | | |
| EH65-40-250 | 36.50 | 10.14 | 160.7 | 9642 | 151.20 | 495.9 | 3500 | 30.75 | 37.00 | 55.00 | Y2-250M-2 55KW | 48.9 | 278 | 10.9 | 1.7 | | |
| | 60.83 | 16.90 | 267.8 | 16068 | 136.92 | 449.1 | | 40.53 | 55.00 | 75.00 | | | | | | 56 | 5 |
| | 72.99 | 20.28 | 321.4 | 19284 | 126.00 | 413.3 | | 44.44 | 55.00 | 75.00 | | | | | | 56.4 | 7.3 |



Performance to ISO9906 Grade 2 for clean cold water only

EF-A01/1603

Project

Project ID

Created by

Created on

Last update