



Technical Data

Centrifugal Pump - EH80-50-200

Revision no.

Page:

1

Receiver

From

 Company name
 Respons. Department
 Person in charge
 Phone number
 Fax no
 E-mail address

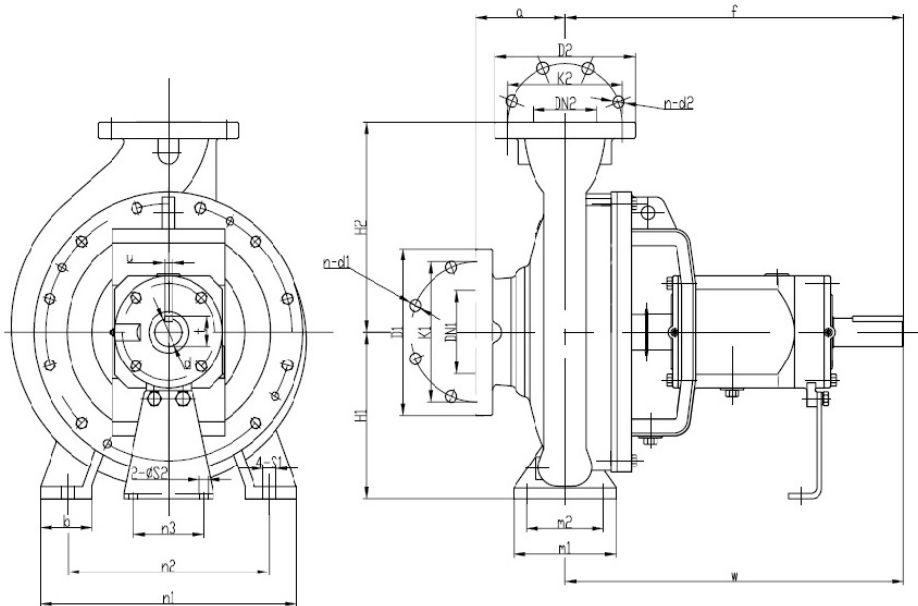
--	--



Brand: Gol Pumps
Model: EH80-50-200

Weight (lb)	
Pump	117

Dimensions:



Suction flange	Suction		Discharge	Discharge		Imp. Dia		Shaft no.
	mm	in		mm	in	mm	in	
DN80	80	3.2	DN50	50	2	200	8	1

Pump installation size (inch)

a	f	h1	h2	b	m1	m2	n1	n2	n3	c1	c2	w	S1	S2	d	t	u	l
4	15.4	6.4	8	2	4	2.8	10.6	8.5	4.4	0.5	0.2	11.4	M12	M12	0.9	1.1	0.3	2

Project

Project ID

Created by

Created on

Last update



Performance Curves

Centrifugal Pump - EH80-50-200

Revision no.

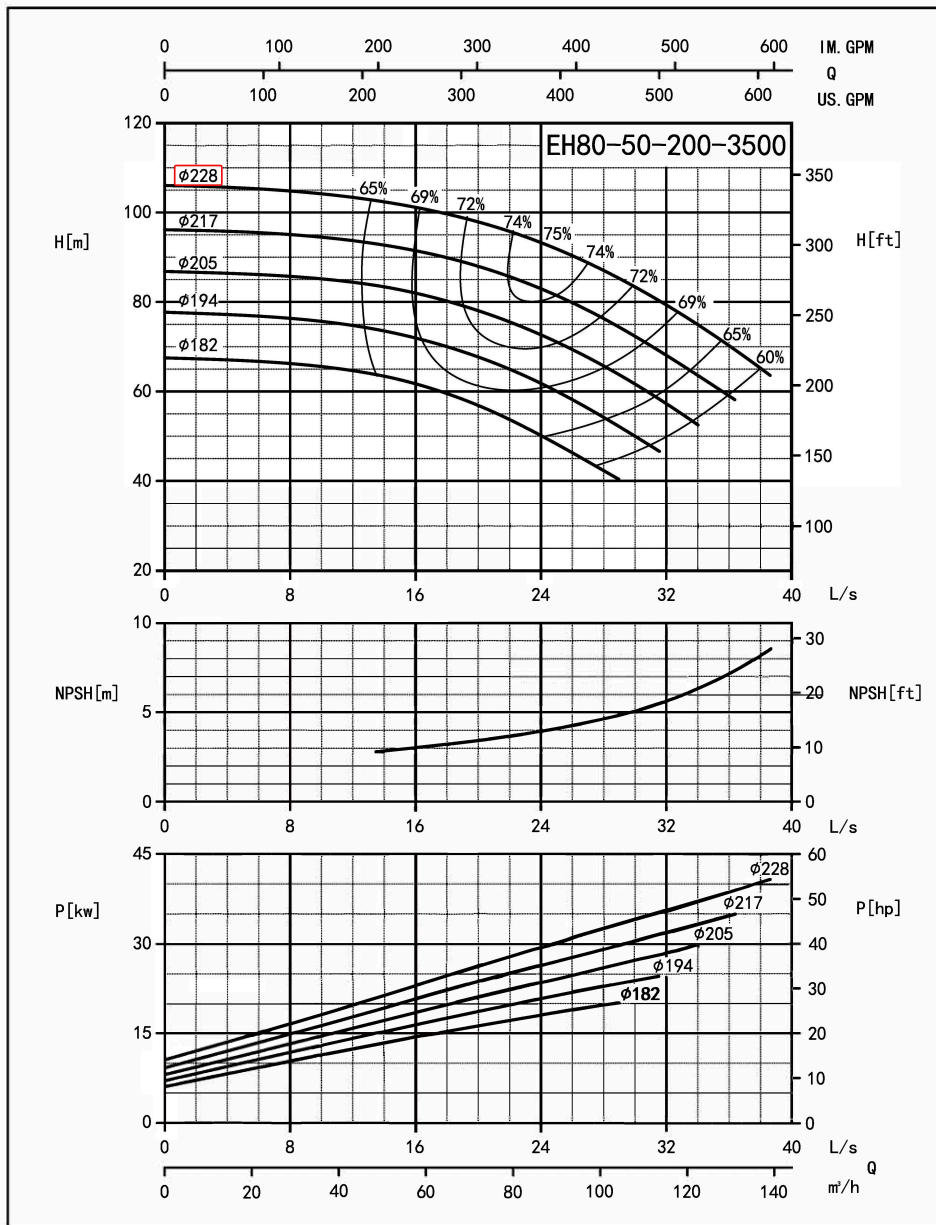
 Page:
3

Receiver

From

 Company name
 Respons. Department
 Person in charge
 Phone number
 Fax no
 E-mail address

Model	Capacity				Head		Speed r/min	Power			Motor Model	Eff %	Impeller Dia.		NPSHr m		
	m ³ /h	L/s	GPM	GPH	m	Ft		Shaft	Motor								
								kw	kw	HP							
EH80-50-200	52.14	14.48	229.6	13776	102.11	334.9	3500	21.72	30.00	40.00	Y2-200L2-2 37KW	66.8	228	9.0	2.9		
	86.90	24.14	382.6	22956	93.22	305.8		29.43	37.00	50.00						75	4
	104.28	28.97	459.1	27546	85.36	280.0		33.32	37.00	50.00						72.8	4.9



Performance to ISO9906 Grade 2 for clean cold water only

EF-A01/1603

Project	Project ID	Created by	Created on	Last update
---------	------------	------------	------------	-------------