



# Technical Data

## Centrifugal Pump - EH80-50-250

Revision no.

Page:

1

Receiver

From

 Company name  
 Respons. Department  
 Person in charge  
 Phone number  
 Fax no  
 E-mail address

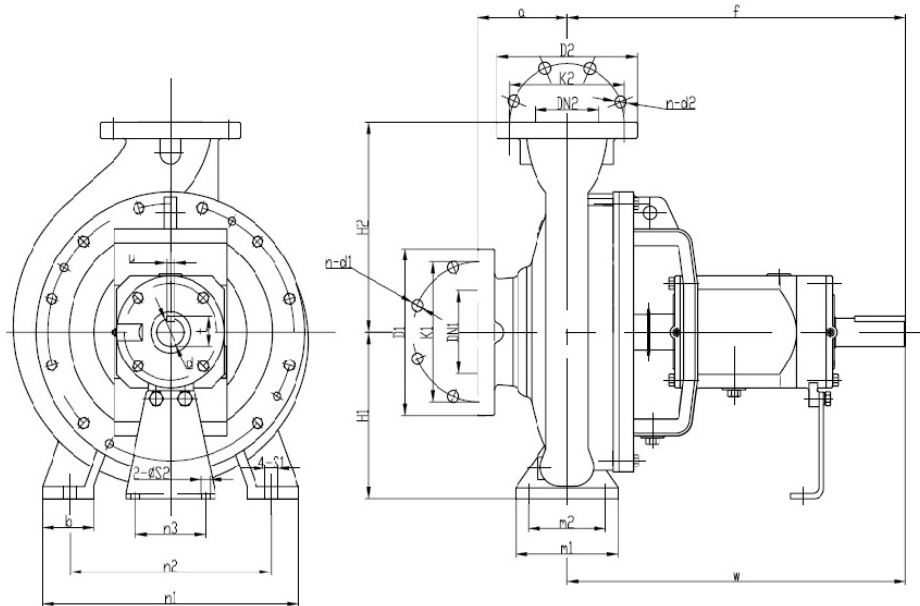
--	--



**Brand: Gol Pumps**  
**Model: EH80-50-250**

Weight (lb)	
Pump	167

### Dimensions:



Suction flange	Suction		Discharge	Discharge		Imp. Dia		Shaft no.
	mm	in		mm	in	mm	in	
DN80	80	3.2	DN50	50	2	250	10	2

Pump installation size (inch)

a	f	h1	h2	b	m1	m2	n1	n2	n3	c1	c2	w	S1	S2	d	t	u	l
5	20	7.2	9	2.6	5	3.8	12.8	10	4.4	0.6	0.2	14.8	M12	M12	1.3	1.4	0.4	3.2

Project

Project ID

Created by

Created on

Last update



# Performance Curves

## Centrifugal Pump - EH80-50-250

Revision no.

Page:  
3

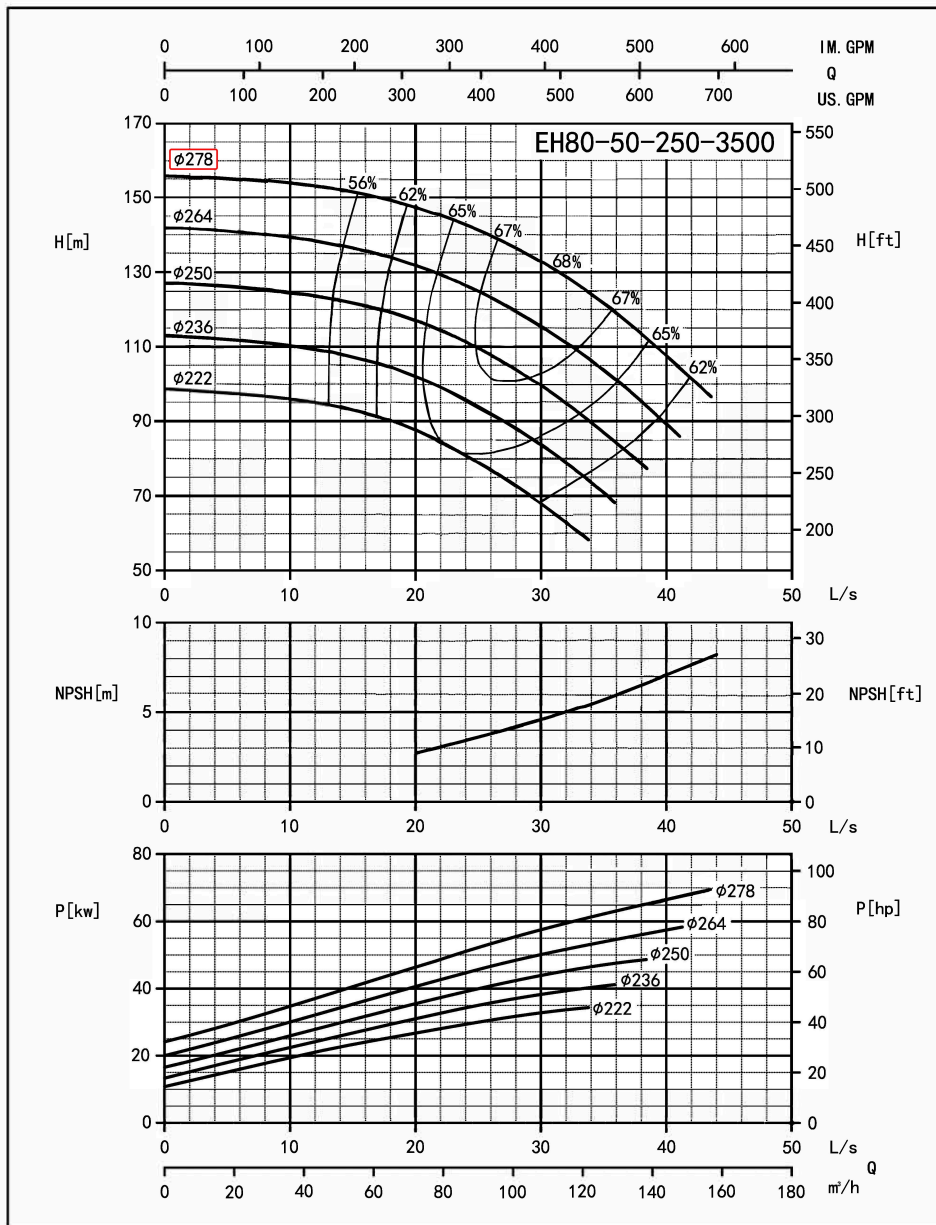
Receiver

From

Company name  
Respons. Department  
Person in charge  
Phone number  
Fax no  
E-mail address



Model	Capacity				Head		Speed r/min	Power			Motor Model	Eff %	Impeller Dia.		NPSHr m		
	m <sup>3</sup> /h	L/s	GPM	GPH	m	Ft		Shaft	Motor								
								kw	kw	HP			mm	in			
EH80-50-250	62.57	17.38	275.5	16530	149.74	491.1	3500	43.12	55.00	75.00	Y2-280S-2 75KW	59.2	278	10.9	2.3		
	104.28	28.97	459.1	27546	134.88	442.4		56.78	75.00	100.00						67.5	4.4
	125.13	34.76	550.9	33054	122.35	401.3		62.08	75.00	100.00						67.2	5.7



Performance to ISO9906 Grade 2 for clean cold water only

EF-A01/1603

Project	Project ID	Created by	Created on	Last update
---------	------------	------------	------------	-------------