



Technical Data

Trash Pump - EJ100-250

Revision no.

Page:
 1

Receiver	From

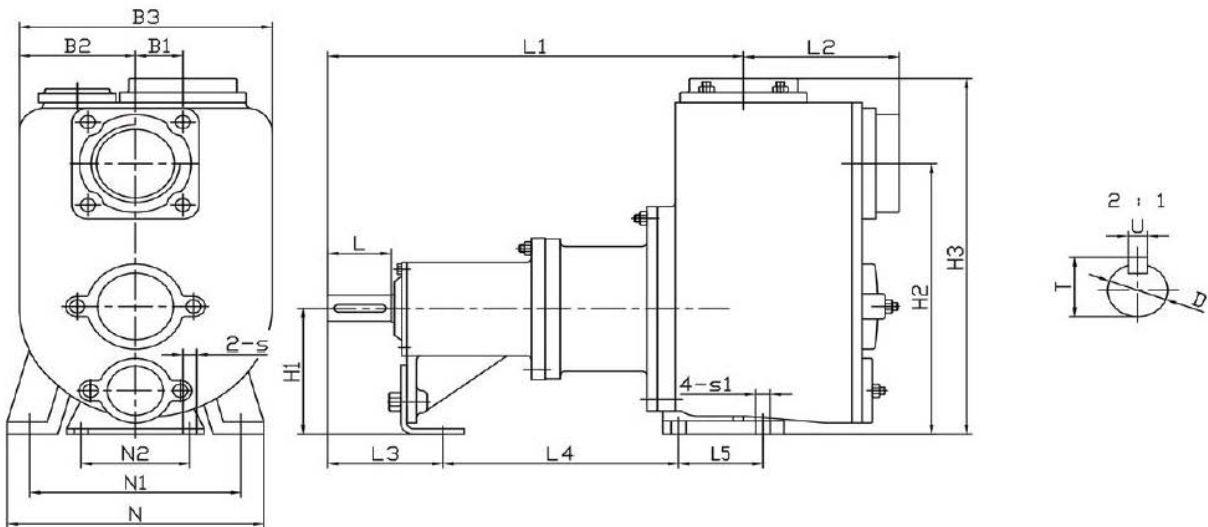
Company name
 Respons. Department
 Person in charge
 Phone number
 Fax no
 E-mail address



Brand: Gol Pumps
Model: EJ100-250

Weight (lb)	
Pump	326.3

Dimensions:



Pump installation size (inch)																				
B1	B2	B3	L1	L2	H1	H2	H3	N2	N1	N	L	L3	L4	L5	s1	s	T	U	D	
6.4	7.2	16.8	18.8	11	8	14	19.5	4.4	11.8	13.6	3.2	5.5	13.9	3.8	Ø14	Ø15	1.4	0.4	Ø32	

Project	Project ID	Created by	Created on	Last update
---------	------------	------------	------------	-------------



Performance Curves

Trash Pump - EJ100-250

Revision no.

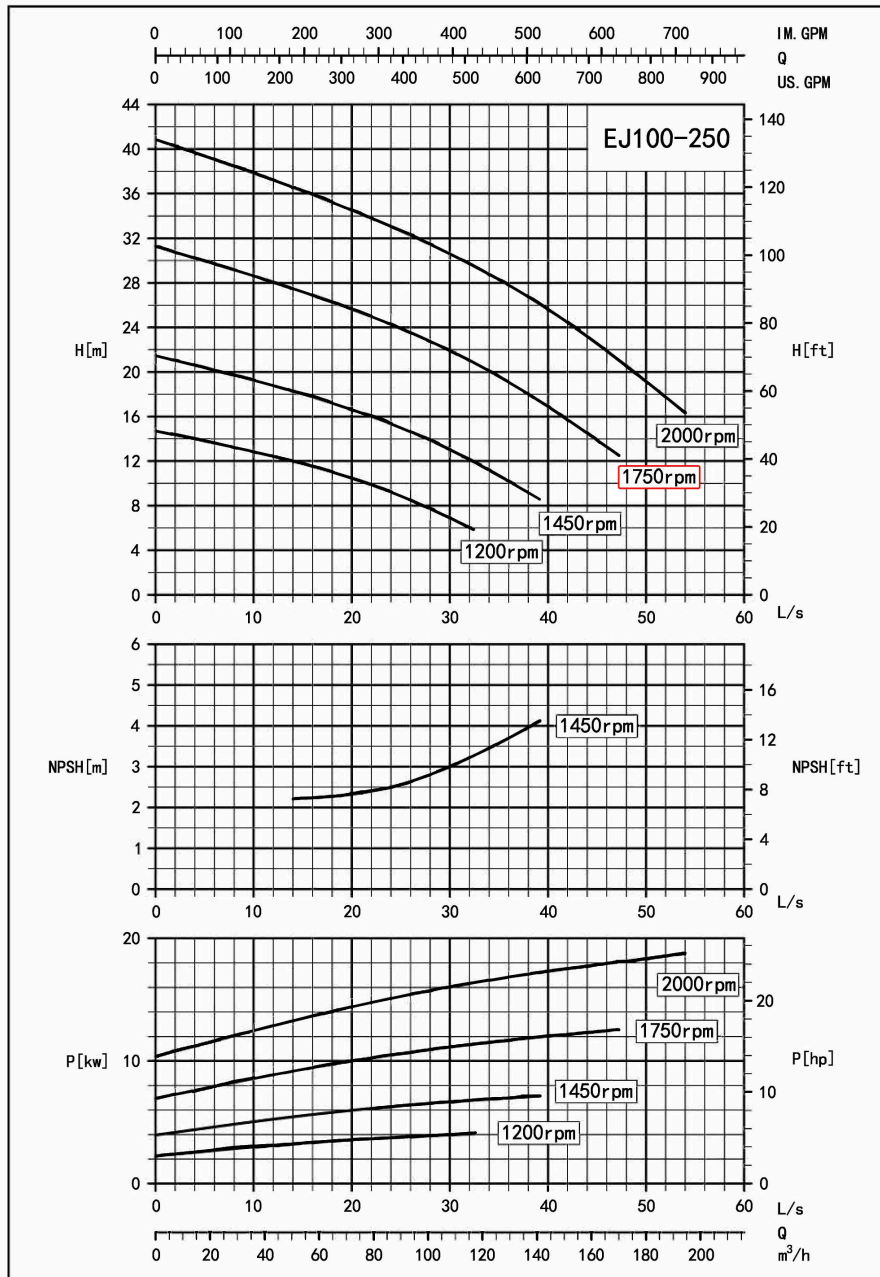
Page:
2

Receiver

From

Company name
Respons. Department
Person in charge
Phone number
Fax no
E-mail address

Model	Inlet and Outlet diam.		Solid		Flow		Head		Speed	Power	
	mm	in	mm	in	m ³ /h	gpm	m	ft	rpm	kw	hp
EJ100-250	100	4	50	1.97	50	220.1	27	88.6	1750	15	20
					110	484.3	21	68.9			
					160	704.5	14	45.9			



Performance to ISO9906 Grade 2

EF•A01/1406

Project	Project ID	Created by	Created on	Last update
---------	------------	------------	------------	-------------