



Technical Data

Multi Stage Pump - GARS-25/05

Revision no.

Page:

1

Receiver

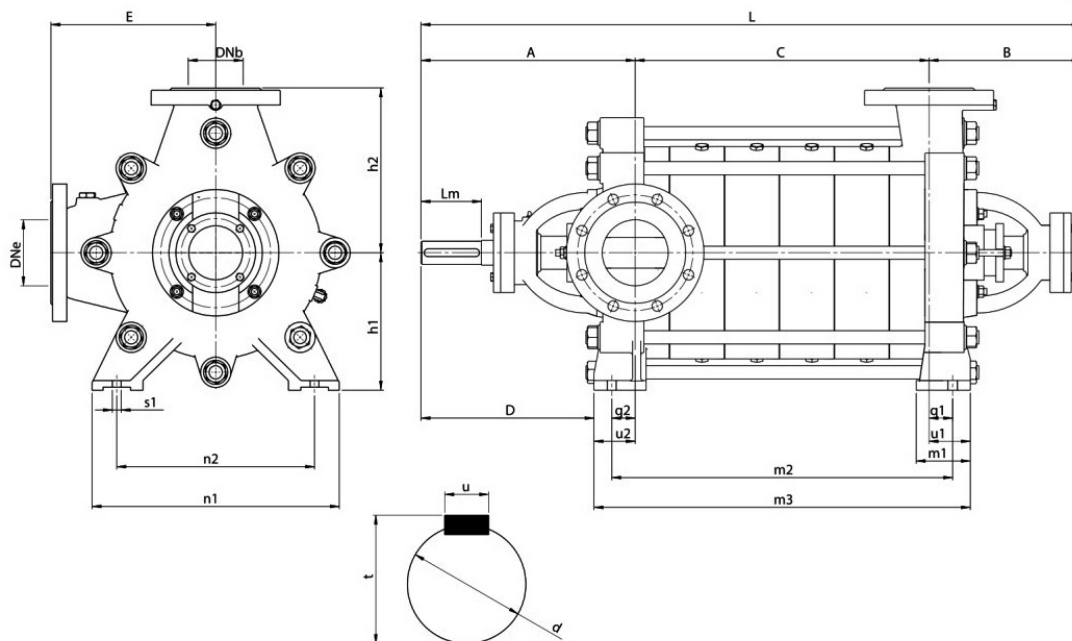
From

 Company name
 Respons. Department
 Person in charge
 Phone number
 Fax no
 E-mail address



Brand: Gol Pumps
Model: GARS-25/05

Dimensions:



Inlet and Outlet Flange	
DNe	DNb
1.25	1

Shaft Dimensions (inch)			
d	Lm	t	u
0.9	2.4	1.1	0.3

Pump Installation Size (inch)																
A	B	D	E	L	h1	h2	q1	q2	u1	u2	m1	m2	m3	n1	n2	s1
9.4	6.7	5.6	5.3	C+16	4.4	5.3	3	3	3.9	3.9	2.6	C+5.5	C+7.7	7	4.7	0.6

"C" Dimensions by Stage (inch)																
2	3	4	5	6	7	8	9	10	11	12	13	14	15	16	17	
4.2	5.7	7.3	8.8	10.4	11.9	13.4	15	16.5	18	19.6	21.1	22.6	24.2	25.7	27.2	

Project	Project ID	Created by	Created on	Last update
---------	------------	------------	------------	-------------



Performance Curves

Multi Stage Pump - GARS-25/05

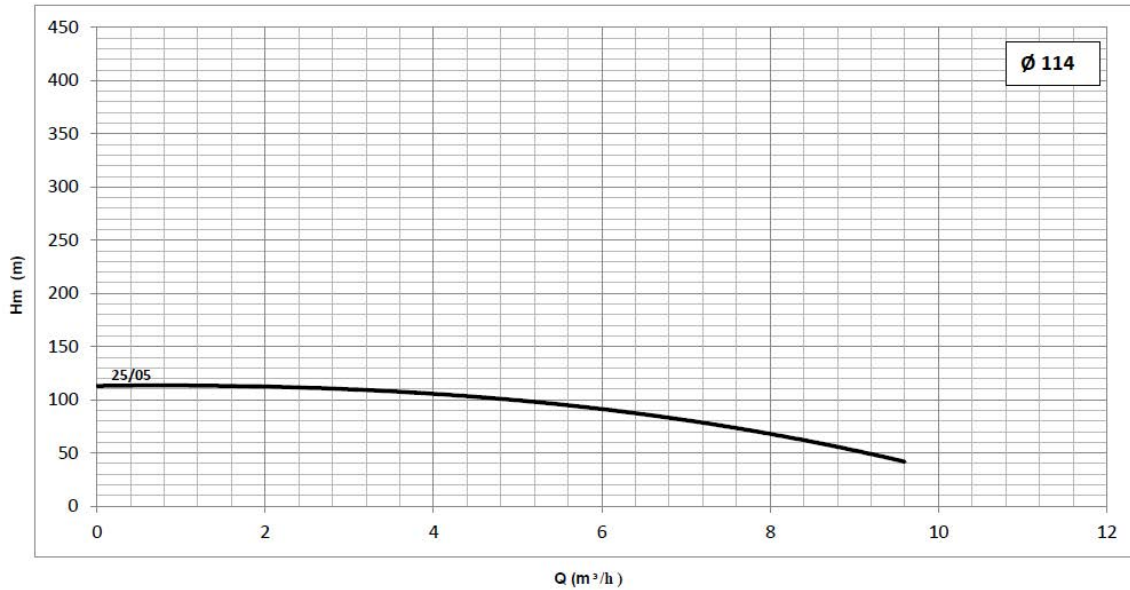
Revision no. _____
Page: 2

Company name
Respons. Department
Person in charge
Phone number
Fax no
E-mail address

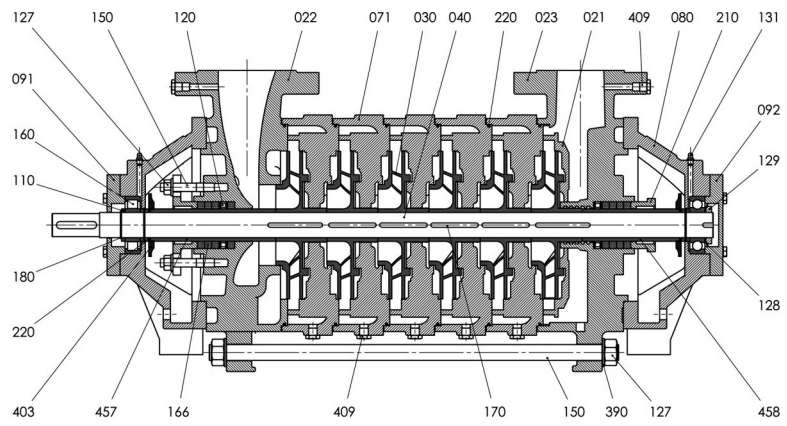
Receiver	From

Pump (GGG40)		Motor	(PN 40)		EFF(0.35%)	Q 114	Power			
Type	Quantity Impeller	hp	DNe	DNb	Safe Motor Power (hp)	rpm	Head (ft)		Gal/m	
GARS-25/05	5	5.2	1.25	1	5.5	3600	Max.	360.9	Min.	8.8
		5.4	1.25	1		3600	Rate	295.3	Rate	26.4
		5.8	1.25	1		3600	Min.	131.2	Max.	43.1

ARS 25-05 (3600RPM)



Parts List:



Discharge Diffuser	021	Grease Nipple	131
Suction Body	022	Casing Tiebolt	150
Discharge Body	023	Bearing	160
Impeller	030	Soft Packing	166
Shaft	040	Pin	170
Stage Body	071	Ring	180
Bearing Housing	080	Connection Support	210
Bearing Cover (Coupling)	091	O-Ring	220
Bearing Cover (Outside)	092	Washer	390
Bearing Setting Sleeve	110	Throw Protection	403
Flushing Ring	120	Bolt	409
Nut	127	Seal Sleeve (Suction)	457
Protection Sheet	128	Seal Sleeve (Discharge)	458
Nut	129		

Project	Project ID	Created by	Created on	Last update