



Technical Data

Multi Stage Pump - GARS-25/13

Revision no.

Page:
1

Receiver

From

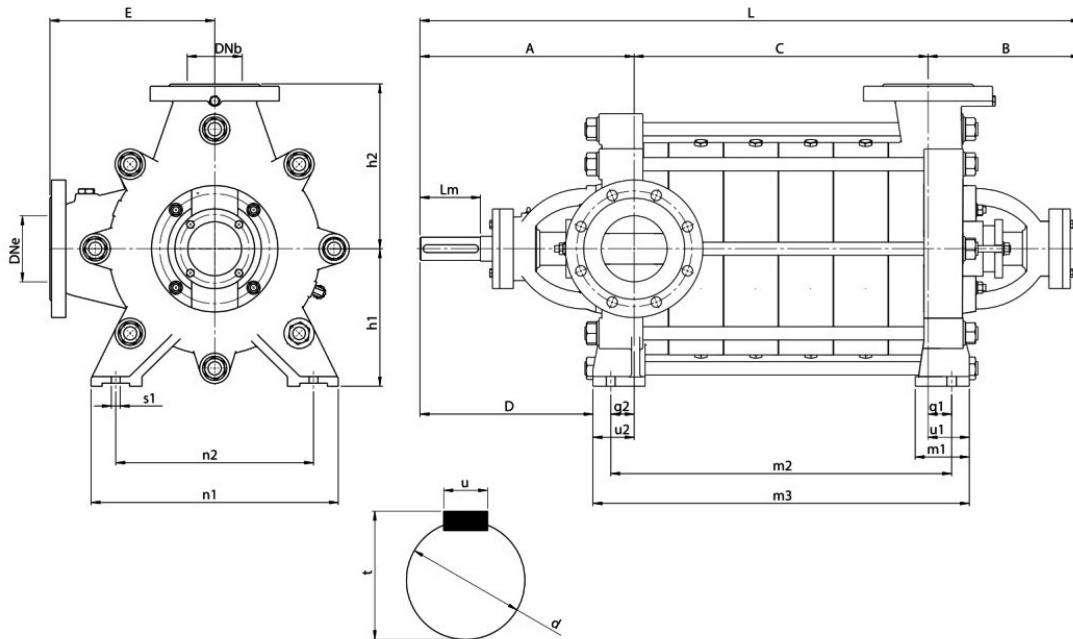
Company name
Respons. Department
Person in charge
Phone number
Fax no
E-mail address

| | |
|--|--|
| | |
| | |
| | |
| | |
| | |



Brand: Gol Pumps
Model: GARS-25/13

Dimensions:



| Inlet and Outlet Flange | |
|-------------------------|-----|
| DNe | DNb |
| 1.25 | 1 |

| Shaft Dimensions (inch) | | | |
|-------------------------|-----|-----|-----|
| d | Lm | t | u |
| 0.9 | 2.4 | 1.1 | 0.3 |

| Pump Installation Size (inch) | | | | | | | | | | | | | | | | |
|-------------------------------|-----|-----|-----|------|-----|-----|----|----|-----|-----|-----|-------|-------|----|-----|-----|
| A | B | D | E | L | h1 | h2 | q1 | q2 | u1 | u2 | m1 | m2 | m3 | n1 | n2 | s1 |
| 9.4 | 6.7 | 5.6 | 5.3 | C+16 | 4.4 | 5.3 | 3 | 3 | 3.9 | 3.9 | 2.6 | C+5.5 | C+7.7 | 7 | 4.7 | 0.6 |

| "C" Dimensions by Stage (inch) | | | | | | | | | | | | | | | | |
|--------------------------------|-----|-----|-----|------|------|------|----|------|----|------|------|------|------|------|------|--|
| 2 | 3 | 4 | 5 | 6 | 7 | 8 | 9 | 10 | 11 | 12 | 13 | 14 | 15 | 16 | 17 | |
| 4.2 | 5.7 | 7.3 | 8.8 | 10.4 | 11.9 | 13.4 | 15 | 16.5 | 18 | 19.6 | 21.1 | 22.6 | 24.2 | 25.7 | 27.2 | |

| | | | | |
|---------|------------|------------|------------|-------------|
| Project | Project ID | Created by | Created on | Last update |
|---------|------------|------------|------------|-------------|



Performance Curves

Multi Stage Pump - GARS-25/13

Revision no.

Page:

2

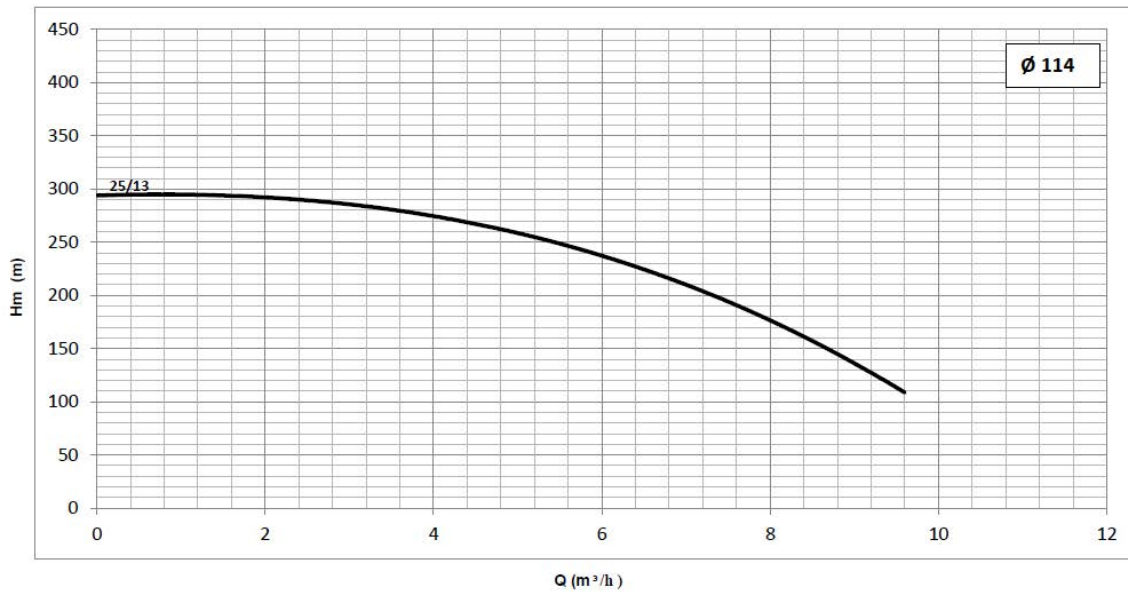
Receiver

From

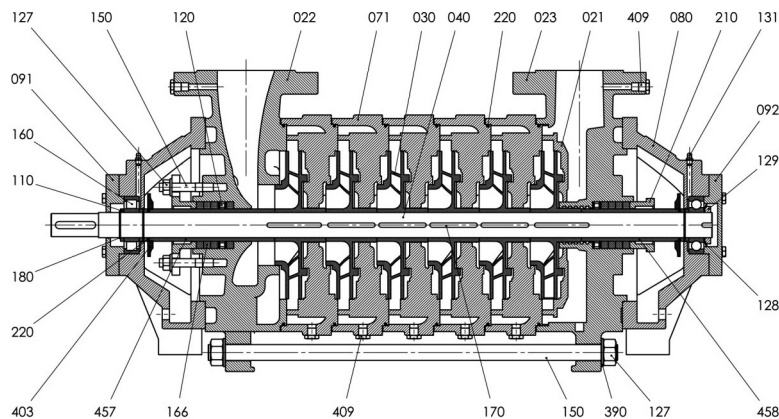
 Company name
 Respons. Department
 Person in charge
 Phone number
 Fax no
 E-mail address

| Pump (GGG40) | | Motor | (PN 40) | | EFF(0.35%) | Q 114 | Power | | | |
|--------------|-------------------|-------|---------|-----|-----------------------|-------|-----------|-------|-------|------|
| Type | Quantity Impeller | hp | DNe | DNb | Safe Motor Power (hp) | rpm | Head (ft) | | Gal/m | |
| GARS-25/13 | 13 | 13.6 | 1.25 | 1 | 15 | 3600 | Max. | 951.4 | Min. | 8.8 |
| | | 14.1 | 1.25 | 1 | | 3600 | Rate | 787.4 | Rate | 26.4 |
| | | 15 | 1.25 | 1 | | 3600 | Min. | 360.9 | Max. | 43.1 |

ARS 25-13 (3600RPM)



Parts List:



| | |
|--------------------------|-----|
| Discharge Diffuser | 021 |
| Suction Body | 022 |
| Discharge Body | 023 |
| Impeller | 030 |
| Shaft | 040 |
| Stage Body | 071 |
| Bearing Housing | 080 |
| Bearing Cover (Coupling) | 091 |
| Bearing Cover (Outside) | 092 |
| Bearing Setting Sleeve | 110 |
| Flushing Ring | 120 |
| Nut | 127 |
| Protection Sheet | 128 |
| Nut | 129 |

| | |
|-------------------------|-----|
| Grease Nipple | 131 |
| Casing Tiebolt | 150 |
| Bearing | 160 |
| Soft Packing | 166 |
| Pin | 170 |
| Ring | 180 |
| Connection Support | 210 |
| O-Ring | 220 |
| Washer | 390 |
| Throw Protection | 403 |
| Bolt | 409 |
| Seal Sleeve (Suction) | 457 |
| Seal Sleeve (Discharge) | 458 |

Project

Project ID

Created by

Created on

Last update