



Technical Data

Multi Stage Pump - GARS-80/04

Revision no.

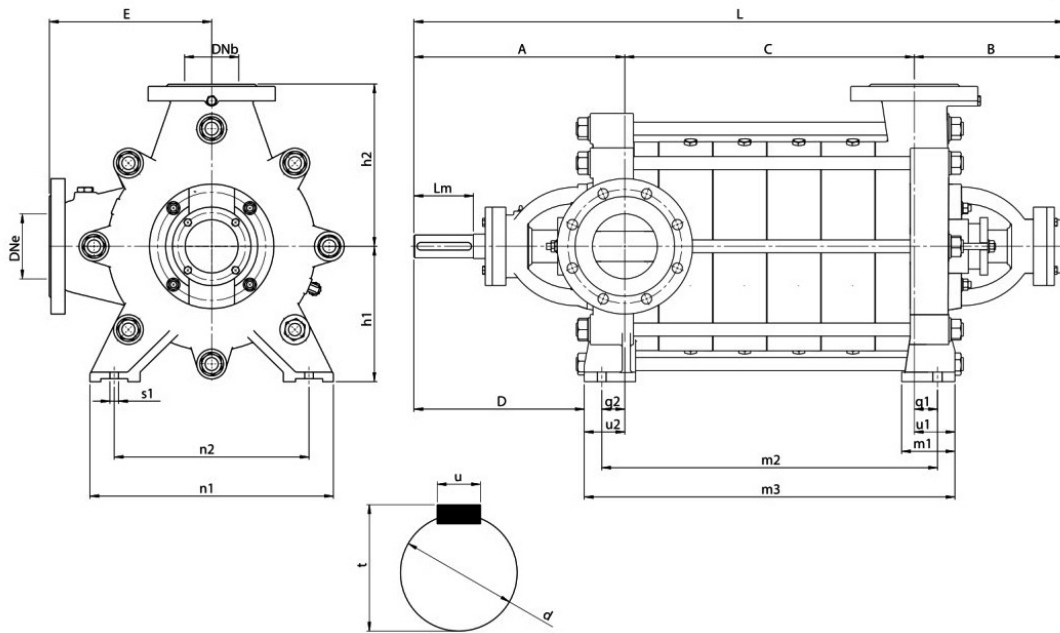
Page:
 1

	Receiver	From
Company name		
Respons. Department		
Person in charge		
Phone number		
Fax no		
E-mail address		



Brand: Gol Pumps
Model: GARS-80/04

Dimensions:



Inlet and Outlet Flange	
DNe	DNb
4	3

Shaft Dimensions (inch)			
d	Lm	t	u
1.5	3.1	1.6	0.4

Pump Installation Size (inch)																
A	B	D	E	L	h1	h2	q1	q2	u1	u2	m1	m2	m3	n1	n2	s1
12.7	9.6	10.2	10.4	C+22.4	8.3	10.4	1.6	1.6	2.4	2.4	3.5	C+2.9	C+4.8	16.3	13.4	0.6

"C" Dimensions by Stage (inch)																
2	3	4	5	6	7	8	9	10	11	12	13	14	15	16	17	
7.8	11.1	14.3	17.6	20.9	24.1	27.4	-	-	-	-	-	-	-	-	-	

Project	Project ID	Created by	Created on	Last update
---------	------------	------------	------------	-------------



Performance Curves

Multi Stage Pump - GARS-80/04

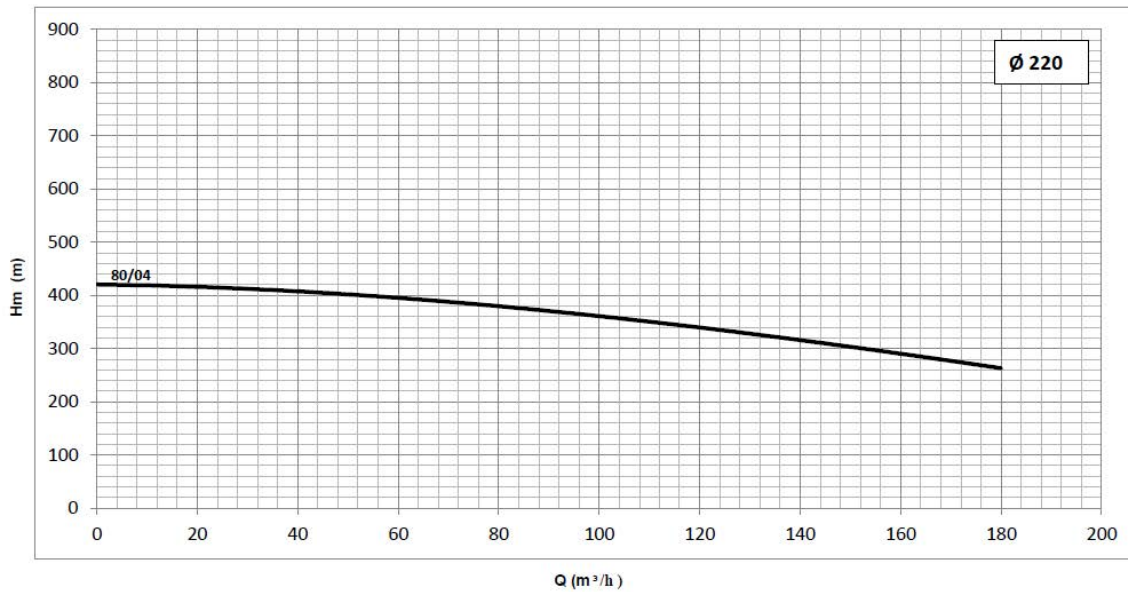
Revision no. _____
Page: 2

Company name
Respons. Department
Person in charge
Phone number
Fax no
E-mail address

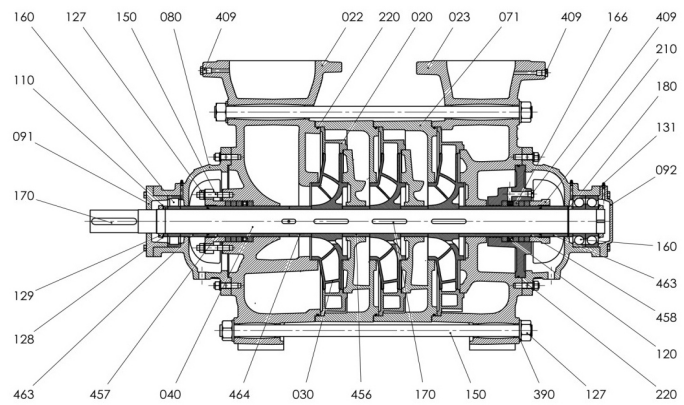
Receiver	From

Pump (GGG40)		Motor	(PN 40)		EFF(0.70%)	Q 220	Power			
Type	Quantity Impeller	hp	DNe	DNb	Safe Motor Power (hp)	rpm	Head (ft)		Gal/m	
GARS-80/04	4	184.9	4	3	230	3600	Max.	1328.7	Min.	176.1
		228.4	4	3		3600	Rate	1049.9	Rate	616.4
		250.2	4	3		3600	Min.	853	Max.	792.5

ARS 80-04 (3600RPM)



Parts List:



Diffuser	020
Suction Body	022
Discharge Body	023
Impeller	030
Shaft	040
Stage Body	071
Bearing Housing	080
Bearing Cover (Coupling)	091
Bearing Cover (Outside)	092
Bearing Setting Sleeve	110
Flushing Ring	120
Nut	127
Protection Sheet	128
Nut	129
Grease Nipple	131
Casing Tiebolt	150
Bearing	160
Soft Packing	166
Pin	170
Ring	180
Connection Support	210
O-Ring	220
Washer	390
Bolt	409
Impeller Stage Sleeve	456
Seal Sleeve (Suction)	457
Seal Sleeve (Discharge)	458
Setting Sleeve (Suction & Discharge)	463
Impeller Setting Sleeve	464

Project	Project ID	Created by	Created on	Last update